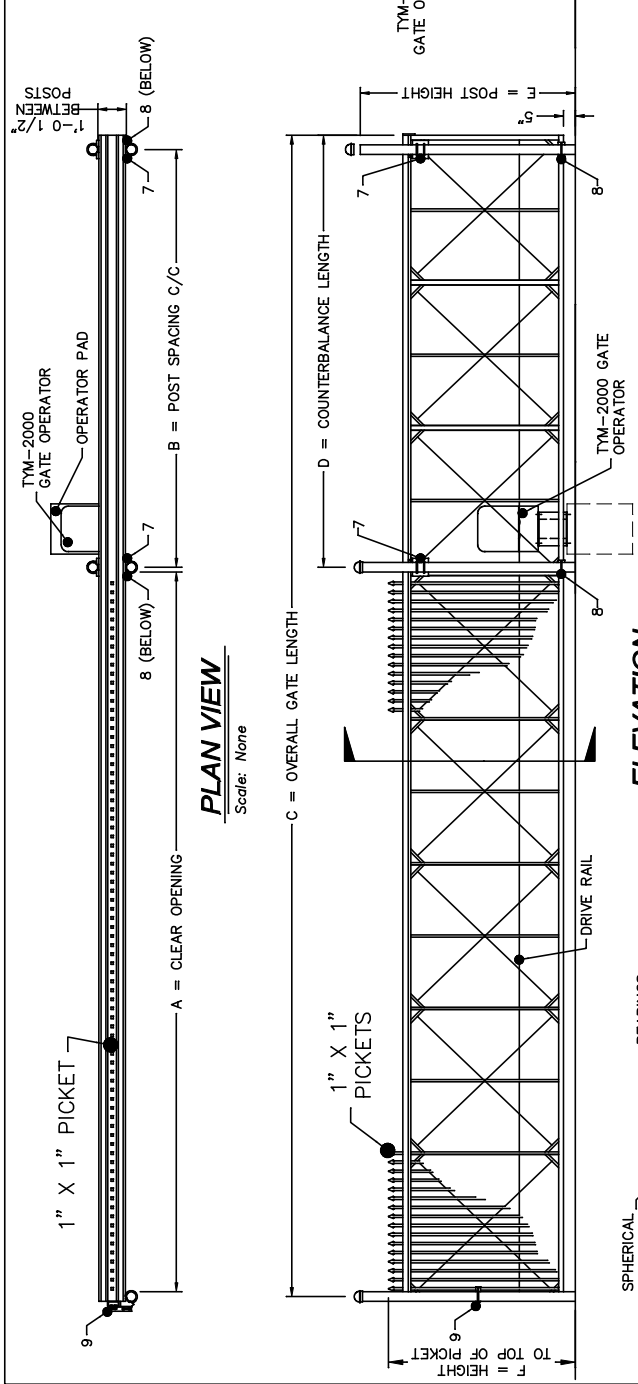
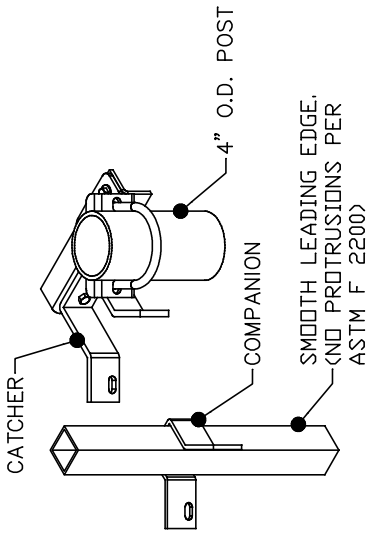
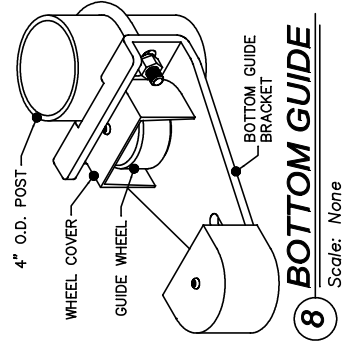
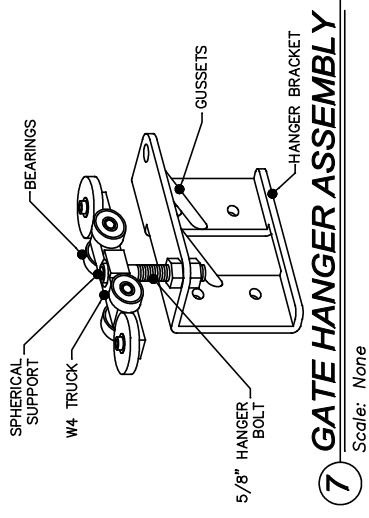
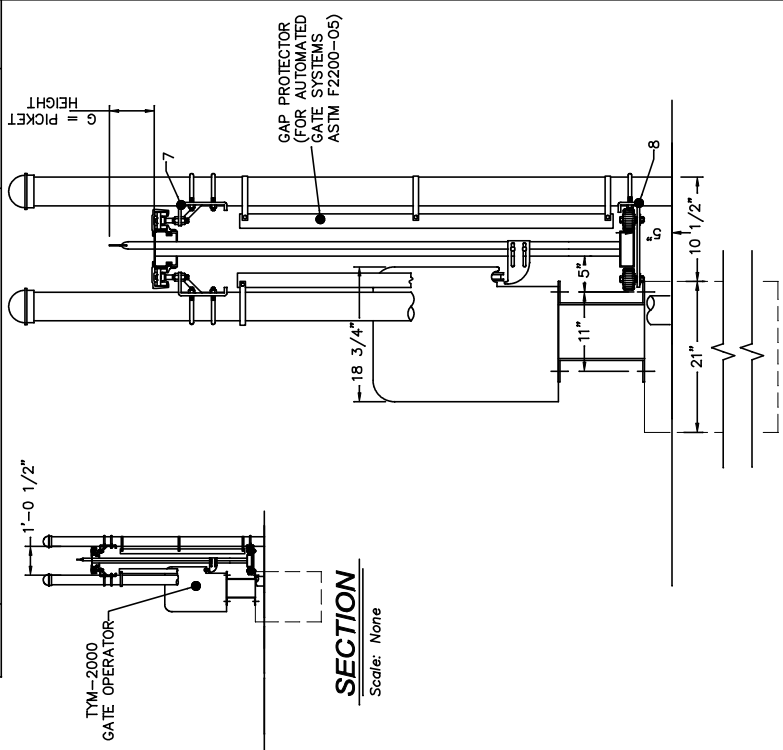


CRITICAL DIMENSION CHART			
MARK	DESCRIPTION	FORMULA	DIM.
A	CLEAR OPENING	A	-
B	COUNTERBALANCE POST SPACING C/C	$(A/2)-11"$	-
C	OVERALL GATE LENGTH	$A \times 1.5$	-
D	COUNTERBALANCE LENGTH	$A \times 0.5$	-
E	POST HEIGHT	$E = F$	-
F	HEIGHT TO TOP OF PICKET	F	-
G	PICKET HEIGHT	G	-



**ELEVATION**  
Scale: None

**SECTION**  
Scale: None



**OPERATOR SIDE ELEVATION**  
Scale: None

**TYMETAL CORP.**  
www.tymetal.com  
678 WILBUR AVENUE  
GREENWICH, N.Y. 12834  
PH: (800) 328-4283 - FX: (518) 692-9404

**TYM-2000 SECURITY GATE SYSTEM**  
(WITH ORNAMENTAL STRUCTURAL GATE)

- NOTES:
- FOR COMPLETE INFORMATION ON THE TYM-2000 OPERATOR VISIT THE "GATE OPERATORS" SECTION OF THE WEB SITE.
  - ALL FITTINGS STANDARDLY PROVIDED FOR 4" O.D. POSTS. OTHER SIZES AVAILABLE UPON REQUEST.
  - BARB ARMS (FOR BARBED WIRE) OPTIONAL.