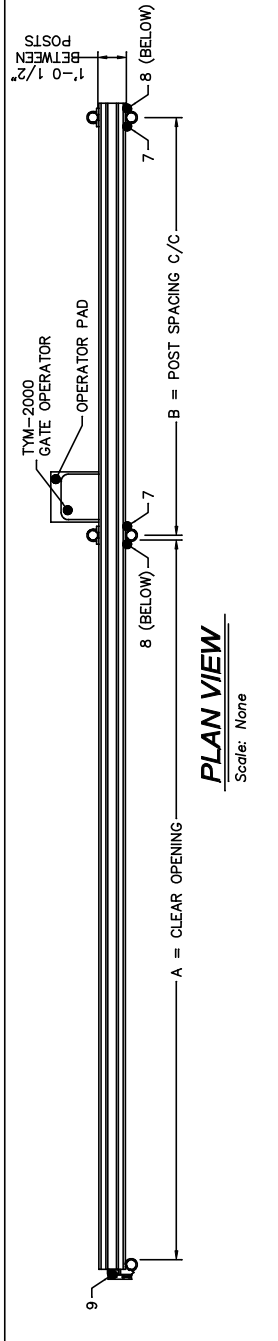
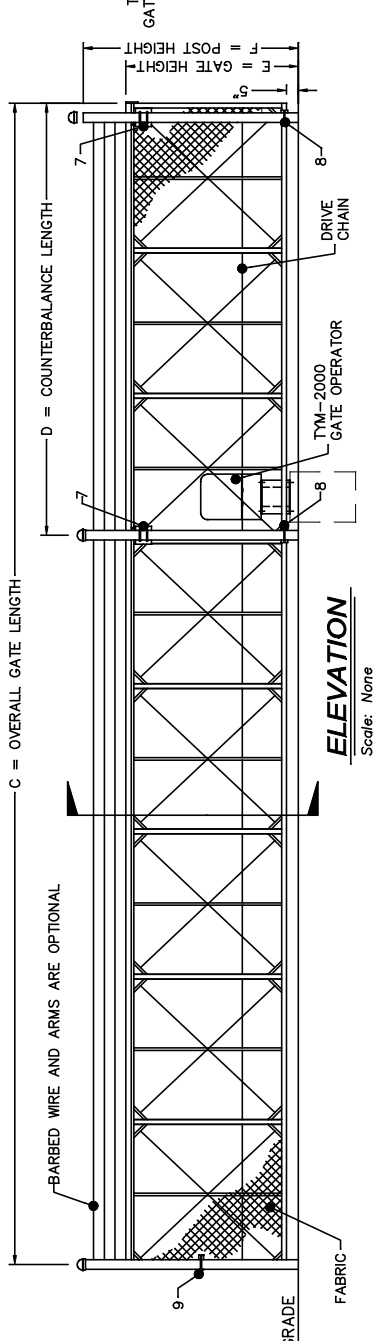


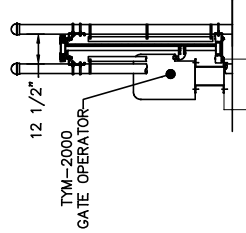
CRITICAL DIMENSION CHART		
MARK	DESCRIPTION	FORMULA DIM.
A	CLEAR OPENING	A
B	COUNTERBALANCE POST SPACING C/C (A/2)-11"	-
C	OVERALL GATE LENGTH	A x 1.5
D	COUNTERBALANCE LENGTH	A x 0.5
E	NOMINAL GATE HEIGHT	E
F	POST HEIGHT (W BARB ARMS)	E + 1'-8"
G	FABRIC HEIGHT	E - 1'-0"



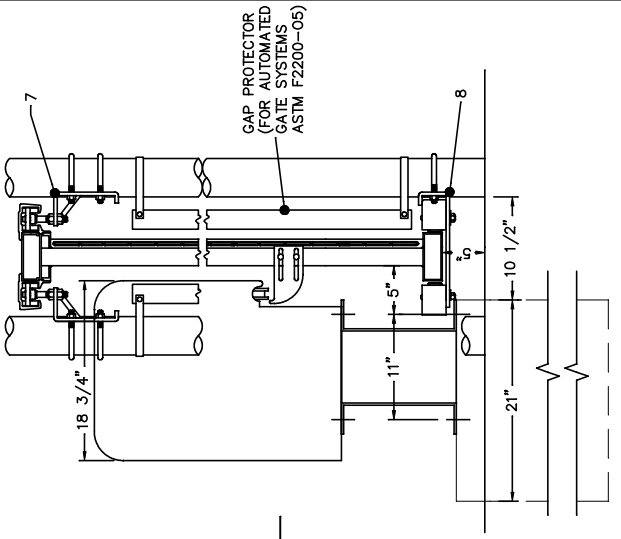
**PLAN VIEW**  
Scale: None



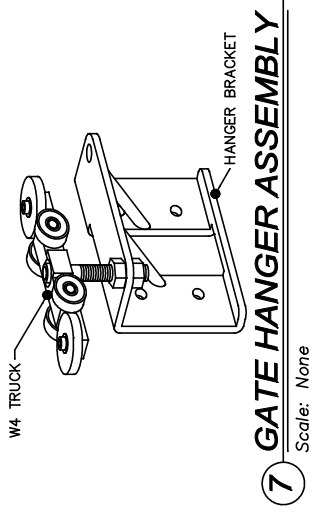
**ELEVATION**  
Scale: None



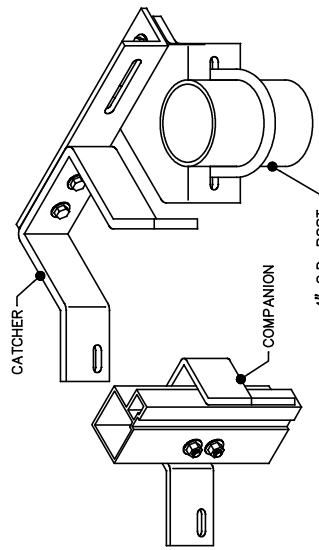
**SECTION**  
Scale: None



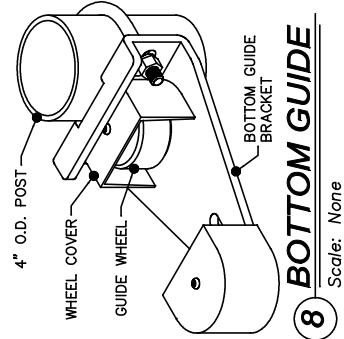
**OPERATOR SIDE ELEVATION**  
Scale: None



**7 GATE HANGER ASSEMBLY**  
Scale: None



**9 CATCH ASSEMBLY**  
Scale: None



**8 BOTTOM GUIDE**  
Scale: None

- NOTES:
- FOR COMPLETE INFORMATION ON THE TYM-2000 OPERATOR VISIT THE "GATE OPERATORS" SECTION OF THE WEB SITE.
  - ALL FITTINGS STANDARDLY PROVIDED FOR 4" O.D. POSTS. OTHER SIZES AVAILABLE UPON REQUEST.
  - BARB ARMS (FOR BARBED WIRE) OPTIONAL.



678 WILBUR AVENUE  
GREENWICH, N.Y. 12834  
PH: (800) 328-4283 - FX: (518) 692-9404  
www.tymetal.com

**TYM-2000 SECURITY GATE SYSTEM**  
(WITH STRUCTURAL GATE - CHAIN LINK)