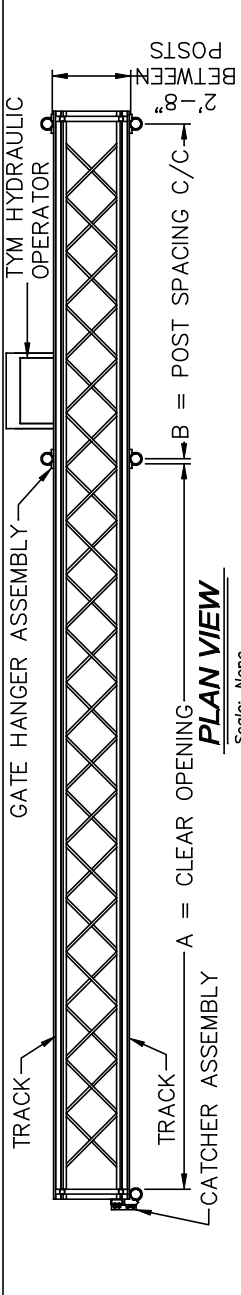
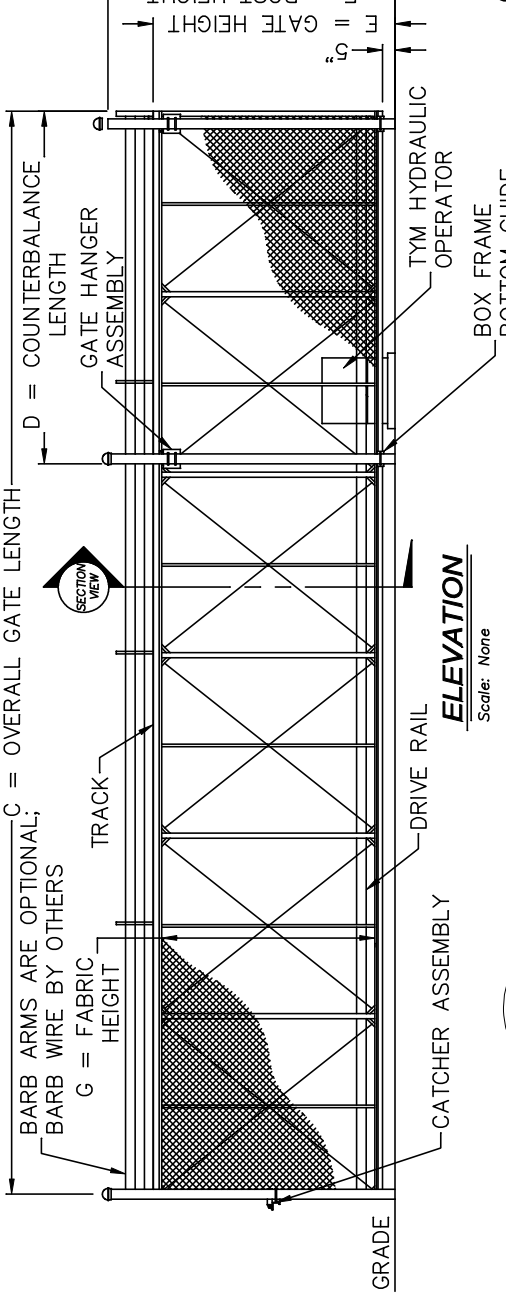


CRITICAL DIMENSION CHART			
MARK	DESCRIPTION	FORMULA	DIM.
A	CLEAR OPENING	A	-
B	COUNTERBALANCE POST SPACING C/C	$(A/2)-11"$	-
C	OVERALL GATE LENGTH	$A \times 1.5$	-
D	COUNTERBALANCE LENGTH	$A \times 0.5$	-
E	NOMINAL GATE HEIGHT	E	-
F	POST HEIGHT (W/ BARB ARMS)	$E + 1'-6"$	-
G	FABRIC HEIGHT	$E - 1'-0"$	-



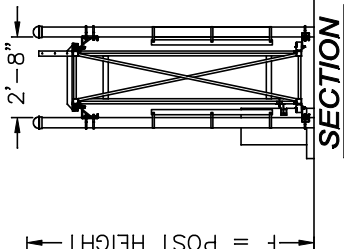
**PLAN VIEW**

Scale: None



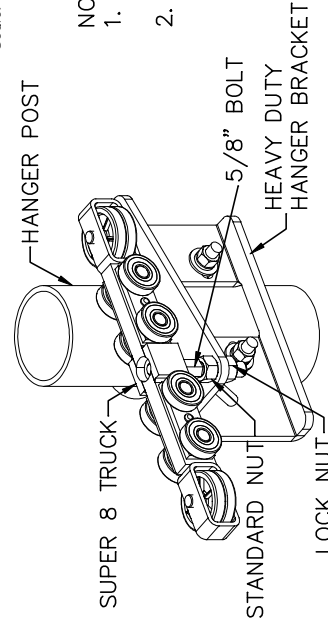
**ELEVATION**

Scale: None



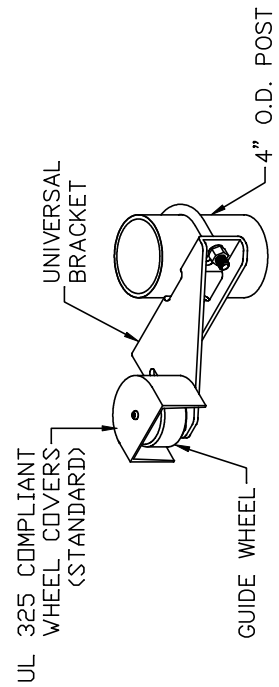
**SECTION**

Scale: None



**GATE HANGER ASSEMBLY**

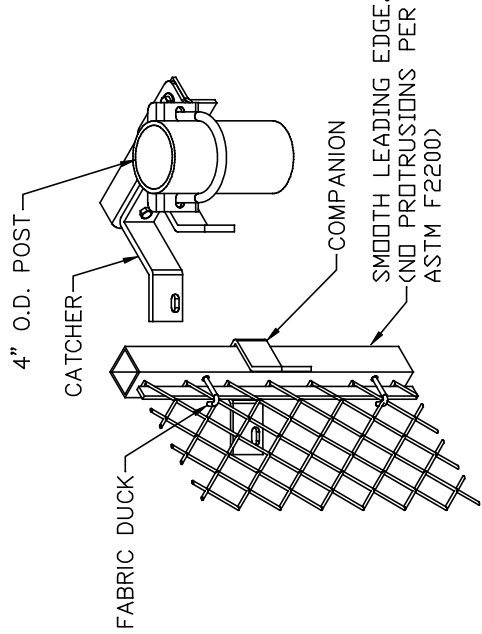
Scale: None



**BOX FRAME BOTTOM GUIDE**

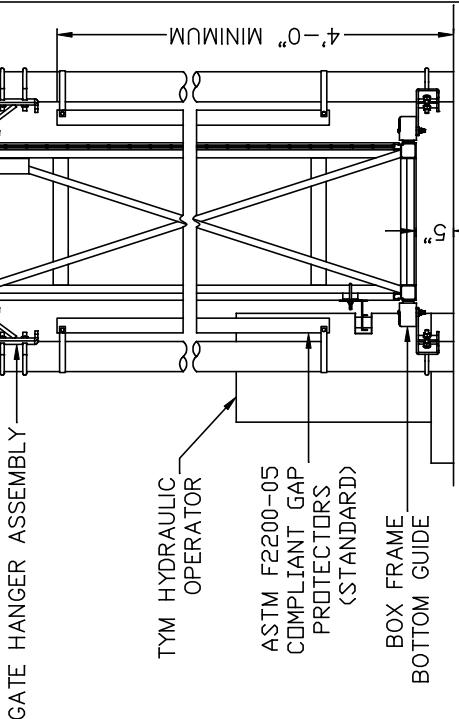
Scale: None

- NOTES:
1. ALL FITTINGS STANDARDLY PROVIDED FOR 4" O.D. POSTS. OTHER SIZES AVAILABLE UPON REQUEST.
  2. BARB ARMS (FOR BARBED WIRE) OPTIONAL.



**CATCHER ASSEMBLY**

Scale: None



**ENLARGED SECTION**

Scale: None

678 WILBUR AVENUE  
GREENWICH, N.Y. 12834  
PH: (800) 328-4283 - FX: (518) 692-9404  
www.tymetal.com

**TYM-HYD-B SECURITY GATE SYSTEM**  
(WITH BOX FRAME CANTILEVER GATE)