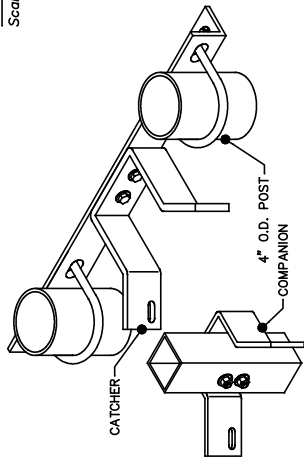
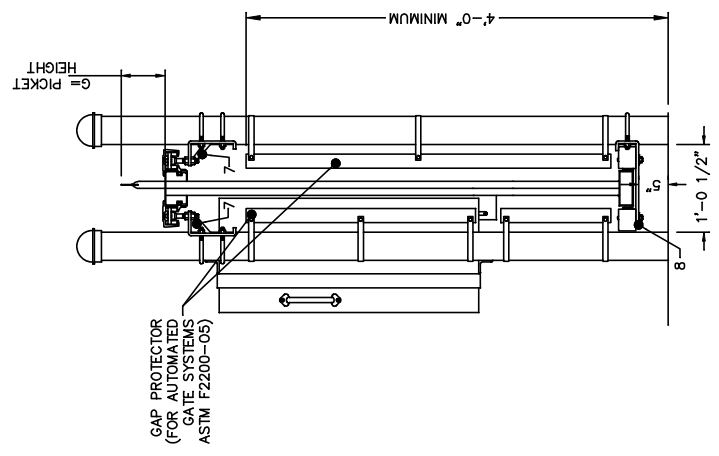
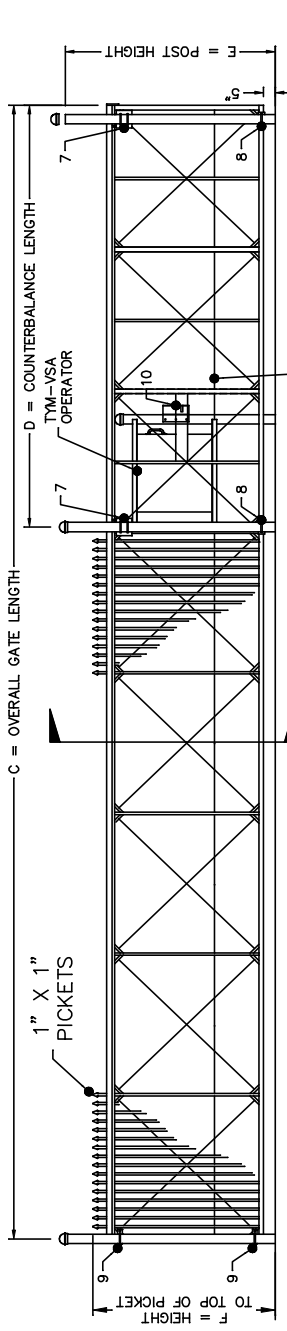
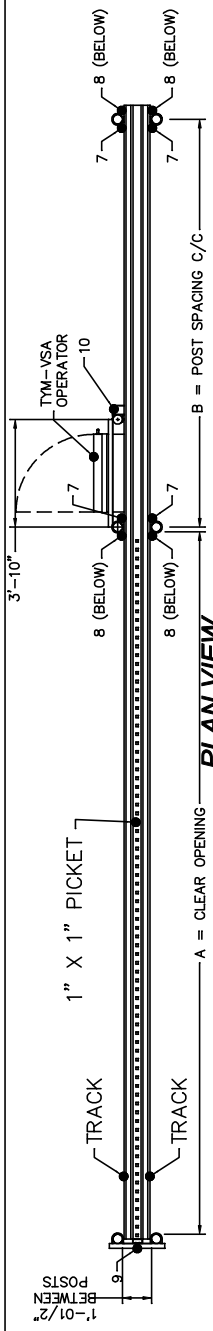
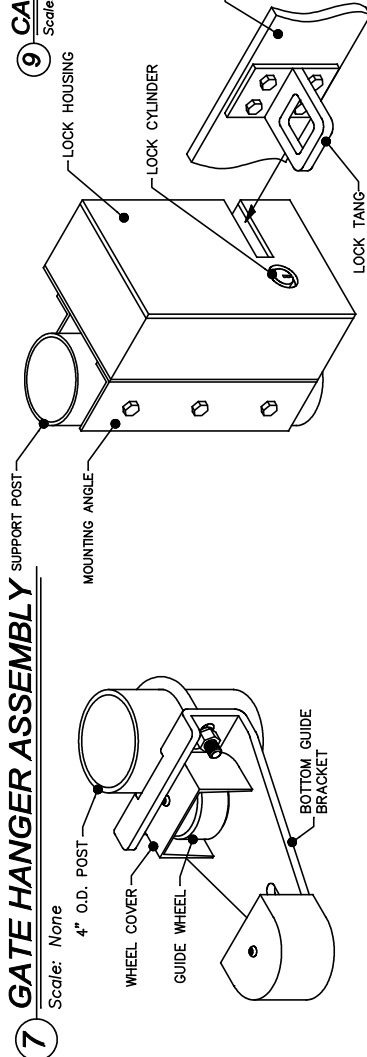
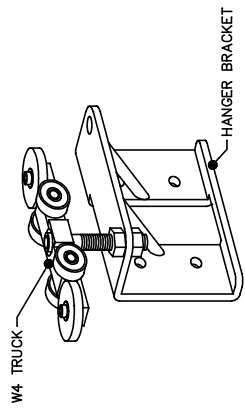


CRITICAL DIMENSION CHART			
MARK	DESCRIPTION	FORMULA	DIM.
A	CLEAR OPENING	A	-
B	COUNTERBALANCE POST SPACING C/C	(A/2)-11"	-
C	OVERALL GATE LENGTH	A x 1.5	-
D	COUNTERBALANCE LENGTH	A x 0.5	-
E	POST HEIGHT	E = F	-
F	HEIGHT TO TOP OF PICKET	F	-
G	PICKET HEIGHT	G	-



NOTES:
1. FOR COMPLETE INFORMATION ON THE T/M-VSA OPERATOR VISIT THE "GATE OPERATORS" SECTION OF THE WEB SITE.
2. ALL FITTINGS STANDARDLY PROVIDED FOR 4" O.D. POSTS. OTHER SIZES AVAILABLE UPON REQUEST.
3. BARB ARMS (FOR BARBED WIRE) OPTIONAL.



NOTE: 1050D LOCK REQUIRES SEPARATE 115V POWER SUPPLY.

TYMETAL CORP.
www.tymetal.com

678 WILBUR AVENUE
GREENWICH, N.Y. 12834
PH: (800) 328-4283 - FX: (518) 692-9404

TIGER (T/M-VSA) SECURITY GATE SYSTEM
(WITH ORNAMENTAL STRUCTURAL GATE)