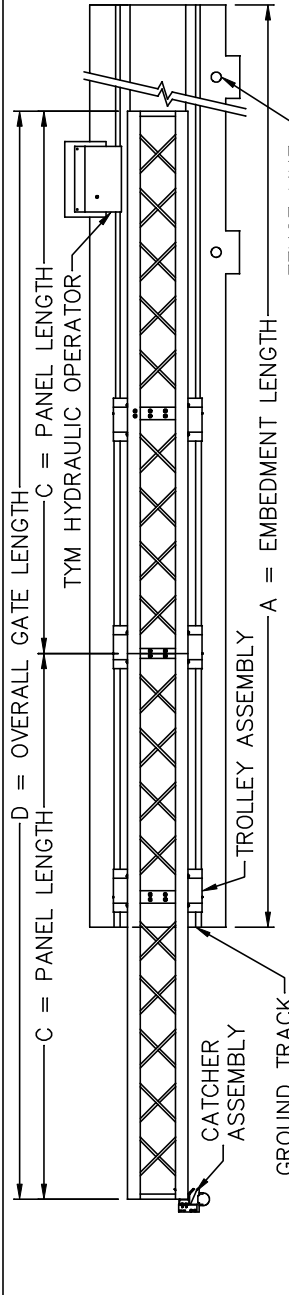
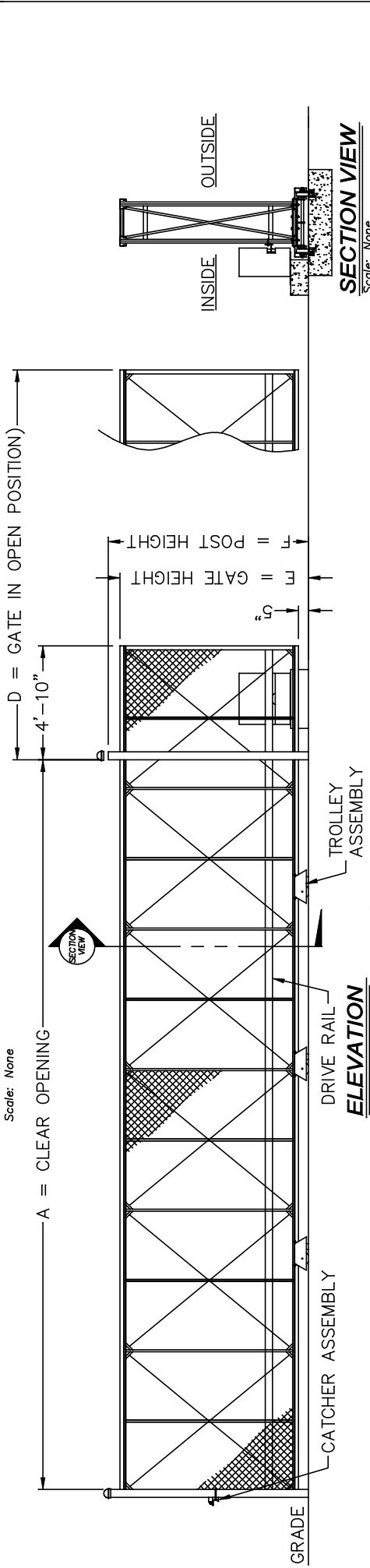


| CRITICAL DIMENSION CHART |                                      |
|--------------------------|--------------------------------------|
| A                        | CLEAR OPENING                        |
| B                        | EMBEDMENT LENGTH<br>(2 x A) - 13'-0" |
| C                        | PANEL LENGTH<br>VARIES - SEE NOTE #2 |
| D                        | OVERALL GATE LENGTH<br>A + 5'-0"     |
| E                        | GATE HEIGHT                          |
| F                        | POST HEIGHT<br>E + G                 |
| G                        | FABRIC HEIGHT<br>G                   |



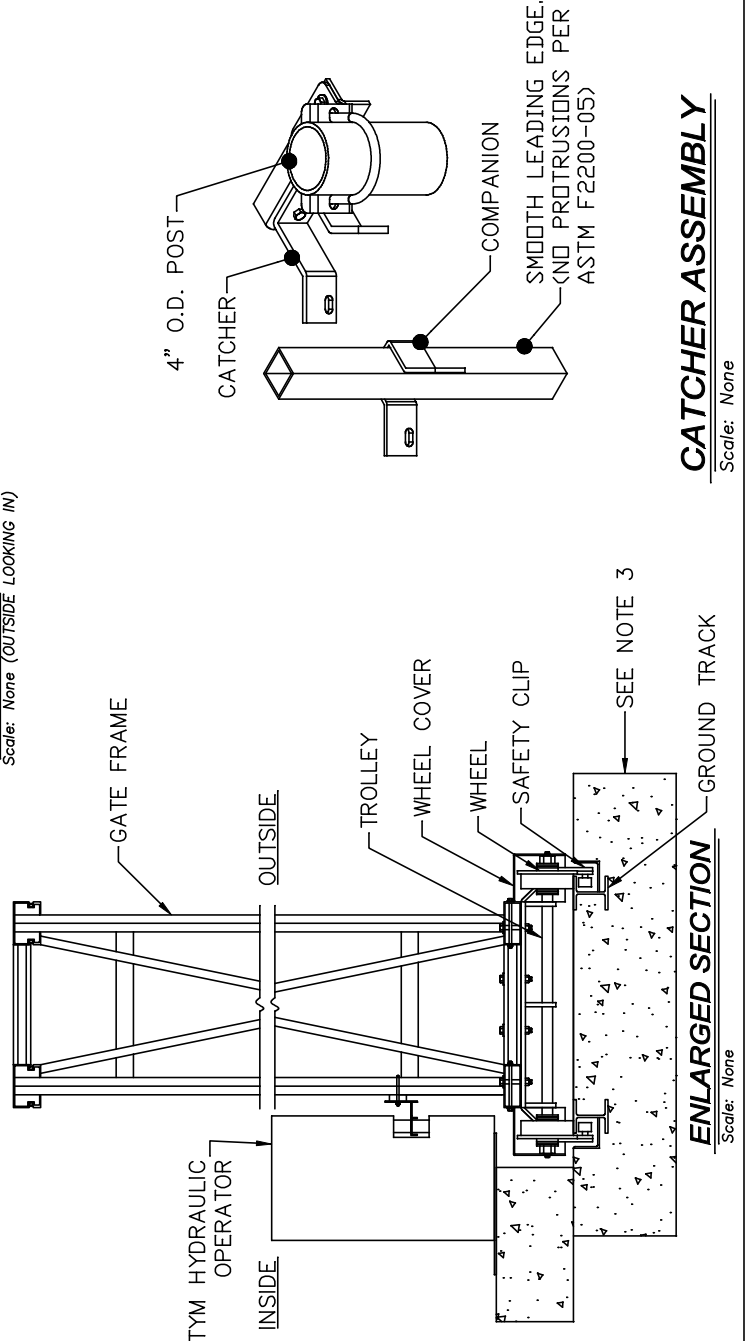
**PLAN VIEW**  
Scale: None



**ELEVATION**  
Scale: None (OUTSIDE LOOKING IN)



Scale: None



**ENLARGED SECTION**  
Scale: None

- NOTE:
- EMBEDDED W4 X 13 I-BEAM TRACK SYSTEM PROVIDED BY OTHERS UNLESS OTHERWISE NOTED.
  - THE TOTAL NUMBER OF PANELS REQUIRED WILL VARY DEPENDING ON THE OVERALL GATE LENGTH AND WILL BE DETERMINED AS FOLLOWS: DIVIDE THE OVERALL GATE LENGTH BY 48 AND ROUND UP TO THE NEAREST WHOLE NUMBER.
  - CONCRETE FOOTING SHALL BE SIZED AS REQUIRED BY LOCAL ENGINEER IN ACCORDANCE WITH ALL JOB SPECIFICATIONS.
  - BARB ARMS ARE OPTIONAL.

**TYMETAL CORP.**  
www.tymetal.com

678 WILBUR AVENUE  
GREENWICH, N.Y. 12834  
PH: (800) 328-4283 - FX: (518) 692-9404

TYM-HID-BR - BOX FRAME ROLLER GATE - CHAIN LINK

**CATCHER ASSEMBLY**  
Scale: None