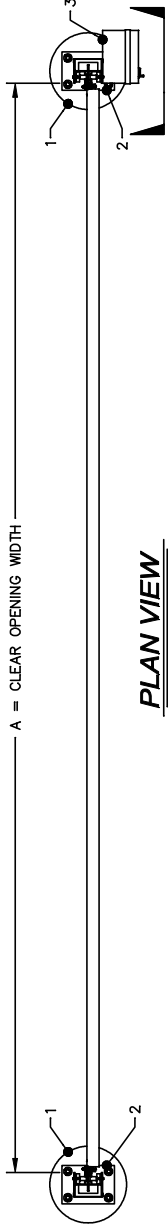




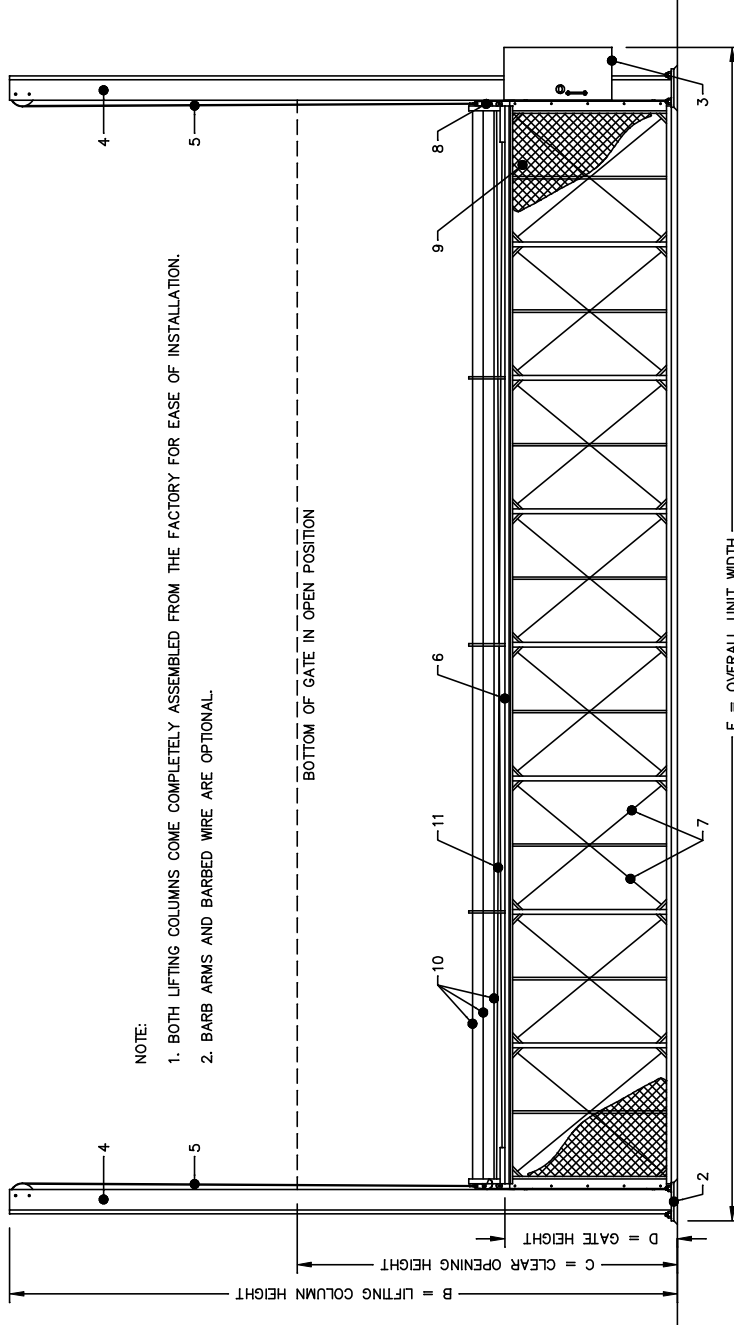
678 WILBUR AVENUE
GREENWICH, N.Y. 12834
PH: (800) 328-4283 - FX: (518) 692-9404

www.tymetal.com

TYM V. VERTICAL LIFT GATE SYSTEM

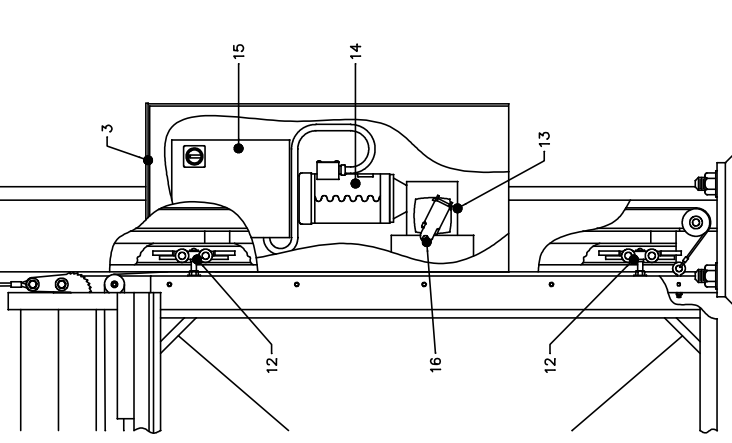


PLAN VIEW
Scale: None



ELEVATION
Scale: None

NOTE:
1. BOTH LIFTING COLUMNS COME COMPLETELY ASSEMBLED FROM THE FACTORY FOR EASE OF INSTALLATION.
2. BARB ARMS AND BARBED WIRE ARE OPTIONAL.



DRIVE ASSEMBLY
Scale: None

VERTICAL LIFT GATE

COMPONENT REFERENCES		MARK	DESCRIPTION	NOTES:	NOTES:
1	CONCRETE COLUMN FOOTING	9	IN FILL MATERIAL	PRE-ENGINEERED BY TYMETAL	AS REQUIRED BY OWNER
2	LIFTING COLUMN BASE PLATE	10	BARBED WIRE		SEE NOTE #2
3	MOTOR BOX	11	ANTI-RACKING CABLES		2 REQUIRED
4	W12 x 53 LIFTING COLUMN	12	W4 TRUCK ASSEMBLY	SEE NOTE #1	4 REQUIRED
5	PRIMARY LIFTING CABLE	13	GEAR BOX	TYP. AT ENDS OF GATE FRAME	
6	TOP PRIMARY MEMBER	14	MOTOR		
7	3/16" S.S. CABLE	15	CONTROLLER		
8	SAFETY CAM	16	CRANK HANDLE		FOR MANUAL OPERATION

CRITICAL DIMENSION CHART

MARK	DESCRIPTION	FORMULA	DIMENSION
A	CLEAR OPENING	A	-
B	LIFTING COLUMN HEIGHT	C + D + 4'-0"	-
C	CLEAR OPENING HEIGHT	G	-
D	NOMINAL GATE HEIGHT	D	-
E	OVERALL UNIT WIDTH	A + 2'-11"	-