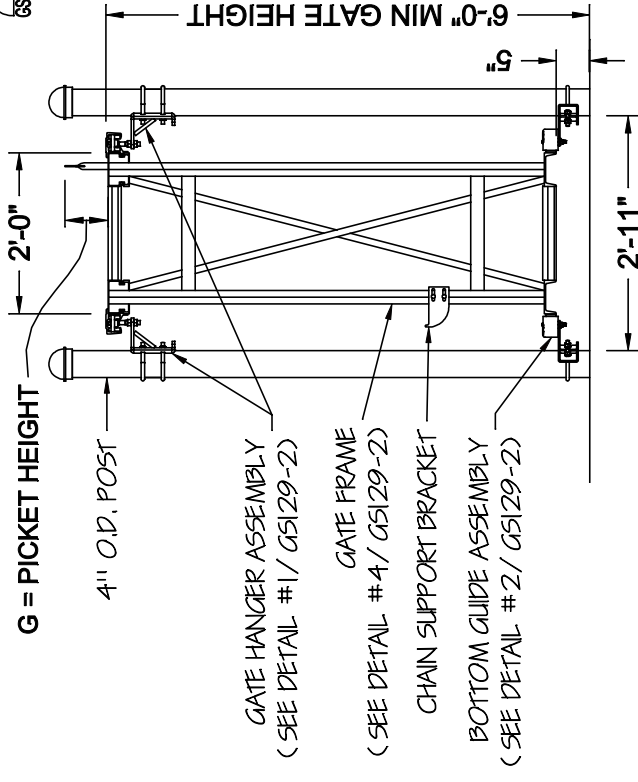


NOTES:
 1. ALL FITTINGS PROVIDED FOR 4" O.D. POSTS. OTHER SIZES AVAILABLE UPON REQUEST.
 2. GATE ELEVATION IS VIEWED FROM THE OUTSIDE OF THE SECURE AREA LOOKING IN.

2 ELEVATION
 Scale: None



3 ASSEMBLY SECTION
 Scale: None

CRITICAL DIMENSION CHART

A	B	C	D	E	F	G
CLEAR OPENING	COUNTERBALANCE POST SPACING C/C	OVERALL GATE LENGTH	COUNTERBALANCE LENGTH	NOMINAL GATE HEIGHT	POST HEIGHT	PICKET HEIGHT
A	(A/2) - 11"	A x 1.5	A x 0.5	E	E + 6"	6" or as spec'd

GS129-2

ARCHITECT/ENGINEER:

CONTRACTOR:

Box Frame Cantilever Slide Gate Details

SUBJECT:

PROJECT:

DRAWING NUMBER:

SHEET NUMBER:

2 of 3

THICK-RED Box Frame Standard Part No. DIRECTOR/CAD FILE:

R0

REVISION LEVEL:

As Noted

SCALE:

DATE: 3/15/17

CHECKED BY: BGG

DATE: 3/15/17

DRAWN BY: NJD

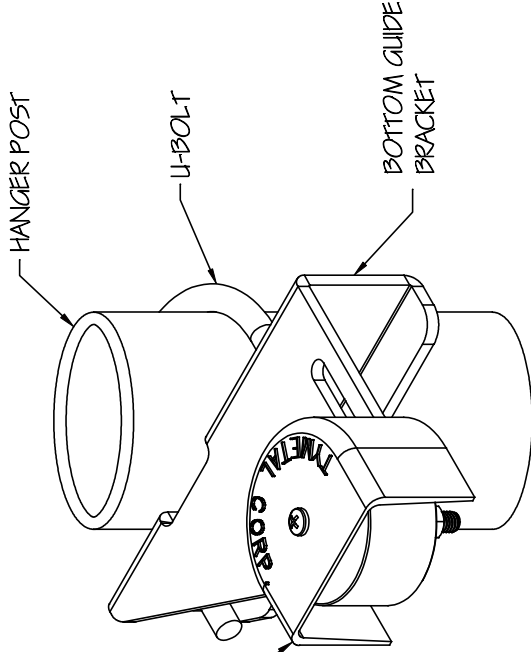
PH: (800) 328-4283 - FX: (518) 692-9404

GREENWICH, N.Y. 12834

678 WILBUR AVENUE

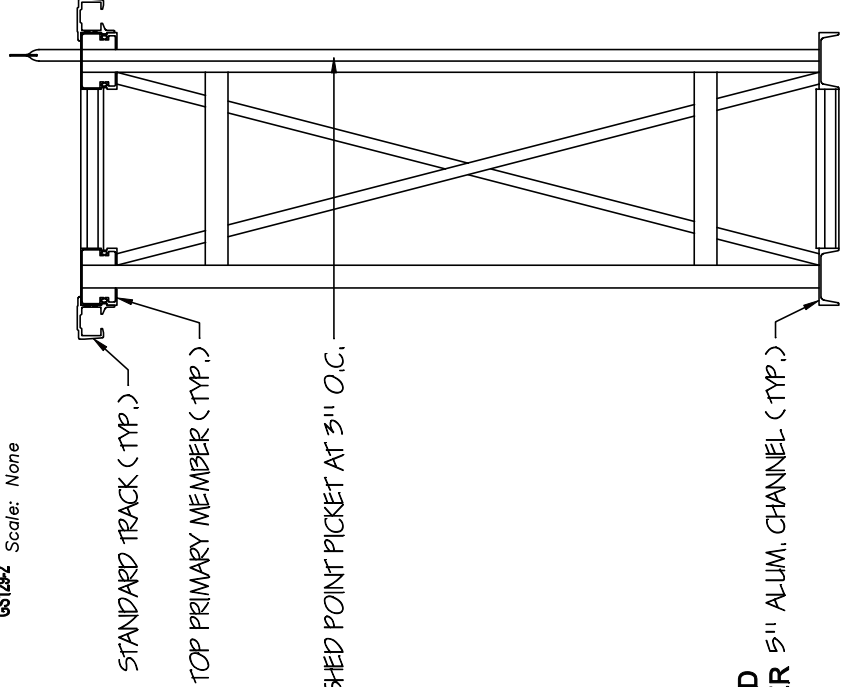
WWW.TYMETAL.COM

TYMETAL CORP.



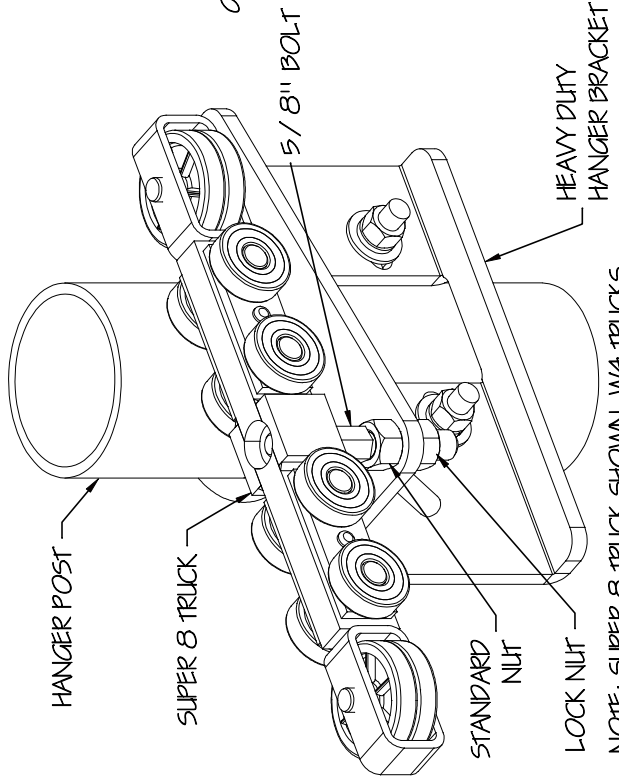
2 BOTTOM GUIDE ASSEMBLY

Scale: None



4 GATE FRAME SECTION

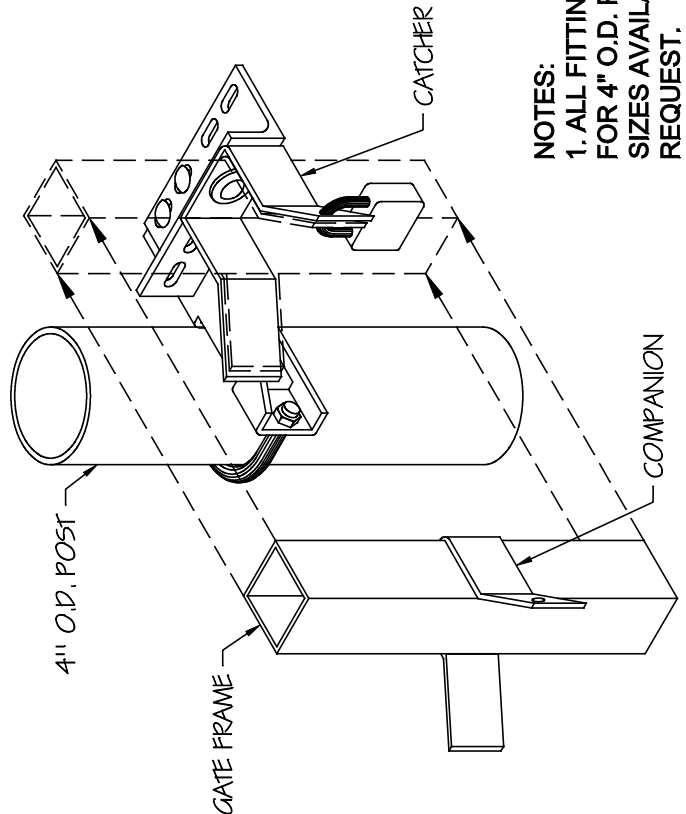
Scale: None



1 GATE HANGER ASSEMBLY

Scale: None

NOTE: SUPER 8 TRUCK SHOWN, W4 TRUCKS MAY BE USED FOR LIGHTER GATES.



3 CATCH ASSEMBLY

Scale: None

NOTES:
1. ALL FITTINGS PROVIDED FOR 4\"/>

GS129-3

ARCHITECT/ENGINEER:

REVISION LEVEL: R0

TYMETAL CORP.
678 WILBUR AVENUE
GREENWICH, N.Y. 12834
PH: (800) 328-4283 - FX: (518) 692-9404
www.tymetal.com

DRAWING NUMBER:

TYM-VSA Gate Operator

As Noted

SCALE:

SHEET NUMBER:

SUBJECT:

CHECKED BY: BGG

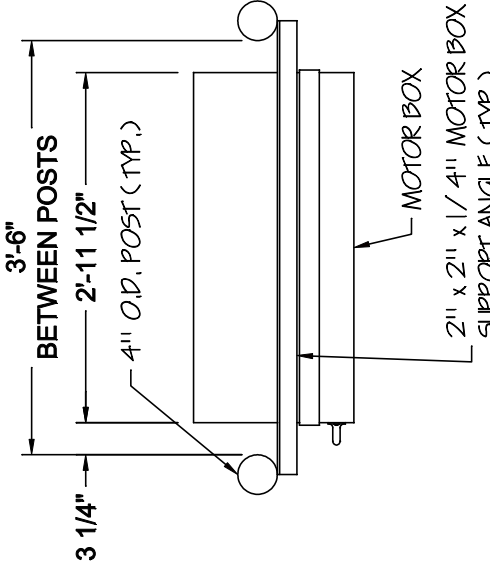
DATE: 3/15/17

THICK-RED for Frame Standard Part No
DIRECTOR\CAD FILE:

PROJECT:

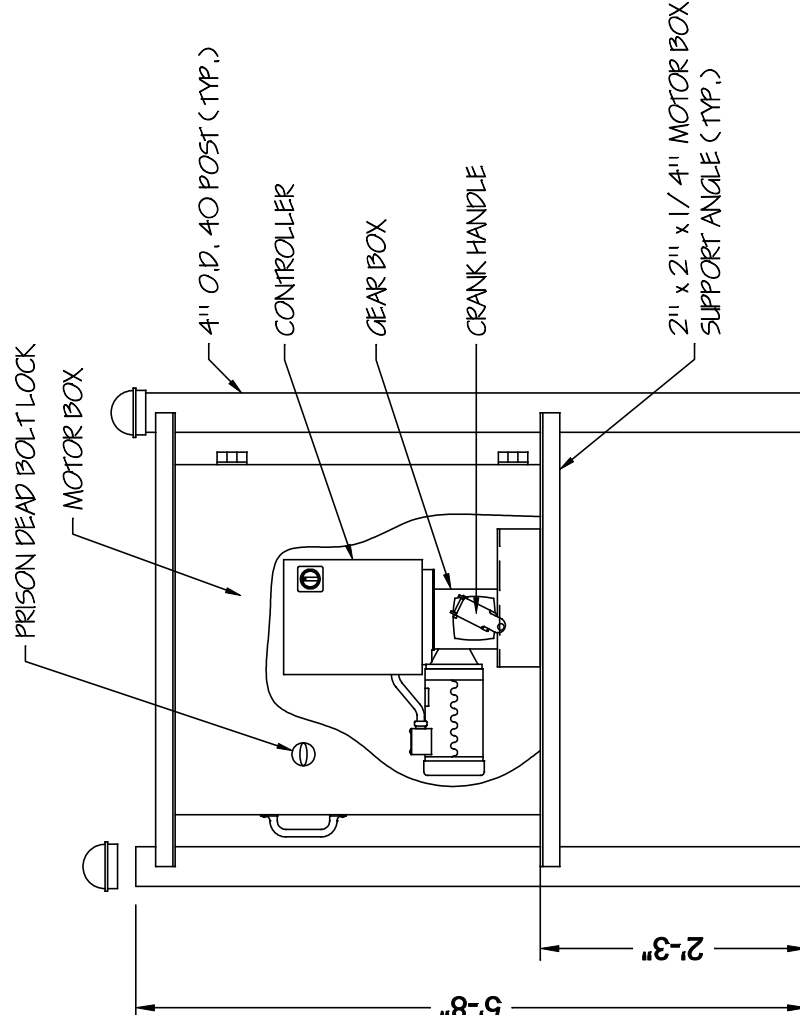
DRAWN BY: NJD

DATE: 3/15/17



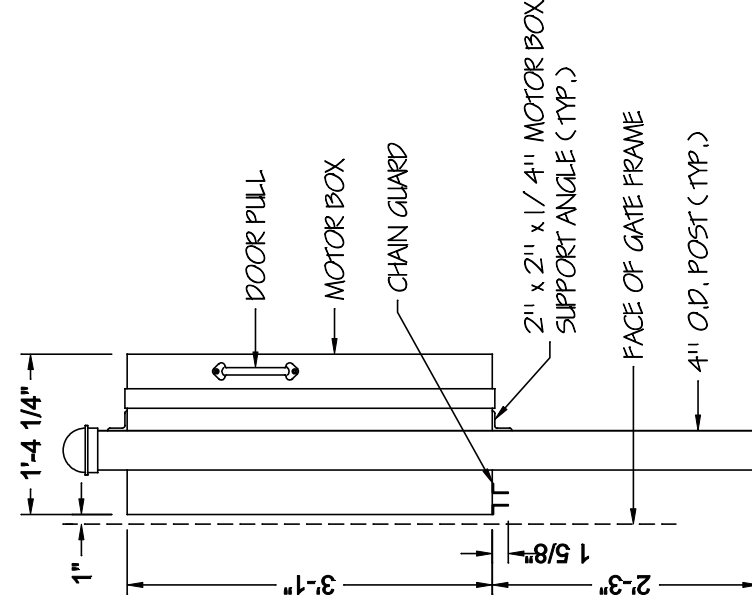
1 OPERATOR PLAN

Scale: None



3 OPERATOR FRONT ELEVATION

Scale: None



4 OPERATOR SIDE ELEVATION

Scale: None