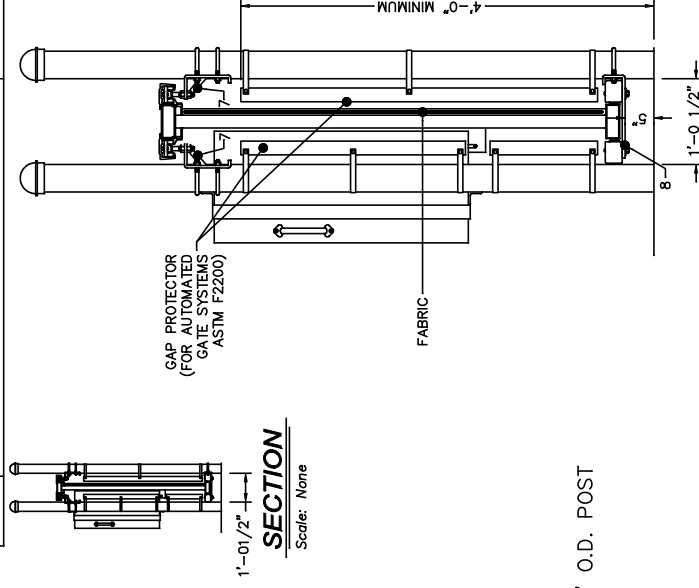
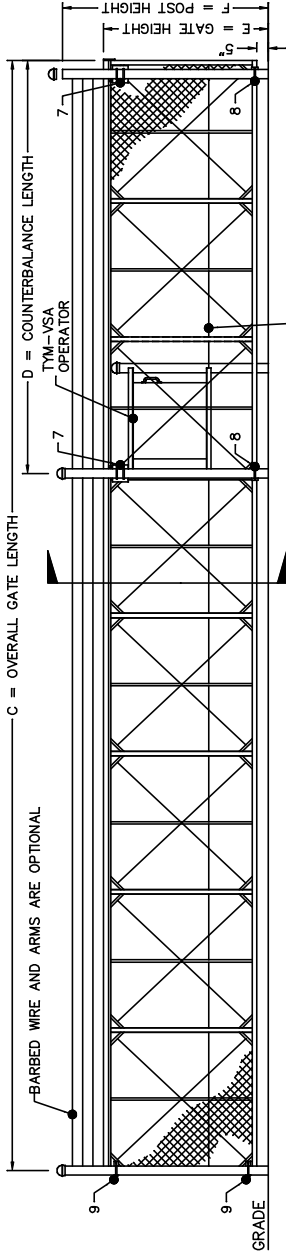
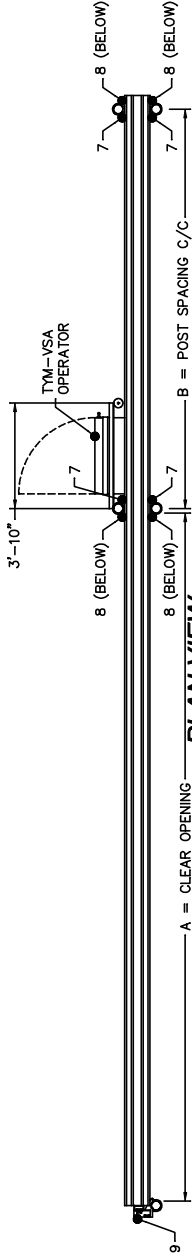


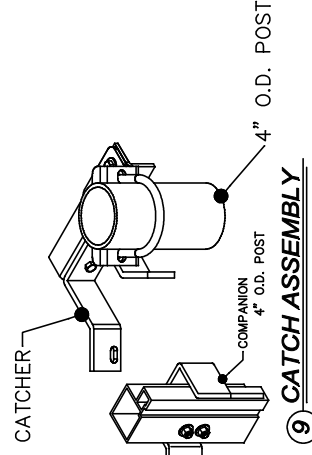
CRITICAL DIMENSION CHART

MARK	DESCRIPTION	FORMULA	DIM.
A	CLEAR OPENING	A	-
B	COUNTERBALANCE POST SPACING C/C	(A/2)-11"	-
C	OVERALL GATE LENGTH	A x 1.5	-
D	COUNTERBALANCE LENGTH	A x 0.5	-
E	NOMINAL GATE HEIGHT	E	-
F	POST HEIGHT (W BARB ARMS)	E + 1'-6"	-
G	FABRIC HEIGHT	E - 1'-0"	-

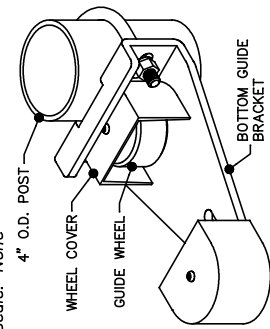
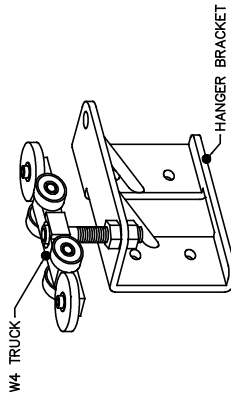


ENLARGED SECTION

Scale: None



NOTES:
1. FOR COMPLETE INFORMATION ON THE TYM-VSA OPERATOR VISIT THE "GATE OPERATORS" SECTION OF THE WEB SITE.
2. ALL FITTINGS STANDARDLY PROVIDED FOR 4" O.D. POSTS. OTHER SIZES AVAILABLE UPON REQUEST.
3. BARB ARMS (FOR BARBED WIRE) OPTIONAL.



TYMETAL CORP.
www.tymetal.com
678 WILBER AVENUE
GREENWICH, N.Y. 12834
PH: (800) 328-4283 - FX (518) 692-9404

TYM-VSA-1S STRUCTURAL GATE SYSTEM
(WITH STRUCTURAL GATE - CHAIN LINK)