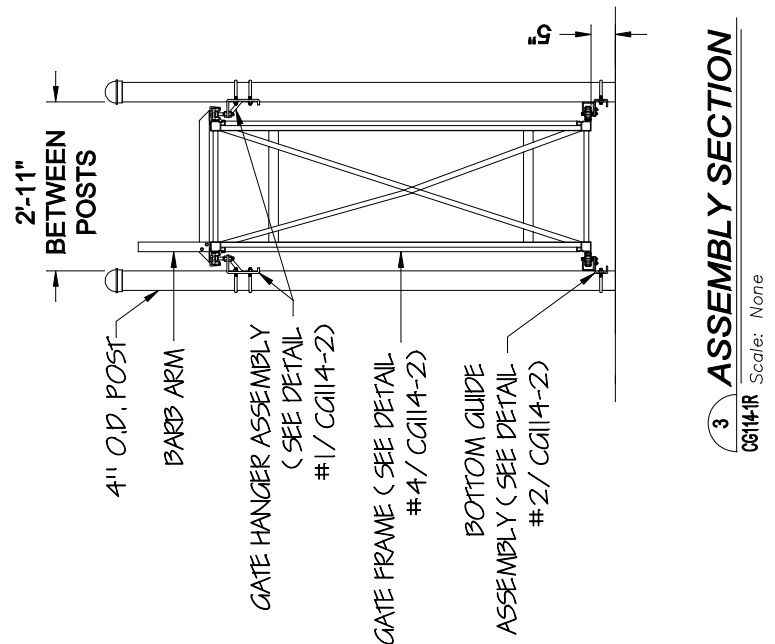
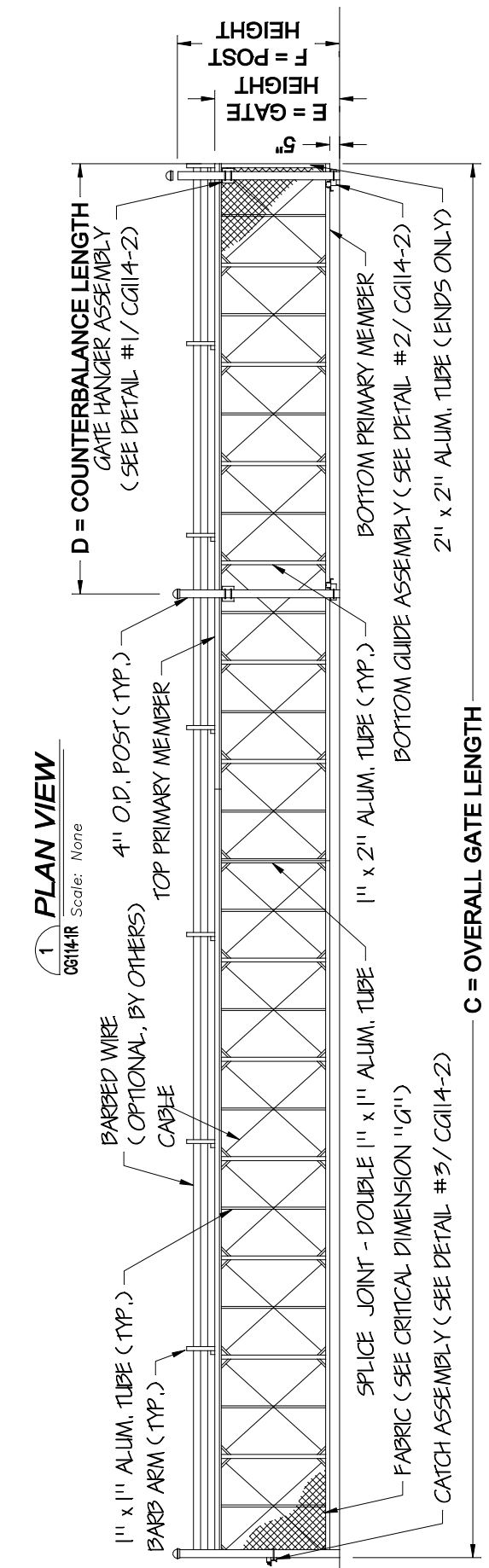
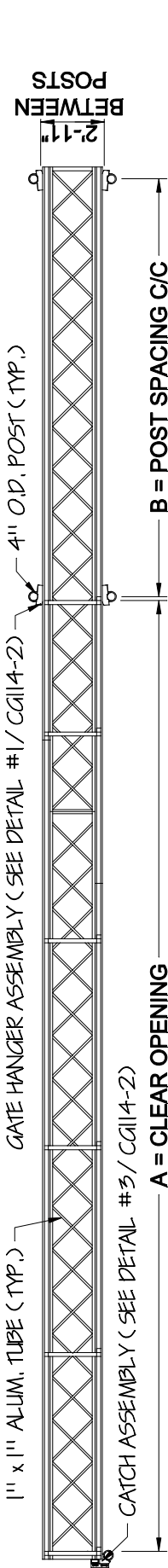


CRITICAL DIMENSION CHART

	CLEAR OPENING	A *
A	CLEAR OPENING	A *
B	COUNTERBALANCE POST SPACING C/C	(A/2) - 11"
C	OVERALL GATE LENGTH	A x 1.5
D	COUNTERBALANCE LENGTH	A x 0.5
E	NOMINAL GATE HEIGHT	E
F	POST HEIGHT	E + 1'-6"
G	FABRIC HEIGHT	E - 1'-0"

NOTES:
 1. ALL FITTINGS PROVIDED FOR 4" O.D. POSTS. OTHER SIZES AVAILABLE UPON REQUEST.
 2. GATE TO BE MILL FINISH.
 3. GATE ELEVATION IS VIEWED FROM THE OUTSIDE OF THE SECURE AREA LOOKING IN.

* A: ENTER DESIRED CLEAR OPENING WIDTH (UP TO 60 FEET), THEN PERFORM CALCULATIONS.



RIGHT TO OPEN

* A: ENTER DESIRED CLEAR OPENING WIDTH (UP TO 60 FEET), THEN PERFORM CALCULATIONS.

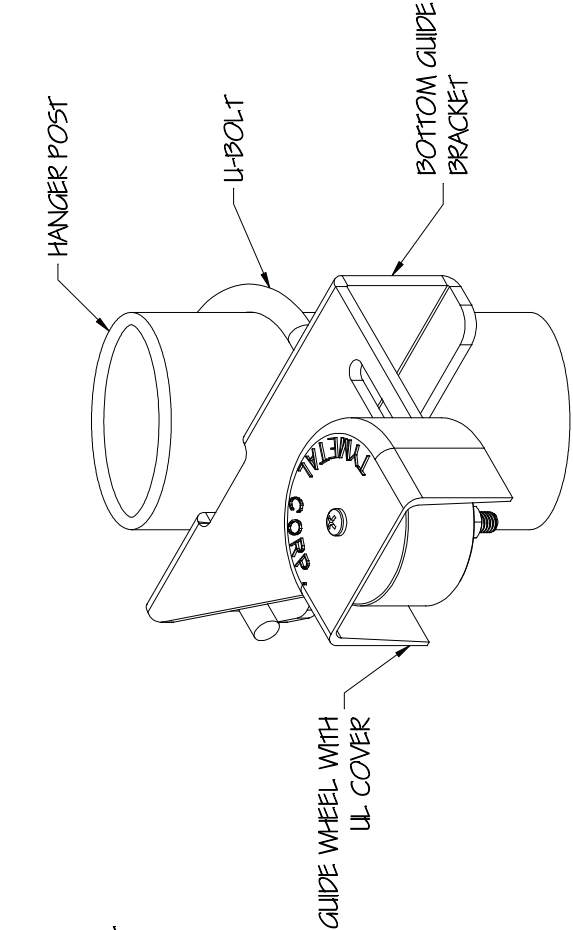
- NOTES:**
- ALL FITTINGS PROVIDED FOR 4" O.D. POSTS. OTHER SIZES AVAILABLE UPON REQUEST.
 - GATE TO BE MILL FINISH.
 - GATE ELEVATION IS VIEWED FROM THE OUTSIDE OF THE SECURE AREA LOOKING IN.

NOMINAL GATE SIZE

--	--

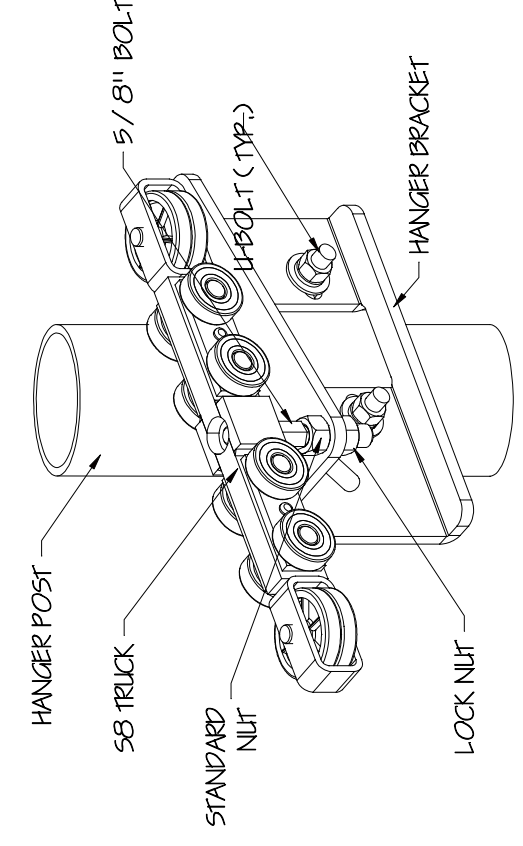
CRITICAL DIMENSION CHART

A	CLEAR OPENING	A *
B	COUNTERBALANCE POST SPACING C/C	(A/2) - 11"
C	OVERALL GATE LENGTH	A x 1.5
D	COUNTERBALANCE LENGTH	A x 0.5
E	NOMINAL GATE HEIGHT	E
F	POST HEIGHT	E + 1'-6"
G	FABRIC HEIGHT	E - 1'-0"



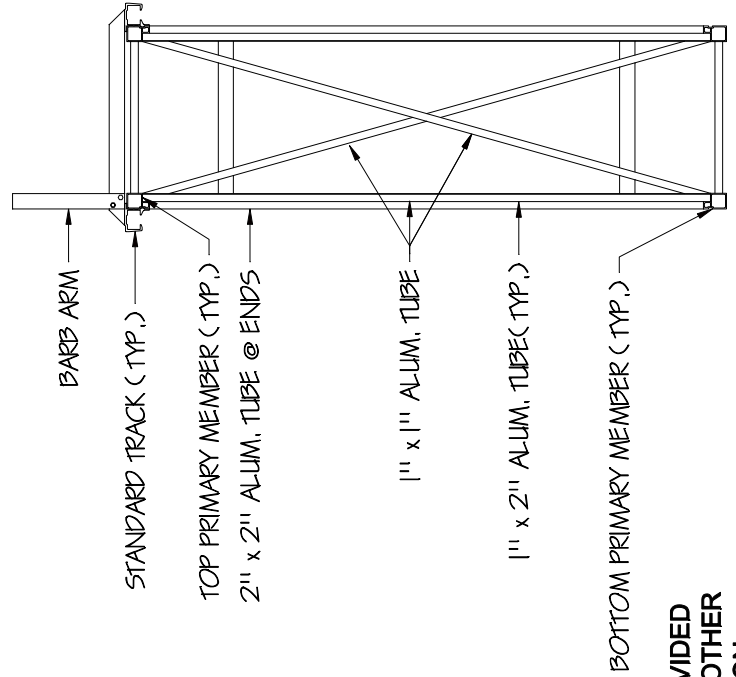
2 BOTTOM GUIDE ASSEMBLY

CG114-2 Scale: None



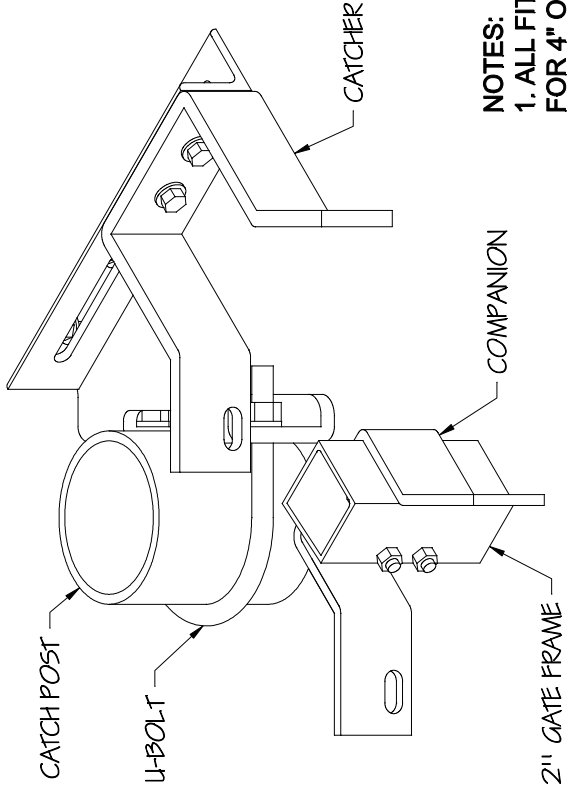
1 GATE HANGER ASSEMBLY

CG114-2 Scale: None



4 GATE FRAME SECTION

CG114-2 Scale: None



3 CATCH ASSEMBLY

CG114-2 Scale: None

NOTES:
 1. ALL FITTINGS PROVIDED FOR 4" O.D. POSTS. OTHER SIZES AVAILABLE UPON REQUEST.