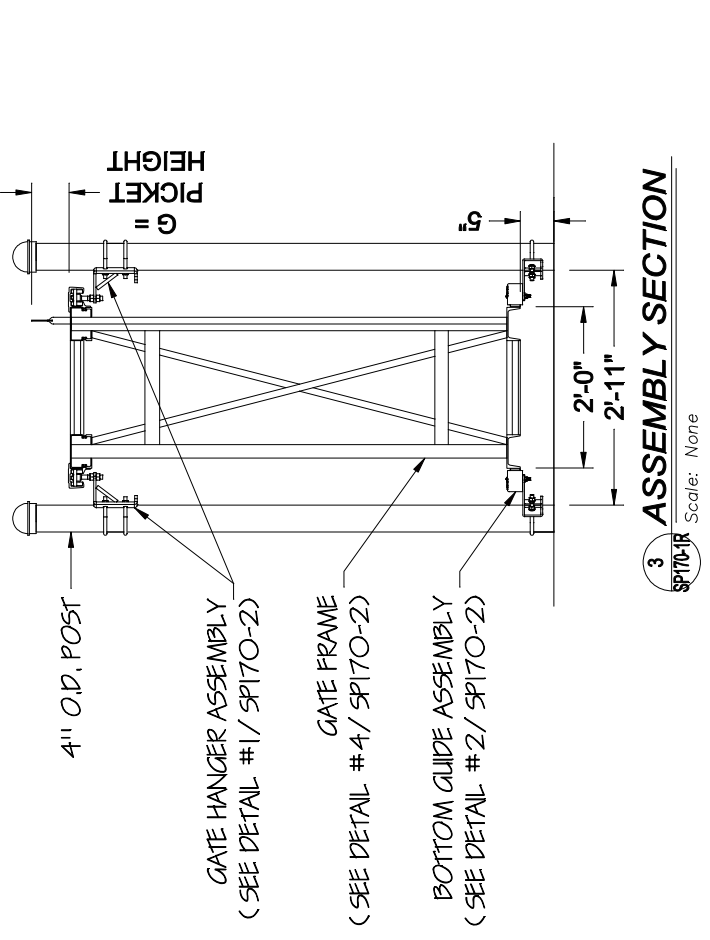
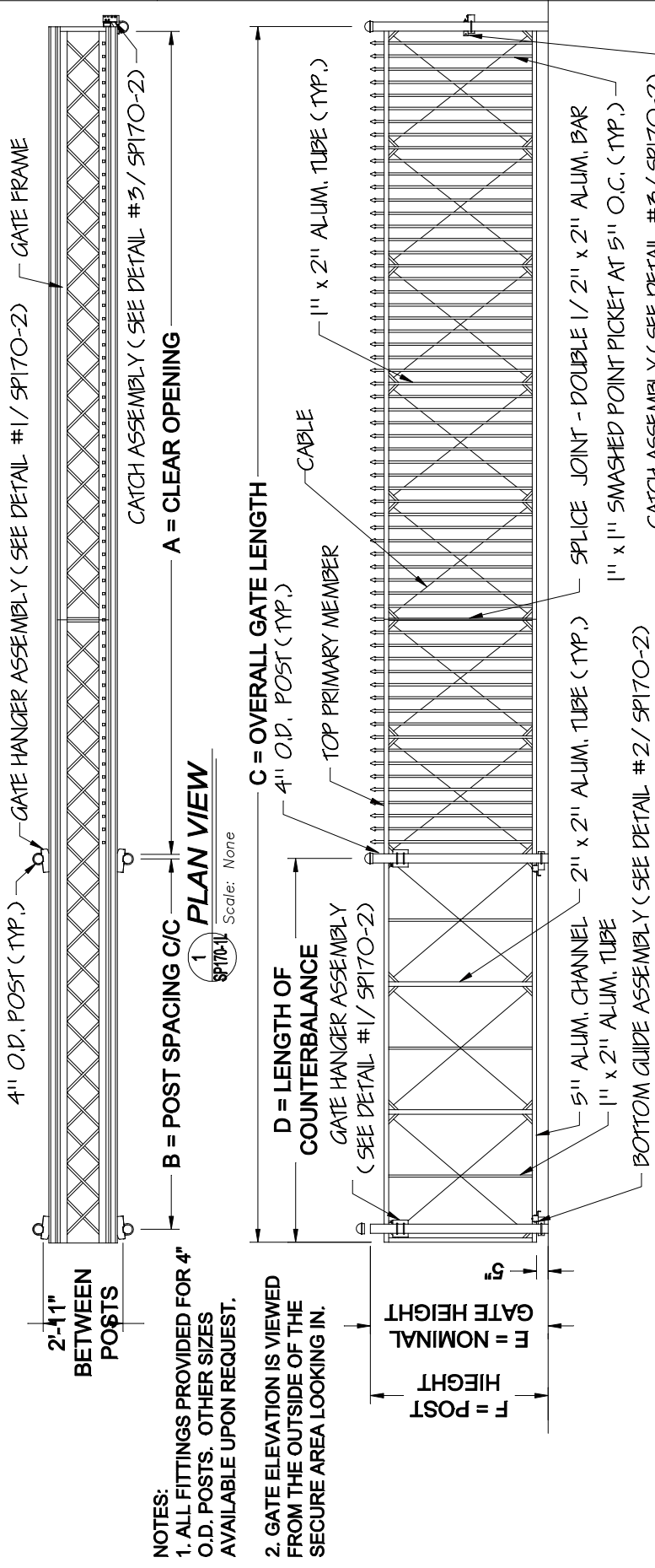


* ENTER DESIRED CLEAR OPENING WIDTH (UP TO 60 FEET), THEN PERFORM CALCULATIONS.

NOMINAL GATE SIZE		
RIGHT to Open		
CRITICAL DIMENSION CHART		
A	CLEAR OPENING	A *
B	COUNTERBALANCE POST SPACING C/C	(A/2) - 11"
C	OVERALL GATE LENGTH	A x 1.5
D	COUNTERBALANCE LENGTH	A x 0.5
E	NOMINAL GATE HEIGHT	E
F	POST HEIGHT	= E
G	PICKET HEIGHT	6" or as spec'd

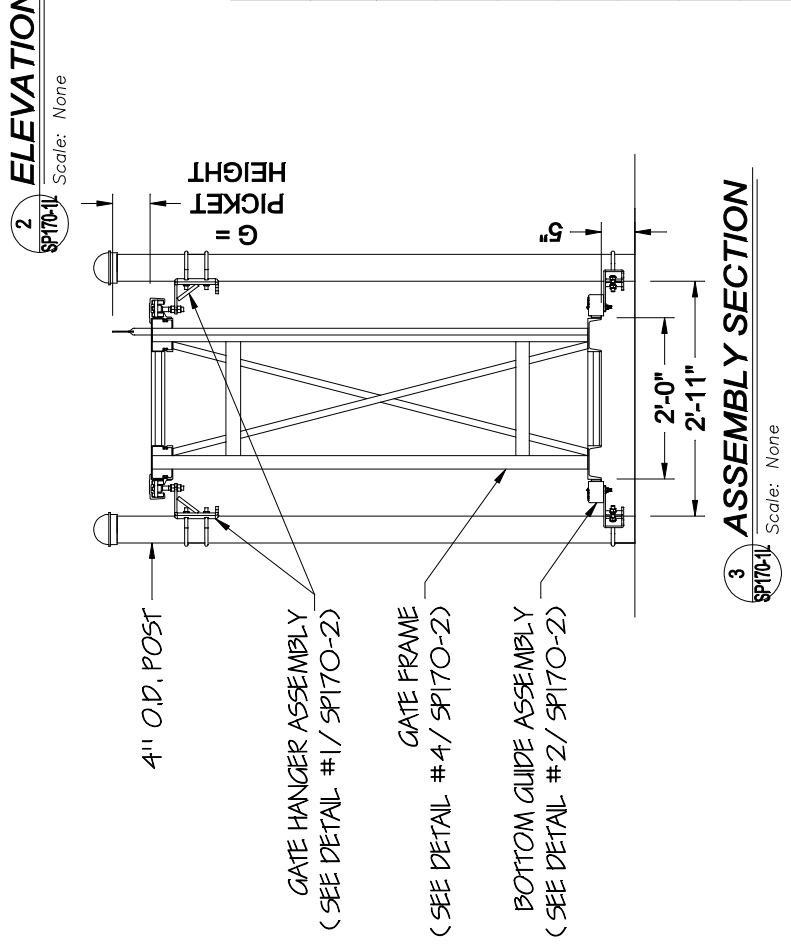




NOTES:
1. ALL FITTINGS PROVIDED FOR 4" O.D. POSTS. OTHER SIZES AVAILABLE UPON REQUEST.
2. GATE ELEVATION IS VIEWED FROM THE OUTSIDE OF THE SECURE AREA LOOKING IN.

* ENTER DESIRED CLEAR OPENING WIDTH (UP TO 60 FEET), THEN PERFORM CALCULATIONS.

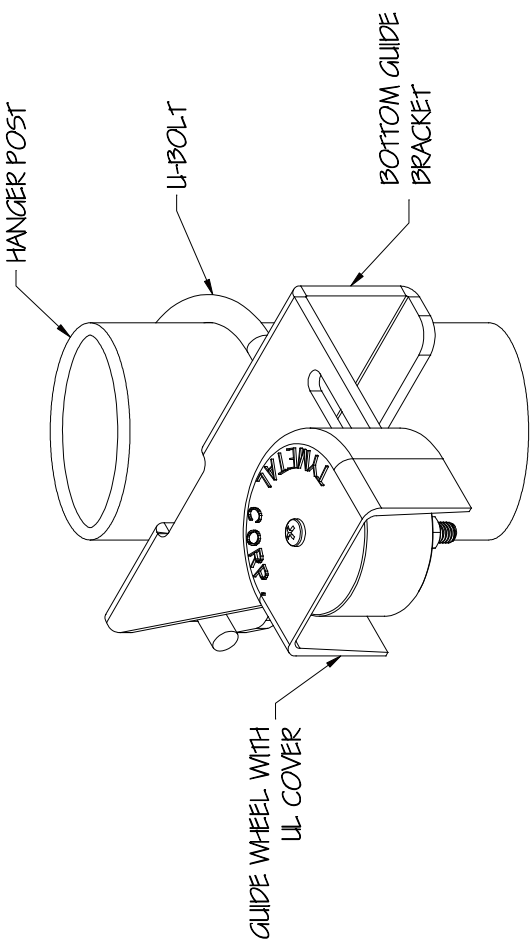
NOMINAL GATE SIZE		
LEFT to Open		
CRITICAL DIMENSION CHART		
A	CLEAR OPENING	A *
B	COUNTERBALANCE POST SPACING C/C	(A/2) - 11"
C	OVERALL GATE LENGTH	A x 1.5
D	COUNTERBALANCE LENGTH	A x 0.5
E	NOMINAL GATE HEIGHT	E
F	POST HEIGHT	= E
G	PICKET HEIGHT	6" or as spec'd



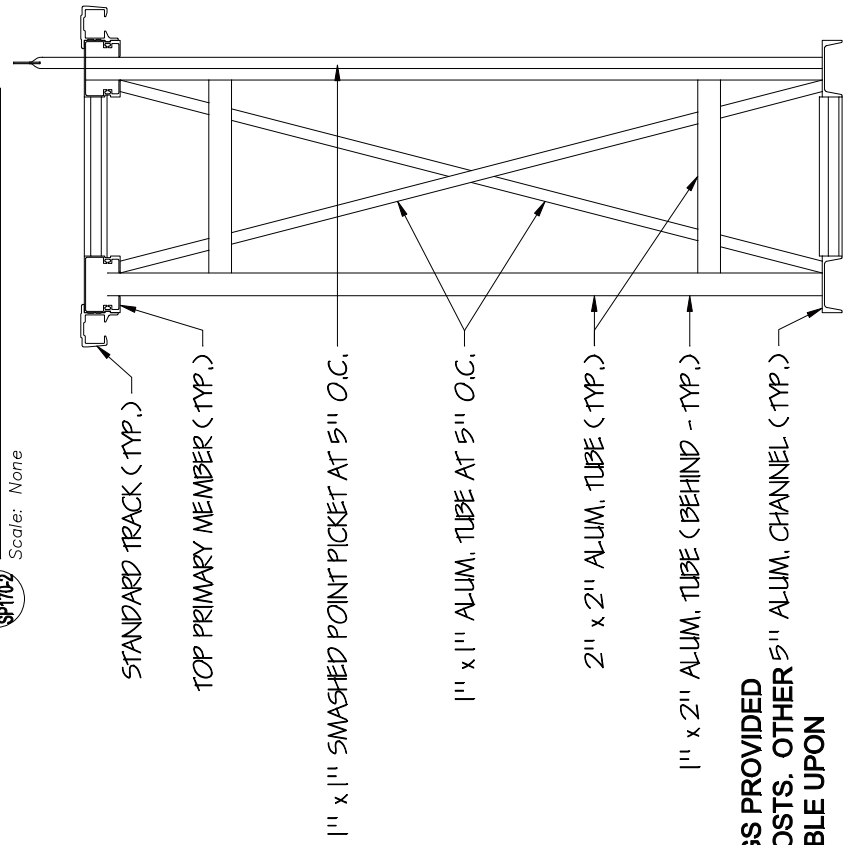
PROJECT:	ARCHITECT/ENGINEER:
SUBJECT:	CONTRACTOR:
Box Frame Cantilever Slide Gate Details	

DRAWN BY:	SJD
DATE:	10/27/14
CHECKED BY:	BGG
DATE:	6/12/13
SCALE:	As Noted
REVISION LEVEL:	R10

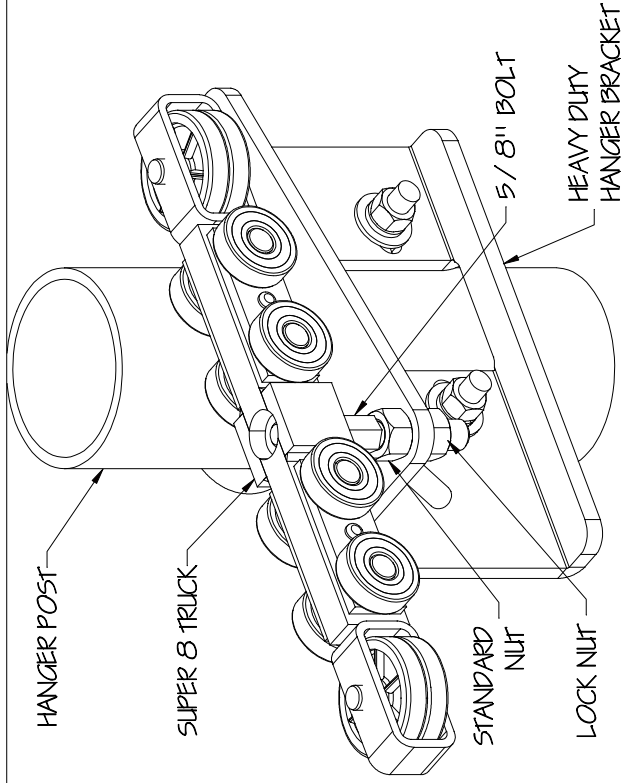
TYMETAL CORP.
 www.tymetal.com
 678 WILBUR AVENUE
 GREENWICH, N.Y. 12834
 PH: (800) 328-4283 - FX: (518) 692-9404



2 BOTTOM GUIDE ASSEMBLY
 Scale: None

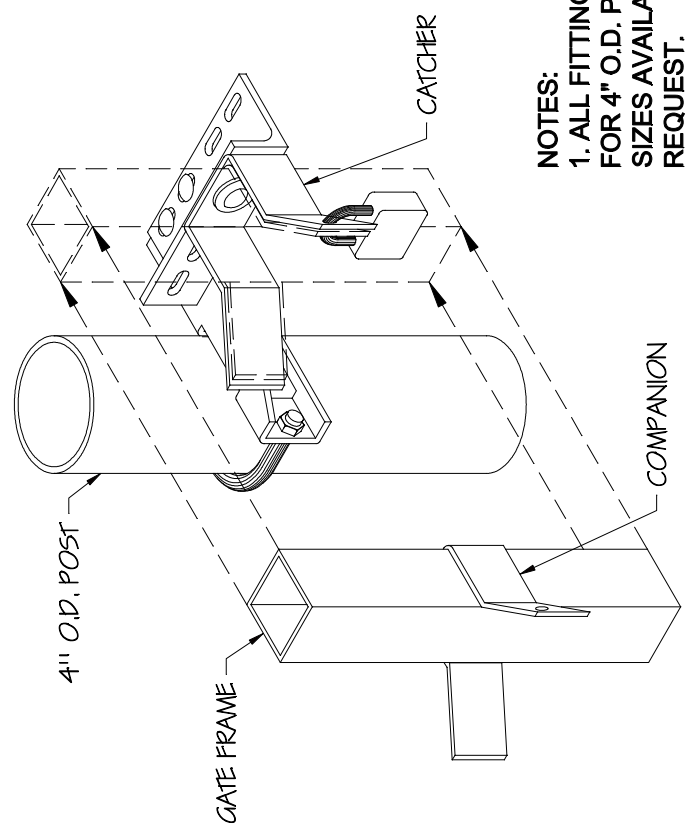


4 GATE FRAME SECTION
 Scale: None



NOTE: SUPER 8 TRUCK SHOWN. W4 TRUCKS MAY BE USED FOR LIGHTER GATES.

1 GATE HANGER ASSEMBLY
 Scale: None



3 CATCH ASSEMBLY
 Scale: None

NOTES:
 1. ALL FITTINGS PROVIDED FOR 4" O.D. POSTS. OTHER 5" ALUM. CHANNEL (TYP.) SIZES AVAILABLE UPON REQUEST.