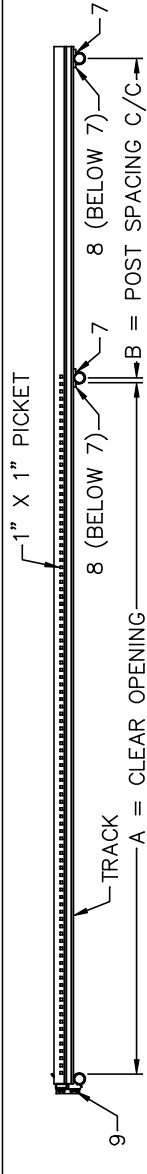


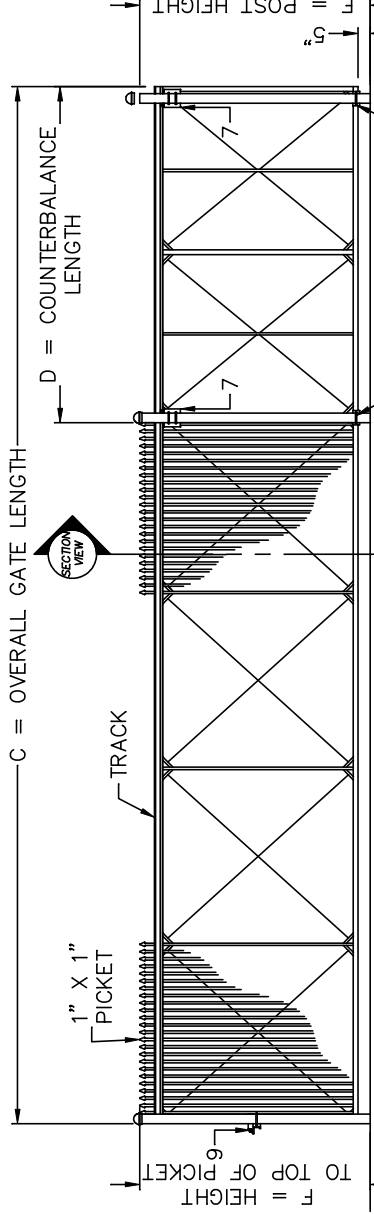
CRITICAL DIMENSION CHART

MARK	DESCRIPTION	FORMULA	DIM.
A	CLEAR OPENING	A	-
B	COUNTERBALANCE POST SPACING C/C	(A/2)-11"	-
C	OVERALL GATE LENGTH	A x 1.5	-
D	COUNTERBALANCE LENGTH	A x 0.5	-
E	POST HEIGHT	E = F	-
F	HEIGHT TO TOP OF PICKET	F	-
G	PICKET HEIGHT	G	-



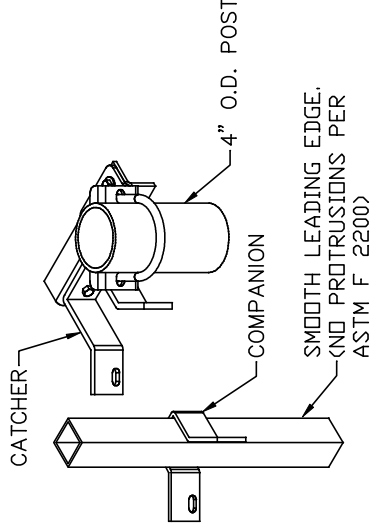
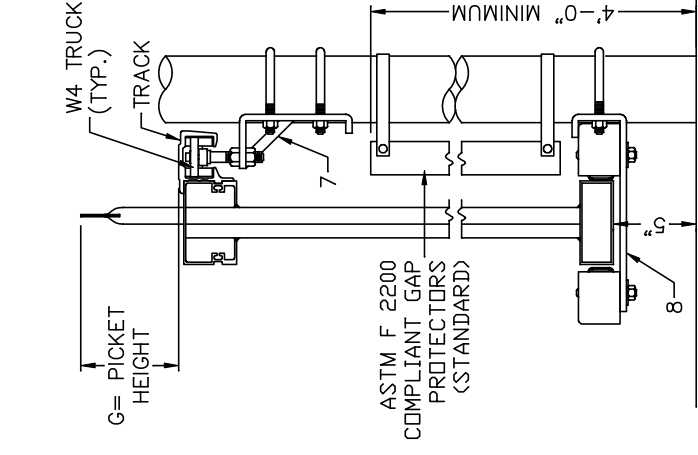
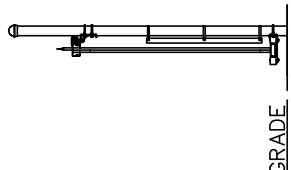
PLAN VIEW

Scale: None



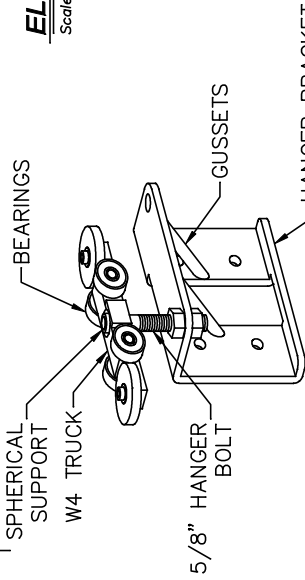
ELEVATION

Scale: None



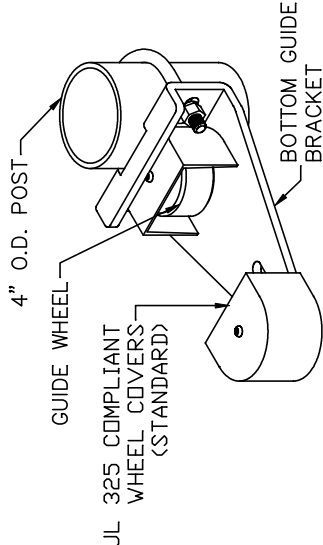
9 CATCH ASSEMBLY

Scale: None



7 GATE HANGER ASSEMBLY

Scale: None



8 BOTTOM GUIDE

Scale: None

- NOTES:
1. ALL FITTINGS STANDARDLY PROVIDED FOR 4" O.D. POSTS. OTHER SIZES AVAILABLE UPON REQUEST.
 2. OTHER PICKET STYLES AVAILABLE UPON REQUEST.



678 WILBUR AVENUE
GREENWICH, N.Y. 12834
PH: (800) 328-4283 - (518) 692-9930

www.tymetal.com

REV. 3 - 2/16/24

HEAVY DUTY CANTILEVER SLIDE GATE