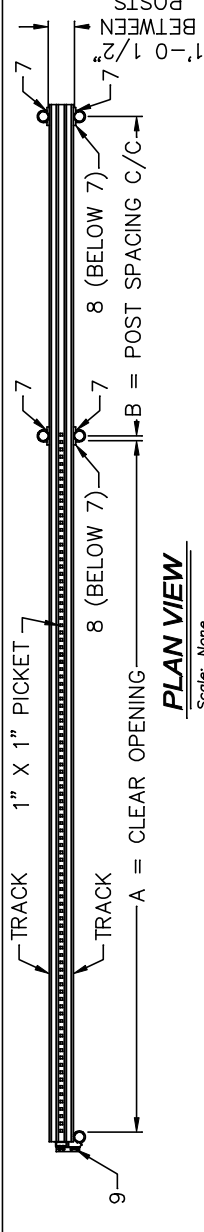
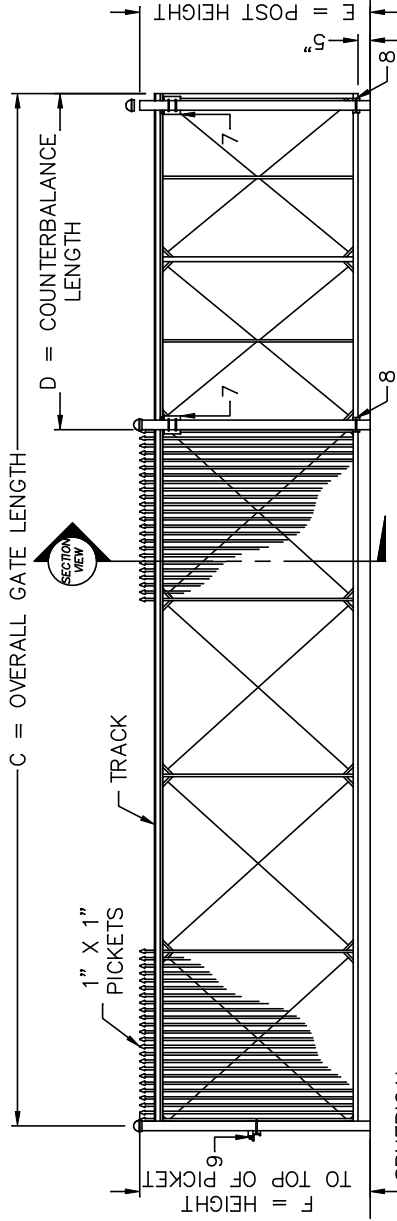


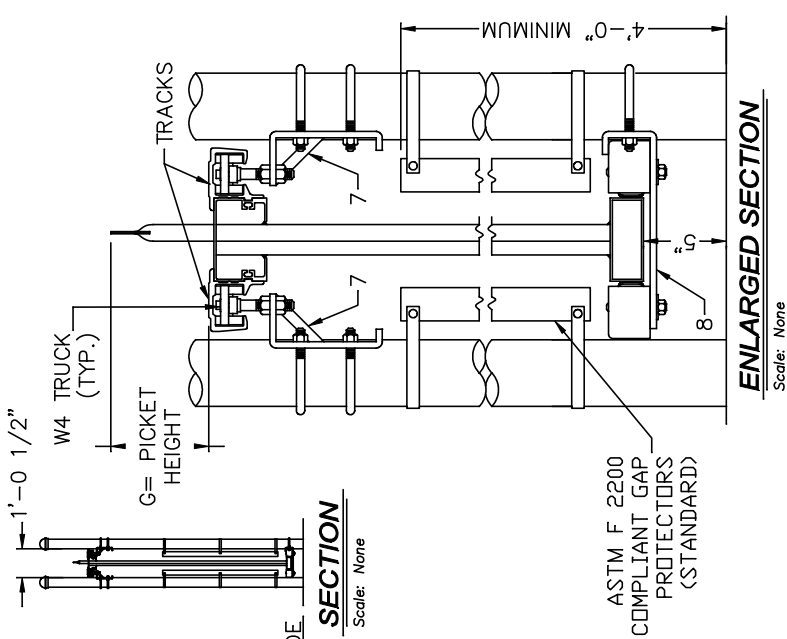
CRITICAL DIMENSION CHART			
MARK	DESCRIPTION	FORMULA	DIM.
A	CLEAR OPENING	A	-
B	COUNTERBALANCE POST SPACING C/C	$(A/2)-11"$	-
C	OVERALL GATE LENGTH	$A \times 1.5$	-
D	COUNTERBALANCE LENGTH	$A \times 0.5$	-
E	POST HEIGHT	$E = F$	-
F	HEIGHT TO TOP OF PICKET	F	-
G	PICKET HEIGHT	G	-



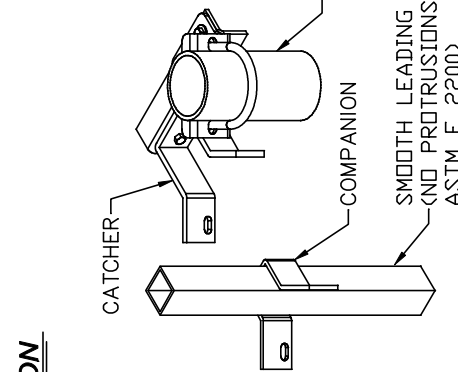
PLAN VIEW
Scale: None



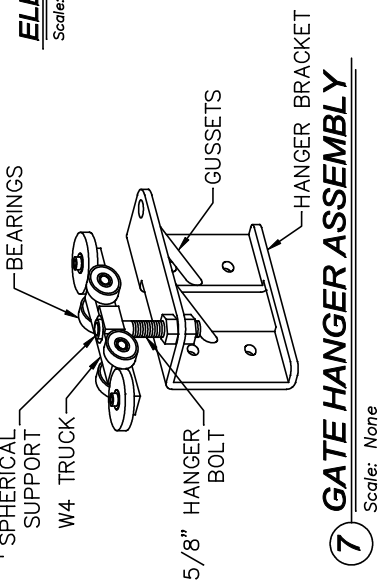
ELEVATION
Scale: None



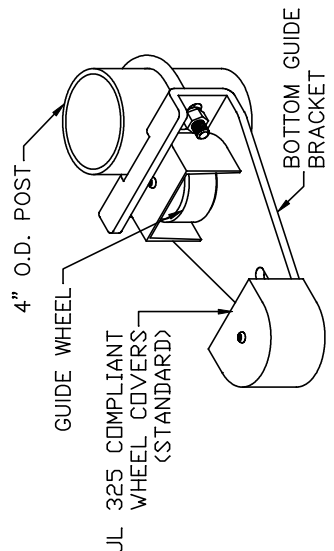
ENLARGED SECTION
Scale: None



9 CATCH ASSEMBLY
Scale: None



7 GATE HANGER ASSEMBLY
Scale: None



8 BOTTOM GUIDE
Scale: None

- NOTES:
1. ALL FITTINGS STANDARDLY PROVIDED FOR 4" O.D. POSTS. OTHER SIZES AVAILABLE UPON REQUEST.
 2. OTHER PICKET STYLES AVAILABLE UPON REQUEST.



678 WILBUR AVENUE
GREENWICH, N.Y. 12834
PH: (800) 328-4283 - (516) 692-9930
www.tymetal.com

STRUCTURAL CANTILEVER SLIDE GATE

REV. 3 - 2/16/24