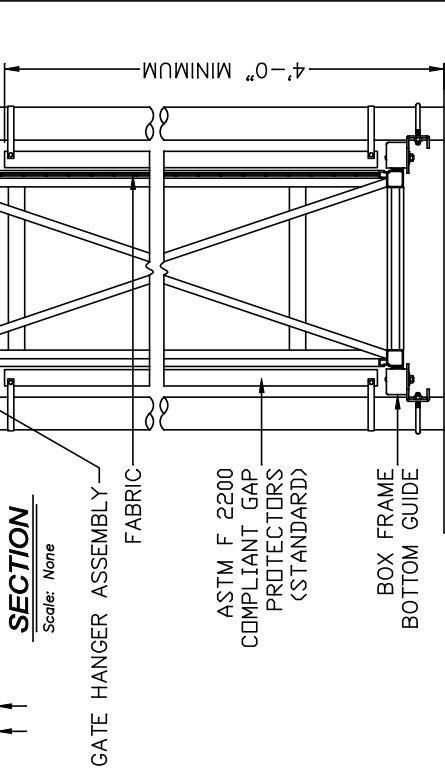
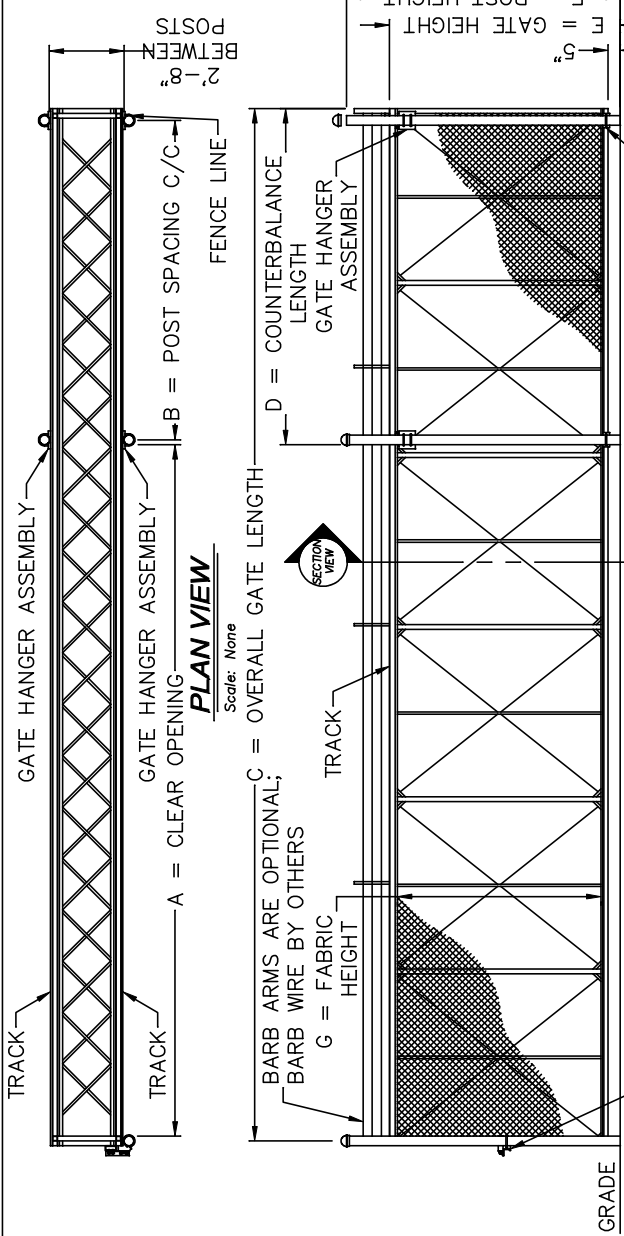


CRITICAL DIMENSION CHART			
MARK	DESCRIPTION	FORMULA	DIM.
A	CLEAR OPENING	A	-
B	COUNTERBALANCE POST SPACING C/C	$(A/2)-11"$	-
C	OVERALL GATE LENGTH	$A \times 1.5$	-
D	COUNTERBALANCE LENGTH	$A \times 0.5$	-
E	NOMINAL GATE HEIGHT	E	-
F	POST HEIGHT (W BARB ARMS)	$E + 1'-6"$	-
G	FABRIC HEIGHT	$E - 1'-0"$	-



ENLARGED SECTION
Scale: None

NOTES:
1. ALL FITTINGS STANDARDLY PROVIDED FOR 4" O.D. POSTS. OTHER SIZES AVAILABLE UPON REQUEST.
2. BARB ARMS ARE OPTIONAL; BARB WIRE BY OTHERS
3. SUPER 8 TRUCKS PROVIDED FOR LARGER OR HEAVIER VERSIONS OF GATE. REV. 3 - 2/16/24

TYMETAL CORP.
www.tymetal.com

678 WILBUR AVENUE
GREENWICH, N.Y. 12834
PH: (800) 328-4283 - (518) 692-9930

