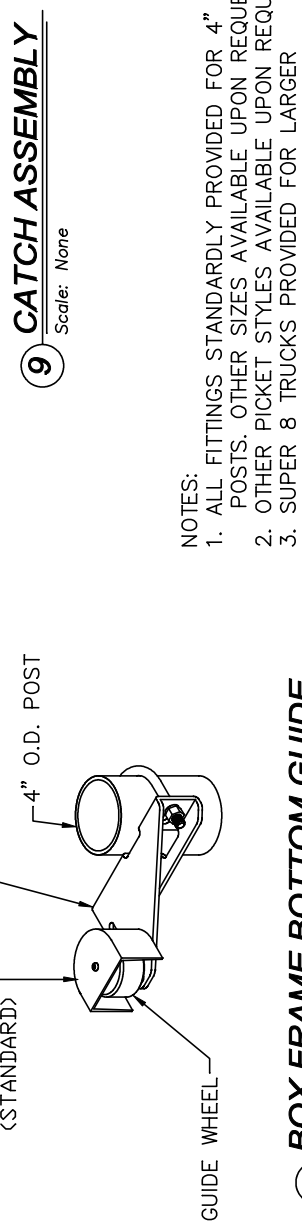
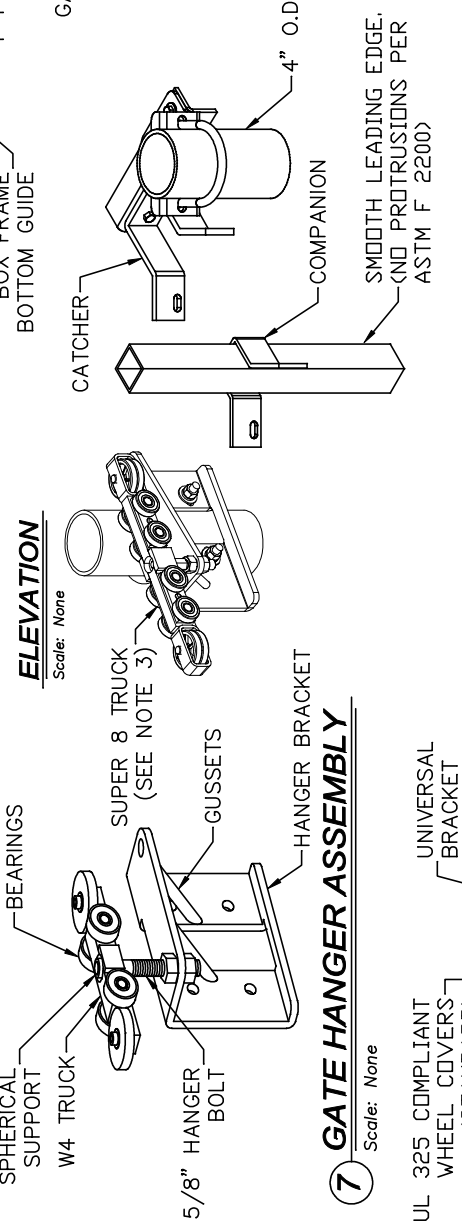
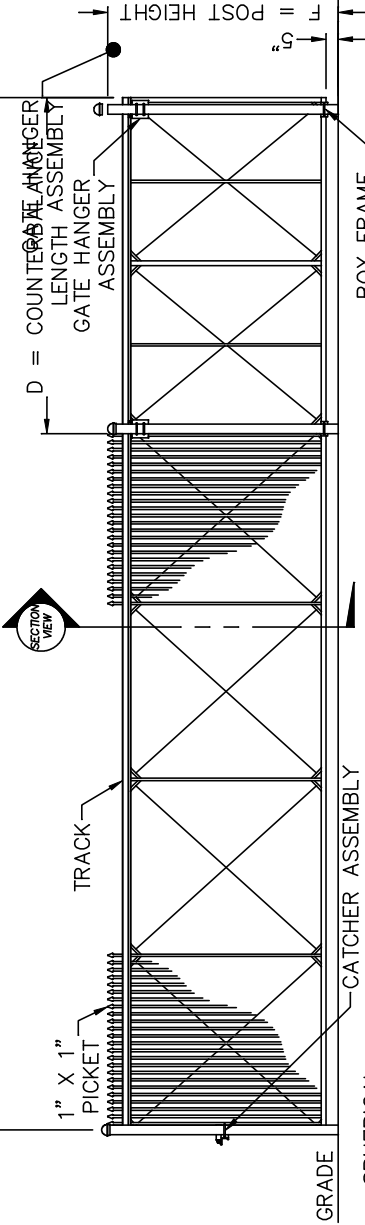
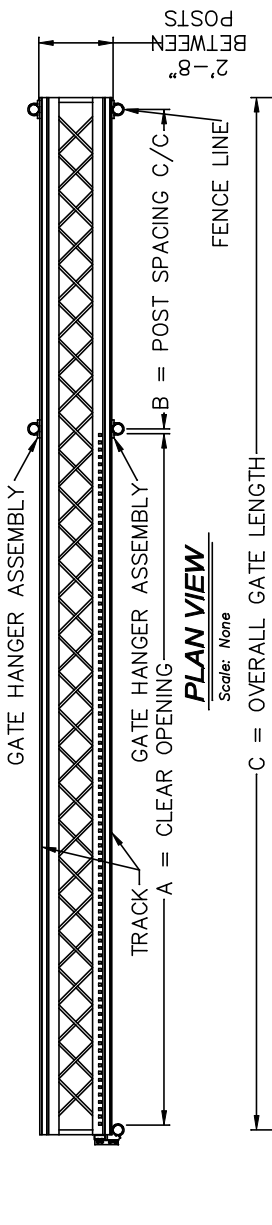
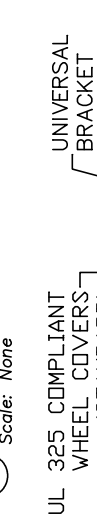


CRITICAL DIMENSION CHART

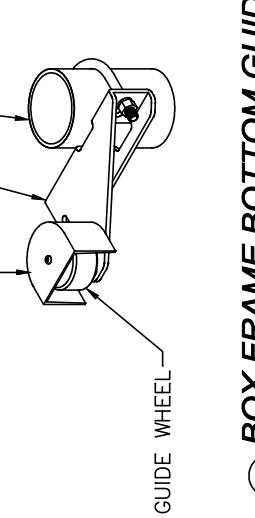
MARK	DESCRIPTION	FORMULA	DIM.
A	CLEAR OPENING	A	-
B	COUNTERBALANCE POST SPACING C/C	(A/2)-11"	-
C	OVERALL GATE LENGTH	A x 1.5	-
D	COUNTERBALANCE LENGTH	A x 0.5	-
E	POST HEIGHT	E = F	-
F	HEIGHT TO TOP OF PICKET	F	-
G	PICKET HEIGHT	G	-



7 GATE HANGER ASSEMBLY



8 BOX FRAME BOTTOM GUIDE

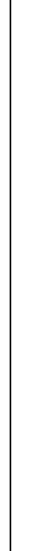


- NOTES:
1. ALL FITTINGS STANDARDLY PROVIDED FOR 4" O.D. POSTS. OTHER SIZES AVAILABLE UPON REQUEST.
 2. OTHER PICKET STYLES AVAILABLE UPON REQUEST.
 3. SUPER 8 TRUCKS PROVIDED FOR LARGER OR HEAVIER VERSIONS OF GATE.

TYMETAL CORP.
www.tymetal.com

678 WILBUR AVENUE
GREENWICH, N.Y. 12834
PH: (800) 328-4283 - FX: (518) 692-9404

9 CATCH ASSEMBLY



BOX FRAME CANTILEVER SLIDE GATE

REV. 3 - 2/16/24