

FORTRESS GATE HEAVY DUTY OVERHEAD SLIDE BY TYMETAL CORP.

The Fortress Heavy Duty Overhead Slide Gate, manufactured by Tymetal Corp., solves closure requirements that are particularly rigorous. Truly a specialty gate, the Heavy Duty Overhead Slide Gate is made to withstand greater than normal stresses in very large openings. Tymetal overhead gate systems have been installed in demanding applications all over the US and Canada. Special features and design improvements, learned from years of experience in extreme high use environments, reinforce the gate panel in critical areas. The installation method is versatile, as the gate may be hung between three pairs of 4" OD posts with a structural steel support beam or wall mounted with the appropriate support system.

The Heavy Duty Overhead Slide Gate track is fabricated from 6063-T6 aluminum alloy extrusions. The primary members (top and bottom) are rectangular shaped in cross section with outside vertical members "P" shaped in cross section.

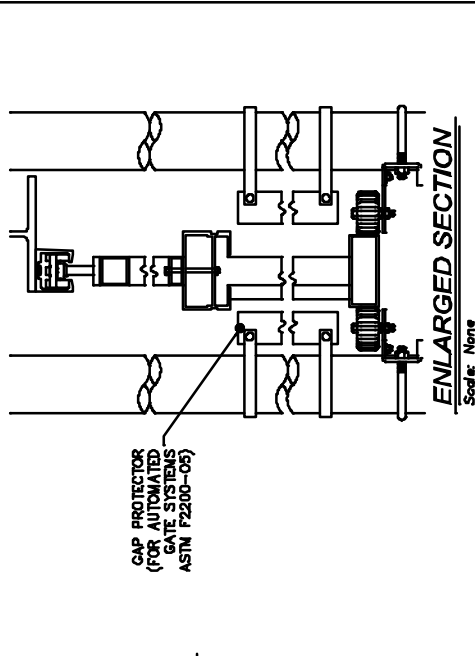
Tymetal includes cross bracing of 3/16" minimum diameter stainless steel cable throughout the gate panel to keep the frame members square. Special bottom guide assemblies are included for each side of the gate and Tymetal also supplies a minimum of two self-aligning, 4-wheeled, sealed, ball-bearing truck assemblies with each gate.



Tymetal Corp.

(800) 328-GATE (4283) • www.tymetal.com
Greenwich, NY • Pearland, TX

CRITICAL DIMENSION CHART			
MARK	DESCRIPTION	FORMULA	DIMENSION
A	CLEAR OPENING	A	-
B	POST SPACING C/C	B	-
C	OVERALL GATE LENGTH	A + 1'-4"	-
D	GATE FRAME HEIGHT	F - 3"	-
E	LOWER FRAME HEIGHT	E	-
F	CLEAR OPENING HEIGHT	F	-
G	HEIGHT TO BOTTOM OF BEAM	G	-
H	POST HEIGHT	H	-
I	FABRIC HEIGHT	E - 1'-0"	-
J	OVERALL BEAM LENGTH	A X 2 + 1'-0"	-



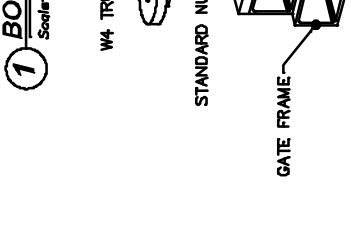
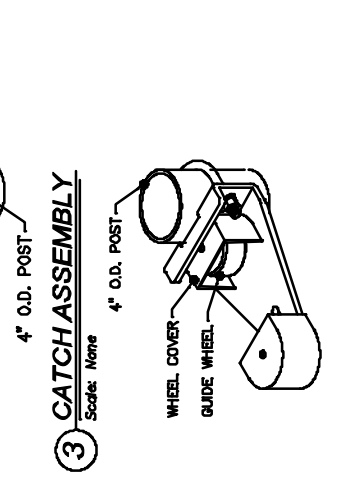
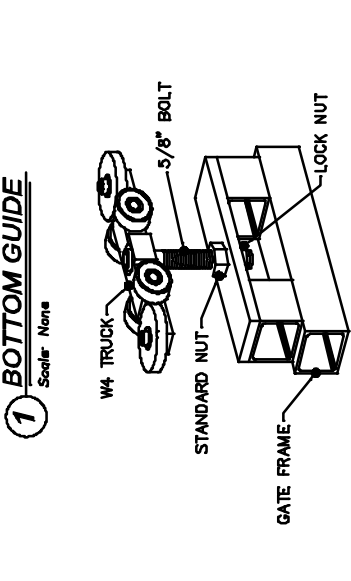
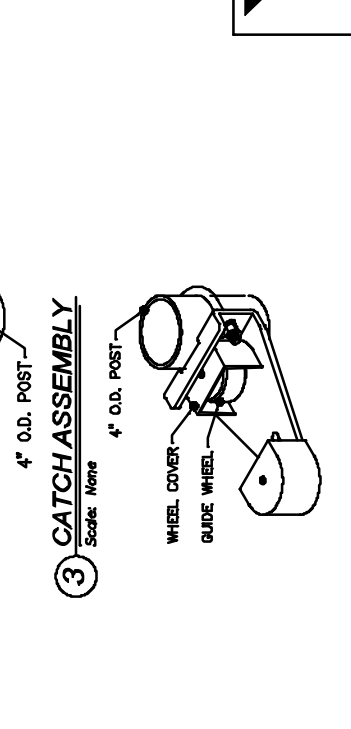
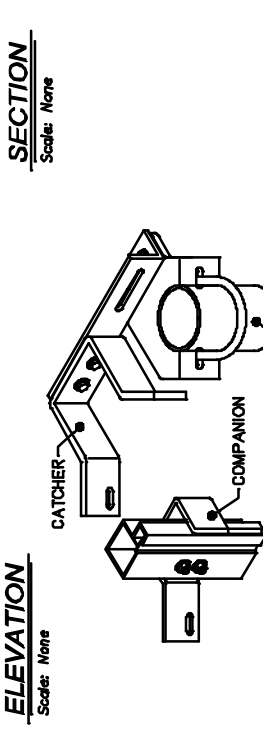
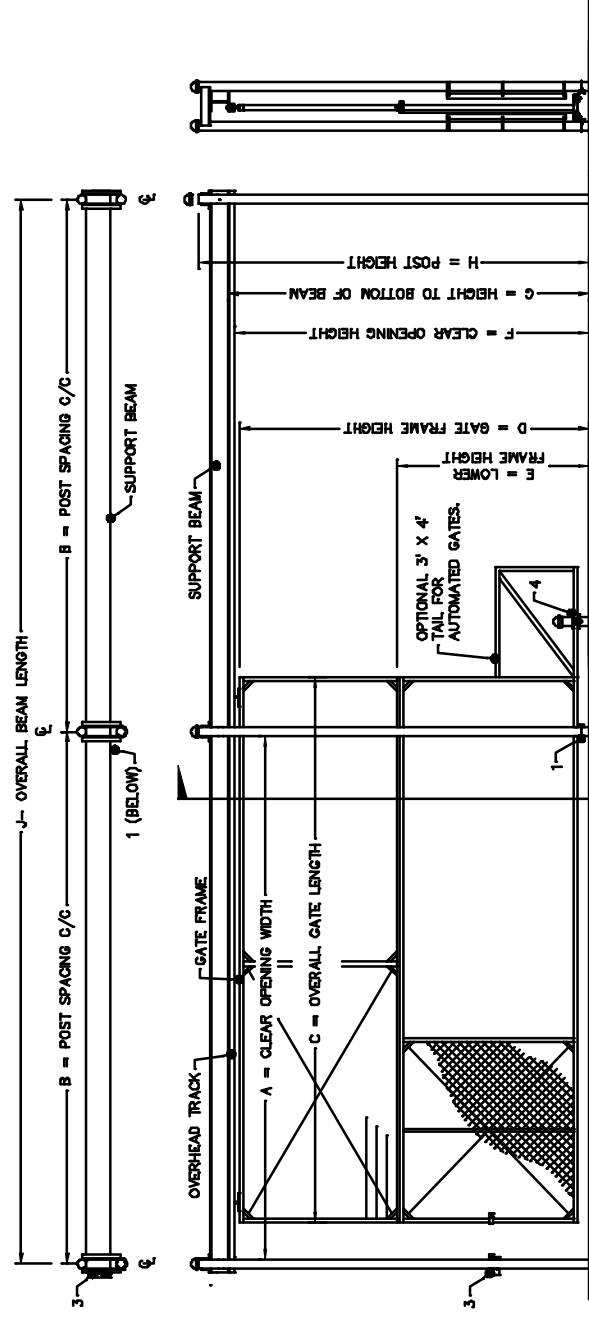
NOTES:

1. ALL FITTINGS STANDARDLY PROVIDED FOR 4" O.D. POSTS. OTHER SIZES AVAILABLE UPON REQUEST.
2. BARB ARMS (FOR BARBED WIRE) OPTIONAL.
3. HIGH WIND PACKAGE AVAILABLE. CONTACT MANUFACTURER RELATIVE TO HIGH WIND CONDITIONS.
4. FOR IN-FILL MATERIALS OTHER THAN CHAIN LINK CONTACT MANUFACTURER.
5. CLEAR OPENINGS (A) UP TO 40 FEET.

TYMETAL CORP.
www.tymetal.com

2549 STATE ROUTE 40
GREENWICH, N.Y. 12834
PH: (800) 328-4263 - FX: (518) 682-9404

HEAVY DUTY OVERHEAD SLIDE GATE



OPTIONAL 3' X 4' TAIL FOR AUTOMATED GATES.