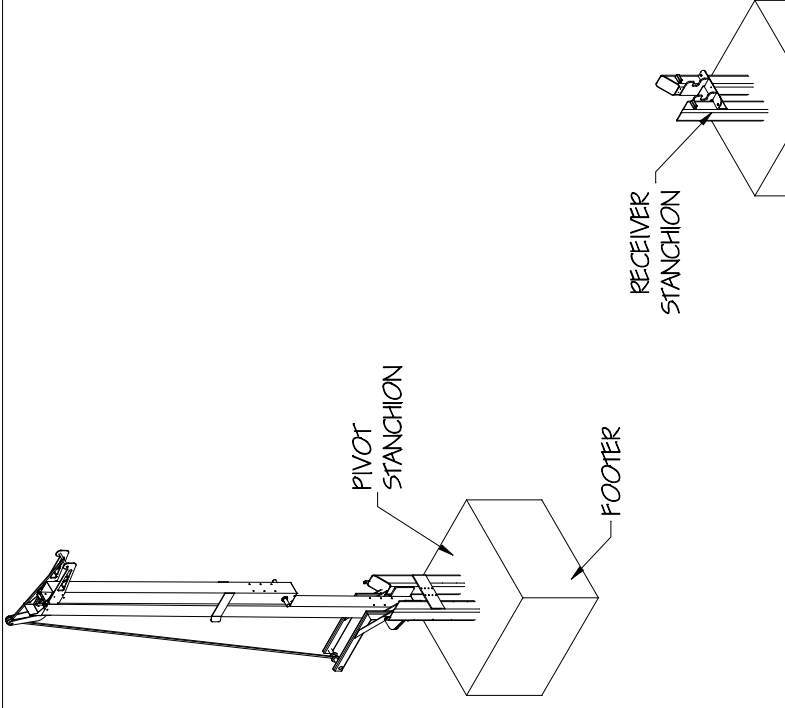
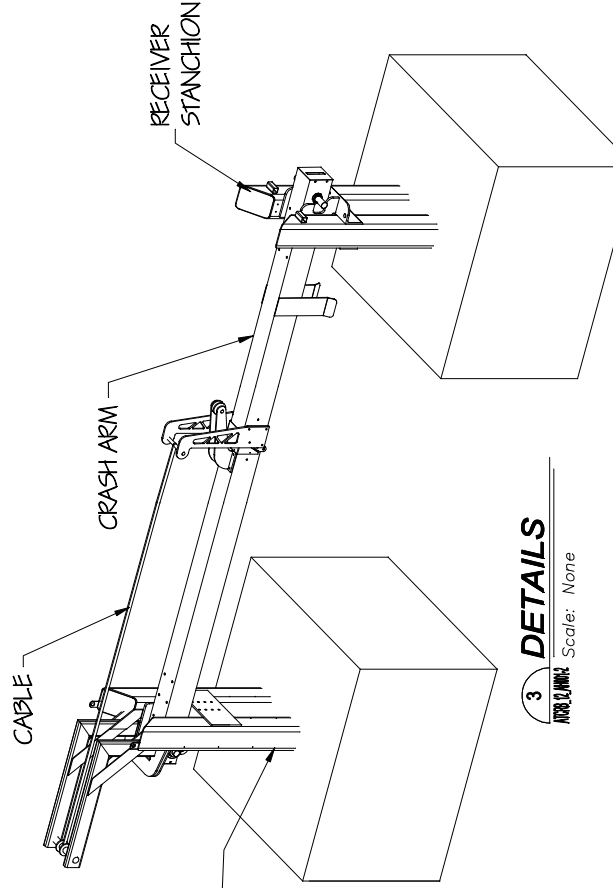


**1 ELEVATION**  
 APR 12, 2011 Scale: None



**2 ISOMETRIC**  
 APR 12, 2011 Scale: None



**3 DETAILS**  
 APR 12, 2011 Scale: None

**K-12 CRASH RATED/ENGINEERED  
 ATCRB-12 ACTUATING BARRIER ARM**

- CLEAR OPENING WIDTHS TO 40'-0".
- ASTM F2656 M50-P2 CRASH RATING