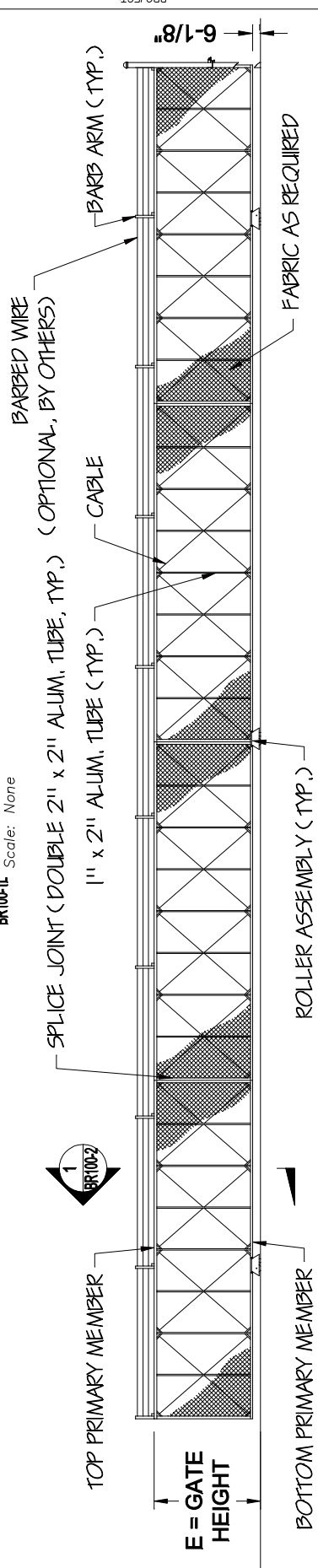


1 PLAN VIEW
 BR100-1L Scale: None



2 ELEVATION
 BR100-1L Scale: None

LEFT TO OPEN

NOTES:
 1. EMBEDDED W4 x 13 I-BEAM TRACK SYSTEM PROVIDED BY TYMETAL AND SHIPPED IN 10' TO 20' LENGTHS.

2. THE TOTAL NUMBER OF PANELS REQUIRED WILL VARY DEPENDING ON THE OVERALL GATE LENGTH AND WILL BE DETERMINED AS FOLLOWS: DIVIDE THE OVERALL GATE LENGTH BY 48 AND ROUND UP TO THE NEAREST WHOLE NUMBER. TO DETERMINE PANEL LENGTH, DIVIDE THE NUMBER OF PANELS INTO THE OVERALL GATE LENGTH.

3. CONCRETE FOOTING SHALL BE SIZED AS REQUIRED BY A LOCAL ENGINEER IN ACCORDANCE WITH ALL JOB SPECIFICATIONS.

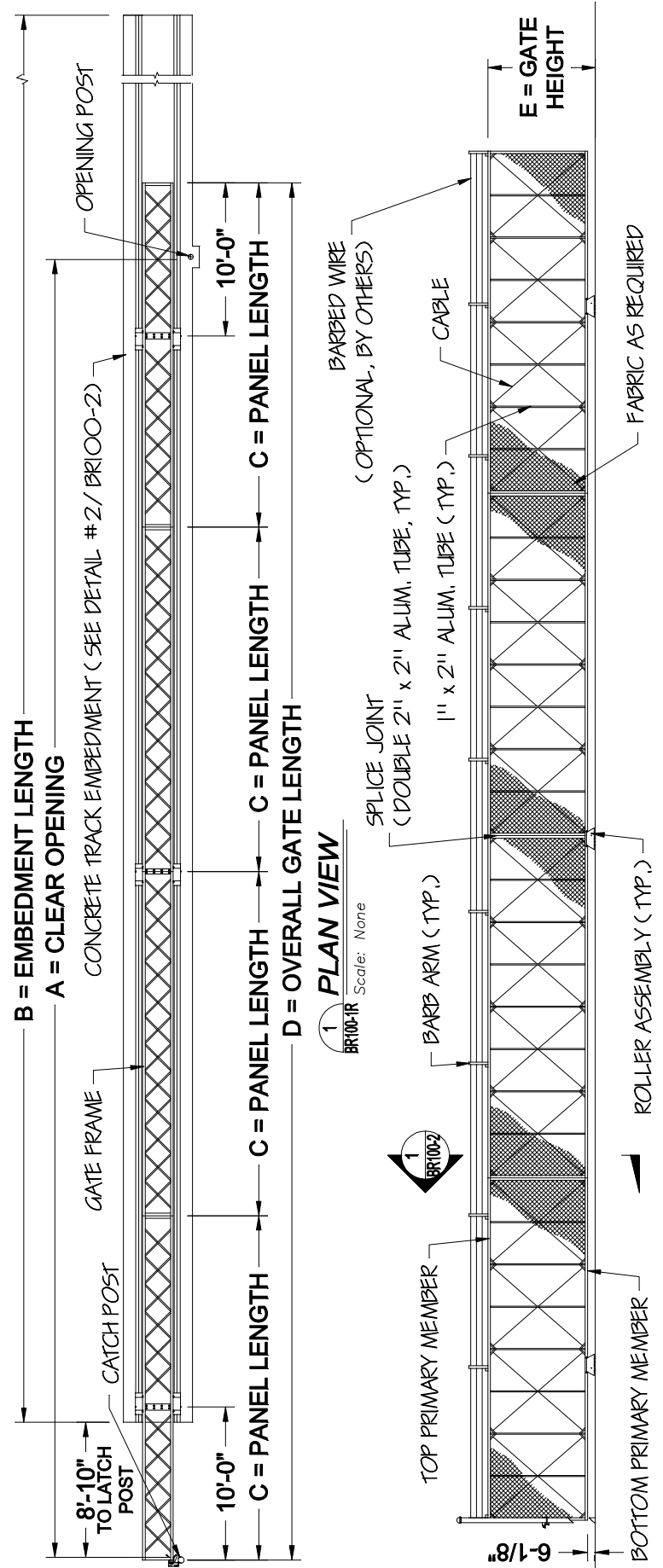
4. BARB ARMS ARE OPTIONAL.

5. HEAT CABLE SUGGESTED FOR INSTALLATIONS IN AREAS WHERE ICING MAY OCCUR. (SUPPLIED BY OTHERS)

NOMINAL GATE SIZE	
A x E	
CRITICAL DIMENSION CHART	
A	CLEAR OPENING
B	EMBEDMENT LENGTH
C	PANEL LENGTH
D	OVERALL GATE LENGTH
E	GATE HEIGHT

TYMETAL
 SECURITY GATES & PERIMETER SOLUTIONS
 GREENWICH, N.Y. 12834
 PH: (800) 328-4283 - FX: (518) 692-9404

PROJECT: Box Frame Roller Gate
 DRAWN BY: MAM
 DATE: 2/9/23
 CHECKED BY: BGG
 DATE: 2/9/23
 SCALE: As Noted
 REVISION LEVEL: R19
 ARCHITECT/ENGINEER: BR100-1L
 CONTRACTOR:
 DRAWING NUMBER: 1 of 2
 SHEET NUMBER: BoxFrame Roller BR100 R19
 DIRECTORY/CAD FILE:



2 ELEVATION
BR100-IR Scale: None

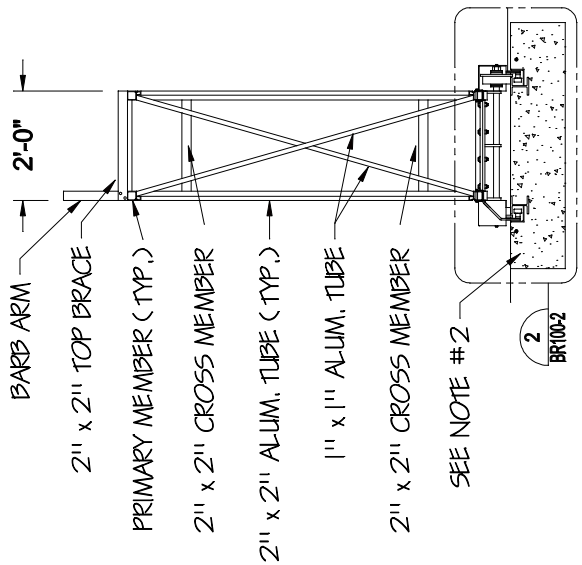
RIGHT TO OPEN

NOTES:

- EMBEDDED W4 x 13 I-BEAM TRACK SYSTEM PROVIDED BY TYMETAL AND SHIPPED IN 10' TO 20' LENGTHS.
- THE TOTAL NUMBER OF PANELS REQUIRED WILL VARY DEPENDING ON THE OVERALL GATE LENGTH AND WILL BE DETERMINED AS FOLLOWS: DIVIDE THE OVERALL GATE LENGTH BY 48 AND ROUND UP TO THE NEAREST WHOLE NUMBER.
- CONCRETE FOOTING SHALL BE SIZED AS REQUIRED BY A LOCAL ENGINEER IN ACCORDANCE WITH ALL JOB SPECIFICATIONS.
- BARB ARMS ARE OPTIONAL.
- HEAT CABLE SUGGESTED FOR INSTALLATIONS IN AREAS WHERE ICING MAY OCCUR. (SUPPLIED BY OTHERS)

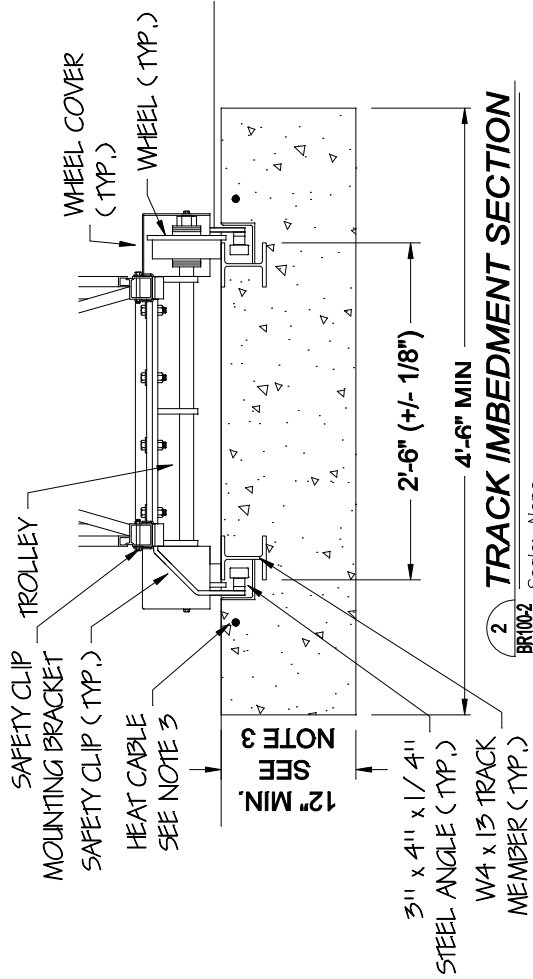
NOMINAL GATE SIZE		
A x E		
CRITICAL DIMENSION CHART		
A	CLEAR OPENING	A
B	EMBEDMENT LENGTH	{2XA}-13'
C	PANEL LENGTH	SEE NOTE 2
D	OVERALL GATE LENGTH	A+5'
E	GATE HEIGHT	E

TYMETAL SECURITY GATES & PERIMETER SOLUTIONS GREENWICH, N.Y. 12834 PH: (800) 328-4283 - FX: (518) 692-9404	DRAWN BY: MAM DATE: 2/9/23	PROJECT: BoxFrame Roller Gate SUB: CONTRACTOR: ARCHITECT/ENGINEER:	DRAWING NUMBER: BR100-1R SHEET NUMBER: 1 of 2
	CHECKED BY: BGG DATE: 2/9/23	REVISION LEVEL: R19 As Noted	DIRECTORY/CAD FILE: BoxFrame Roller BR100 R19



1 ASSEMBLY SECTION

BR1002 Scale: None



2 TRACK IMBEDMENT SECTION

BR1002 Scale: None

- NOTES:
- EMBEDDED W4 x 13 I-BEAM TRACK SYSTEM PROVIDED BY TYMETAL AND SHIPPED IN 10' TO 20' LENGTHS..
 - CONCRETE FOOTING SHALL BE SIZED AS REQUIRED BY A LOCAL ENGINEER IN ACCORDANCE WITH ALL JOB SPECIFICATIONS.
 - HEAT CABLE SUGGESTED FOR INSTALLATIONS IN AREAS WHERE ICING MAY OCCUR. (SUPPLIED BY OTHERS)

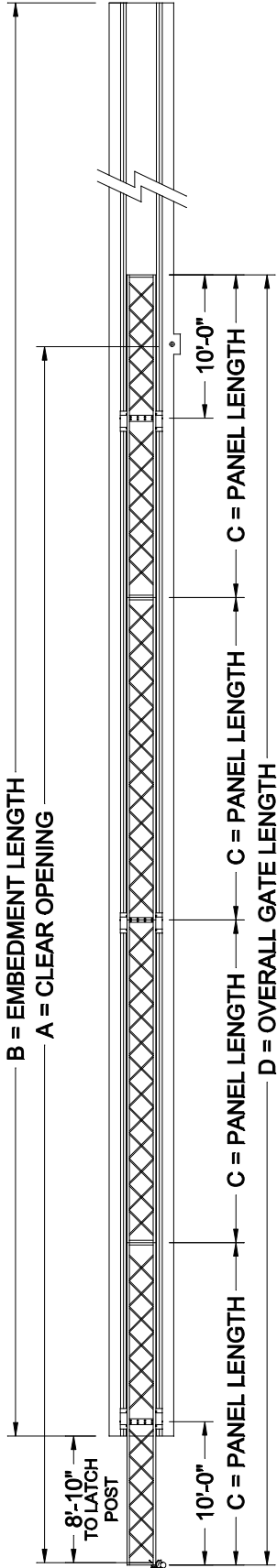
BR100-2

DIRECTORY\CAD FILE:
BoxFrame Roller BR100 R19

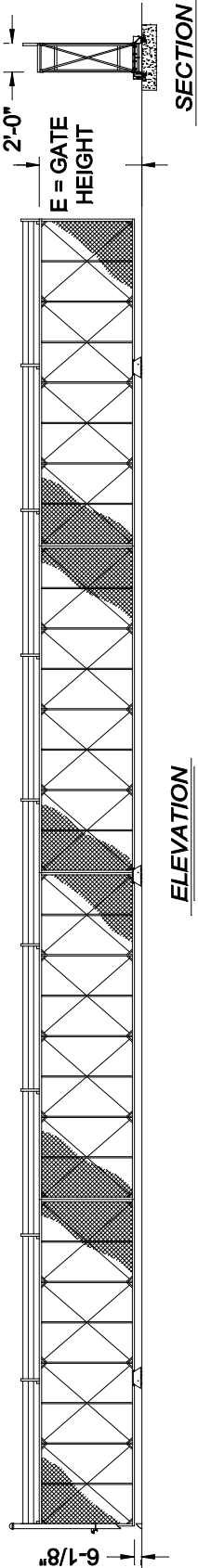
PROJECT: ARCHITECT/ENGINEER:
SUBJECT: CONTRACTOR:
Box Frame Roller Gate Details

DRAWN BY: MAM
DATE: 2/9/23
CHECKED BY: BGG
DATE: 2/9/23
SCALE: As Noted
REVISION LEVEL: R19

TYMETAL
SECURITY GATES & PERIMETER SOLUTIONS
678 WILBUR AVENUE GREENWICH, N.Y. 12834
PH: (800) 328-4283 - FX: (518) 692-9404



PLAN VIEW



ELEVATION

CRITICAL DIMENSION CHART

MARK	DESCRIPTION	FORMULA	DIM. MARK	DESCRIPTION	FORMULA	DIM.
A	CLEAR OPENING	A*	E	GATE HEIGHT	E	
B	EMBEDMENT LENGTH	(2xA) - 13'				
C	PANEL LENGTH	VARIES **				
D	OVERALL GATE LENGTH	A + 5'				

* A: ENTER DESIRED CLEAR OPENING WIDTH FIRST (UP TO 250 FEET), THEN PERFORM CALCULATIONS.
 ** C: DIVIDE OVERALL GATE LENGTH (D) BY 48 AND ROUND UP TO THE NEAREST WHOLE NUMBER. THEN DIVIDE THAT NUMBER INTO THE OVERALL GATE LENGTH.
 EXAMPLE: IF OVERALL GATE LENGTH IS 130', THE NUMBER OF PANELS WILL = 3 (130/48 ROUNDED UP TO NEAREST WHOLE NUMBER) AND THE LENGTH OF EACH PANEL WILL BE 43'-4" LONG (130/3).