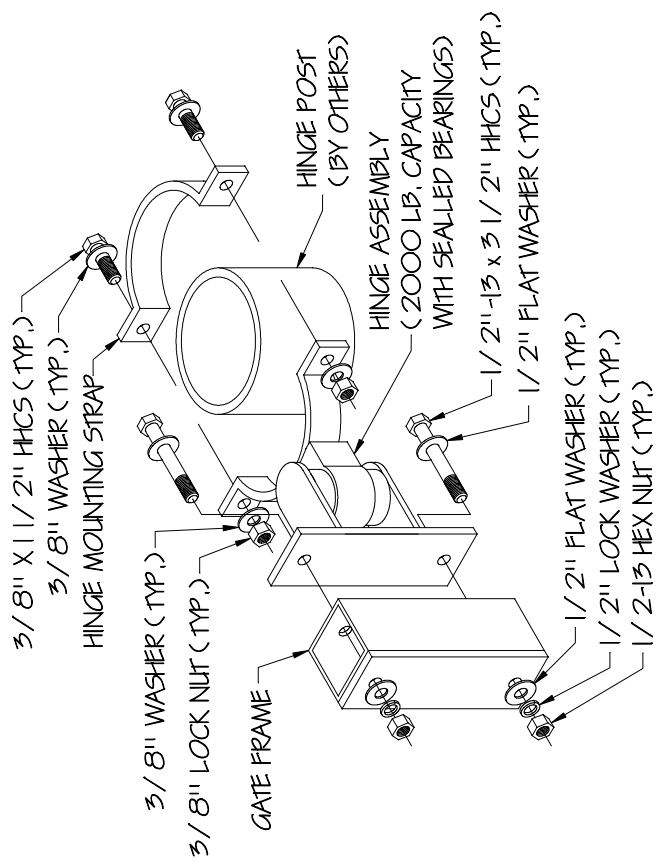


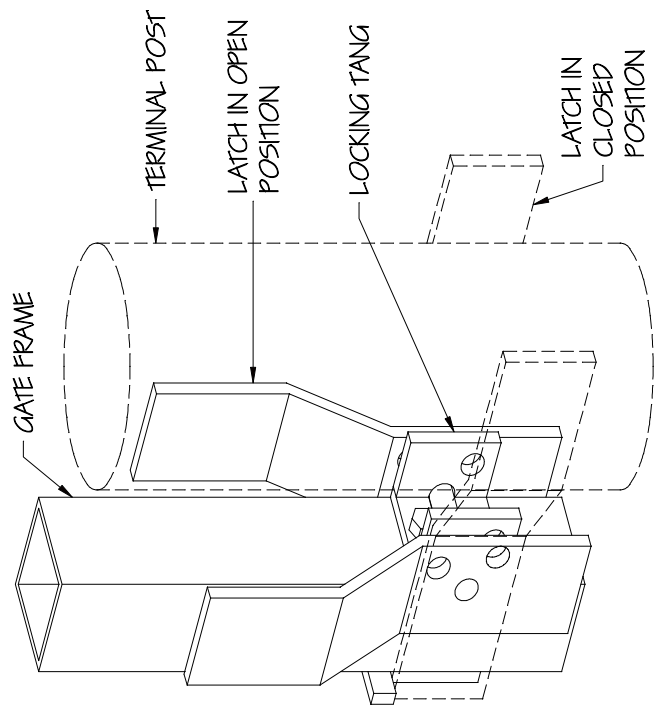
### CRITICAL DIMENSION CHART

A	CLEAR OPENING WIDTH	A*
B	POST HEIGHT	C+(18)
C	NOMINAL GATE HEIGHT	C**
D	GATE FRAME LENGTH	A-(6-1/2")
E	PICKET HEIGHT	6" or as spec'd

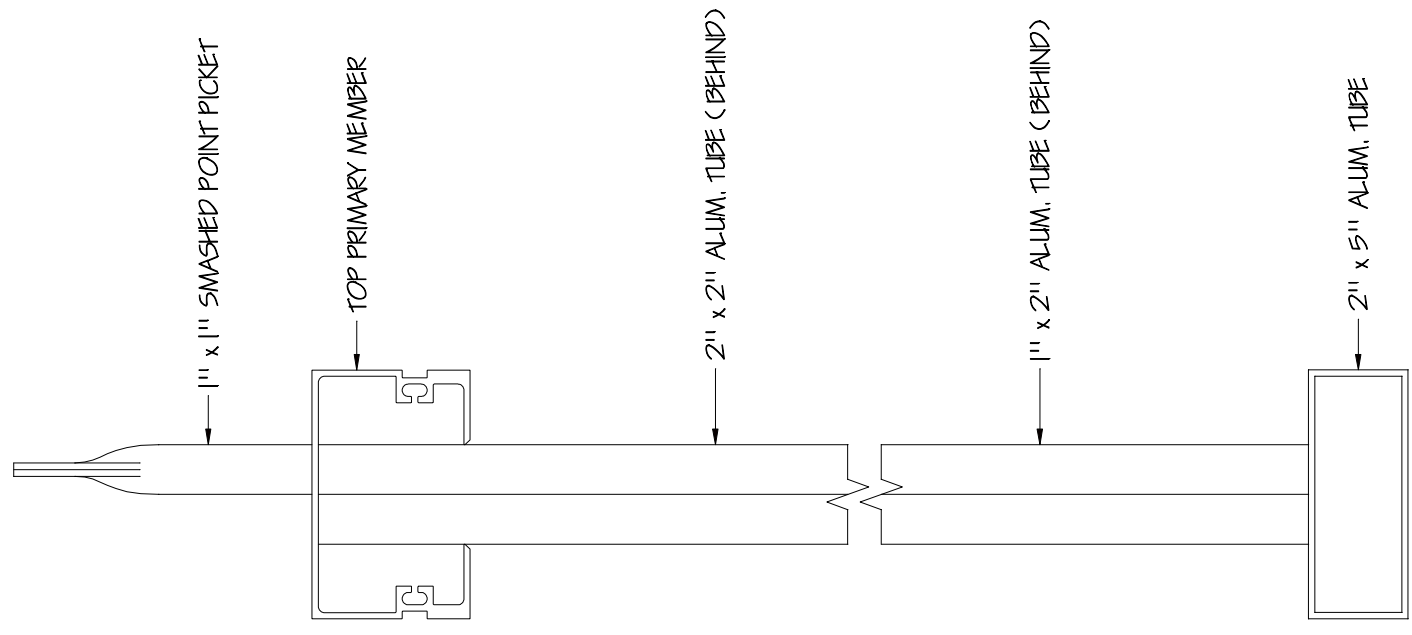
- NOTES:**
- GATE ELEVATION IS VIEWED FROM THE OUTSIDE OF THE SECURE AREA LOOKING IN.
  - HINGE POST SIZE WILL VARY DEPENDING ON THE CLEAR OPENING WIDTH.
  - APPROPRIATE HARDWARE WILL BE PROVIDED AS REQUIRED.



**2 HINGE ASSEMBLY**  
Scale: None



**3 LATCH ASSEMBLY**  
Scale: None



**1 GATE FRAME SECTION**  
Scale: None