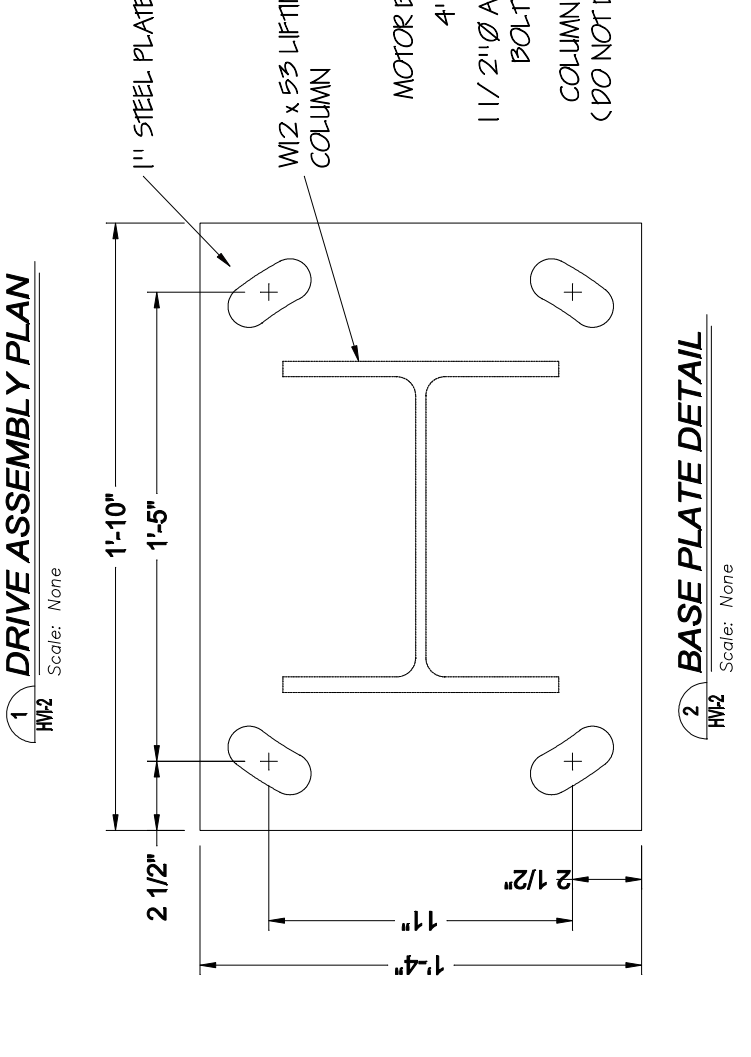
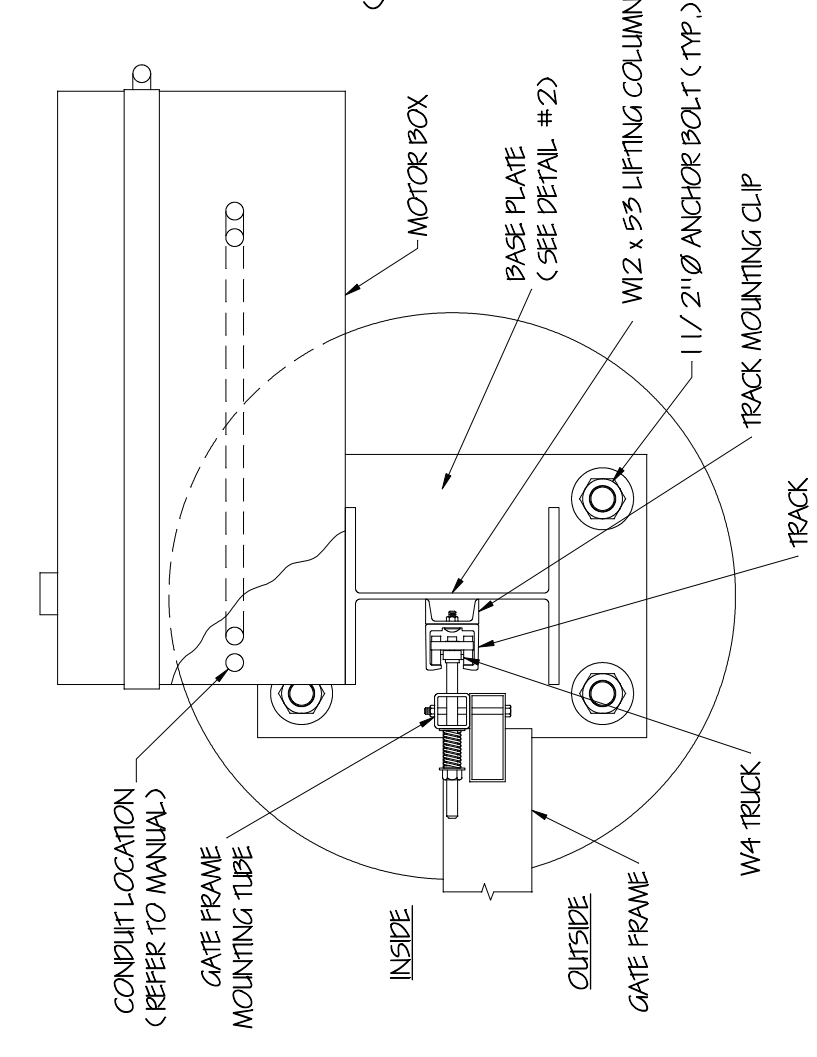
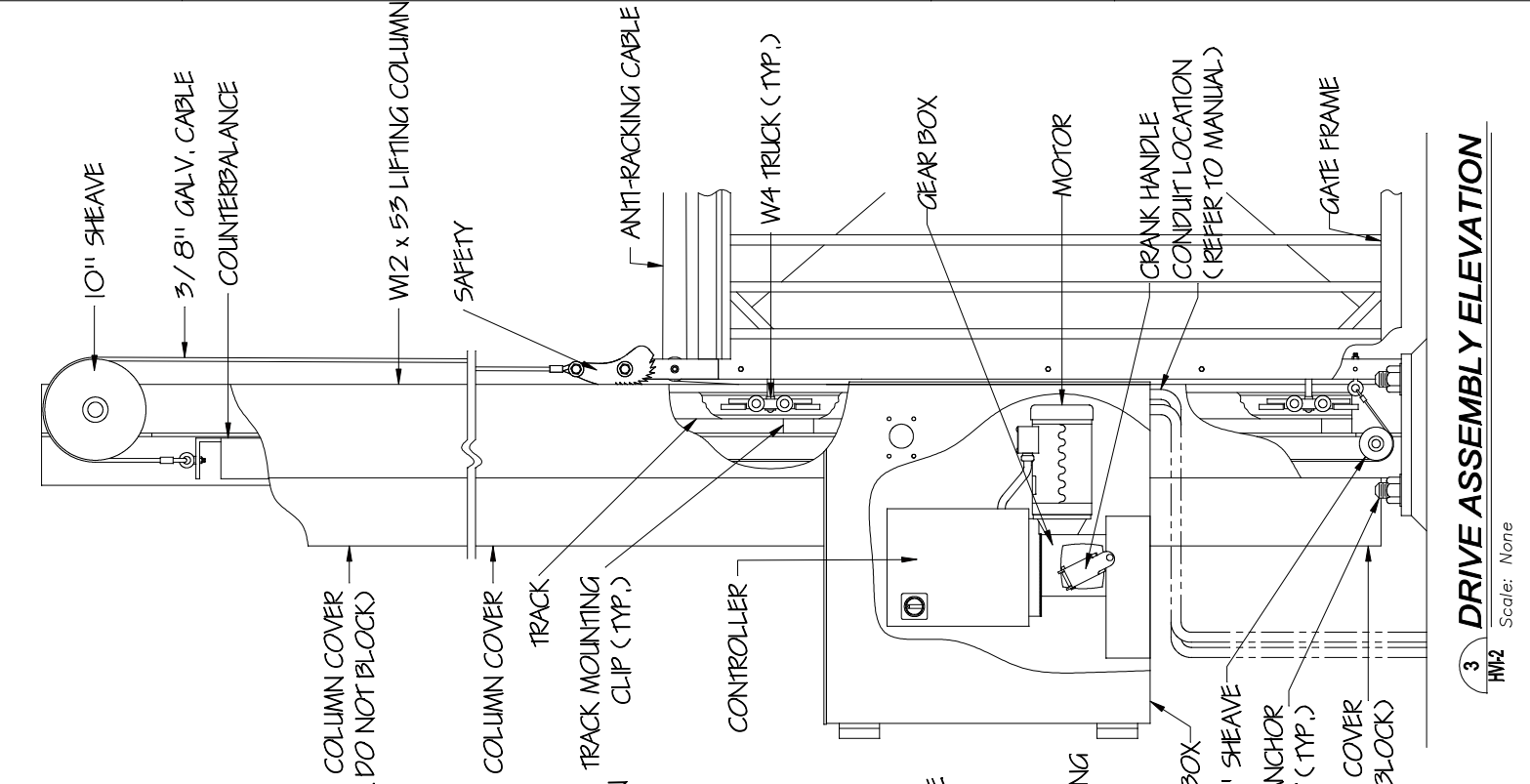
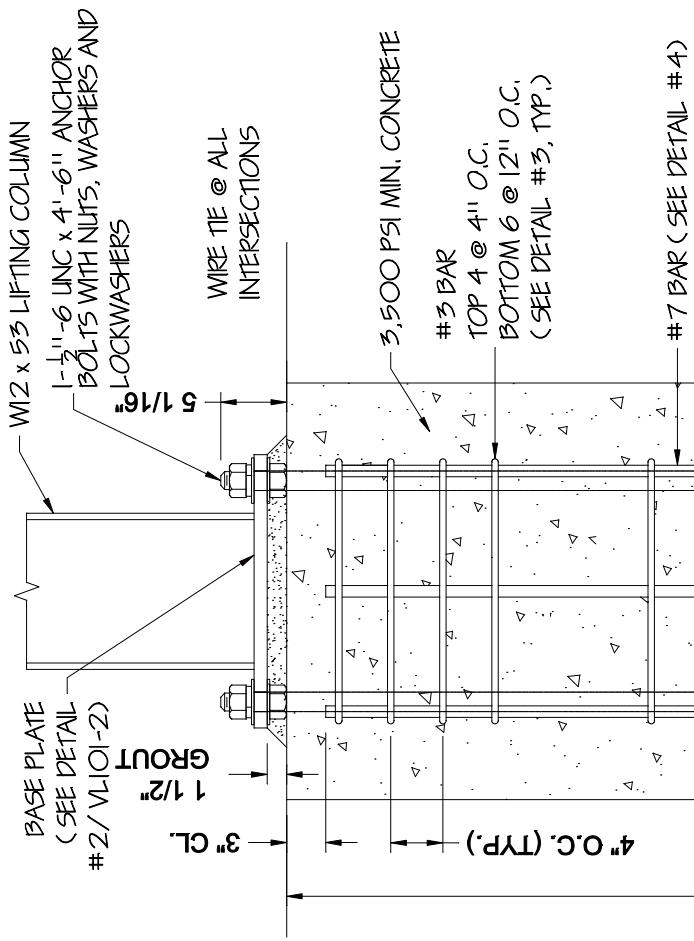
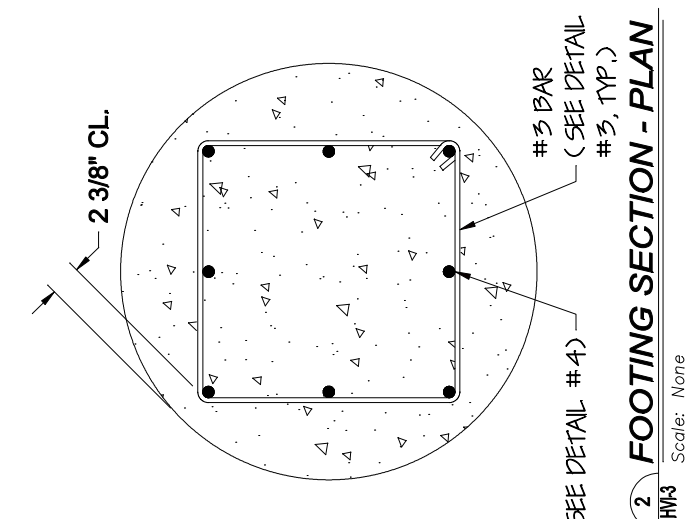


* CONTACT MANUFACTURER REGARDING SIZES GREATER THAN THOSE STATED.

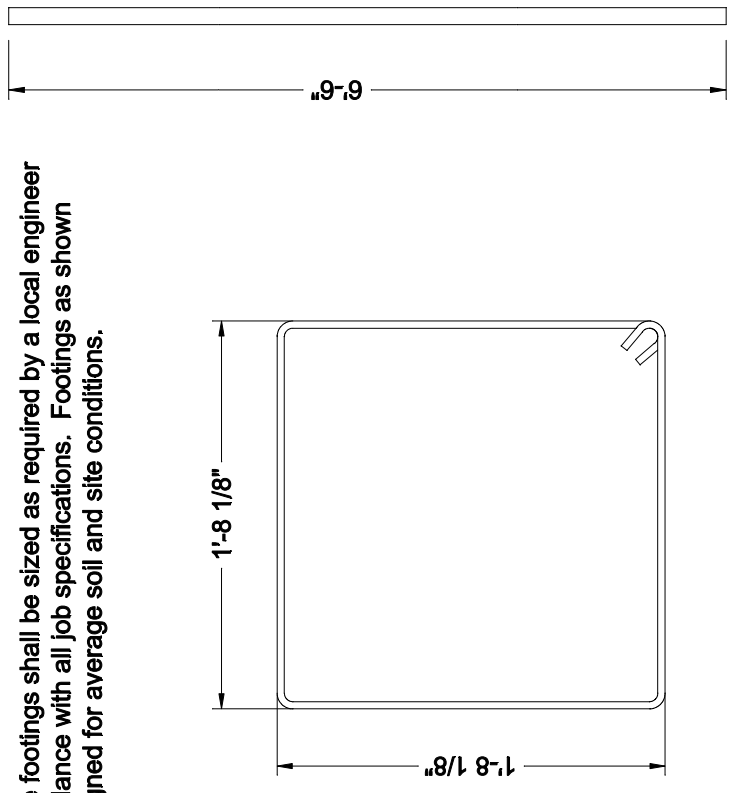
CRITICAL DIMENSION CHART

NOMINAL GATE SIZE		* CONTACT MANUFACTURER REGARDING SIZES GREATER THAN THOSE STATED.			
A	CLEAR OPENING WIDTH	*UP TO 60'	D	GATE HEIGHT	*UP TO 12'
B	LIFTING COLUMN HEIGHT	C + D + 4'-0"	E	OVERALL UNIT WIDTH	A + 2'-11"
C	CLEAR OPENING HEIGHT	*UP TO 15'			





Note:
 Concrete footings shall be sized as required by a local engineer in accordance with all job specifications. Footings as shown are designed for average soil and site conditions.



4 #7 BAR (8 TYP.)
 Scale: None
 HW3

3 #3 BAR (9 TYP.)
 Scale: None
 HW3

2 #3 BAR
 Scale: None
 HW3

TYMETAL
 SECURITY GATES & PERIMETER SOLUTIONS
 678 WILBUR AVENUE GREENWICH, N.Y. 12834
 PH: (800) 328-4283 - FX: (518) 692-9404

REVISION LEVEL: R11
SCALE: As Noted
DATE: 1/27/21
CHECKED BY: BGG
DATE: 1/27/21
DRAWN BY: SJD

PROJECT: Anti-Racking Mechanism	ARCHITECT/ENGINEER:
SUBJECT:	CONTRACTOR:
DIRECTORY\CAD FILE:	DRAWING NUMBER:
HV1-4	4 of 4

