

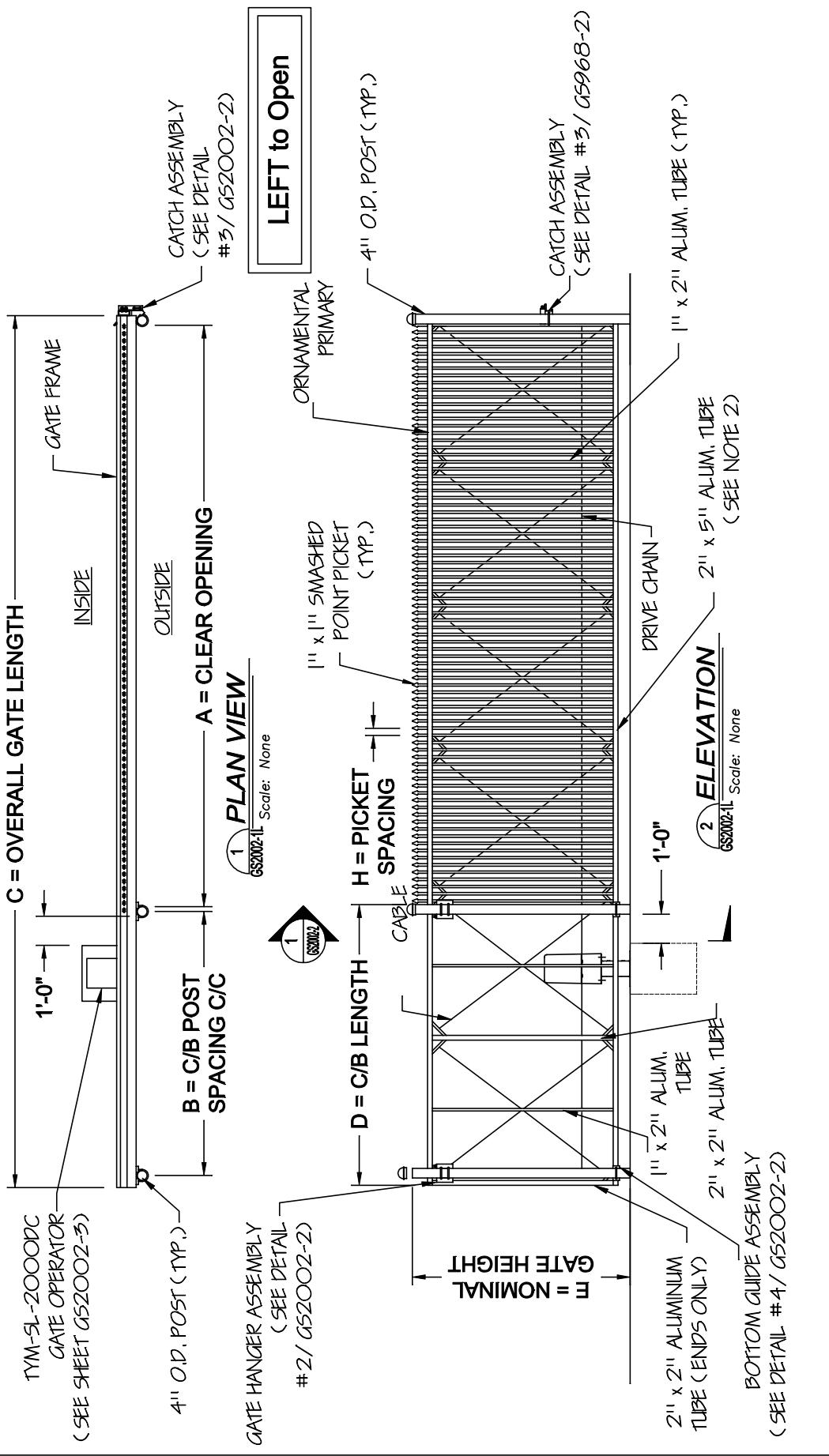
CRITICAL DIMENSION CHART	
A	CLEAR OPENING
B	COUNTERBALANCE POST SPACING C/C
C	OVERALL GATE LENGTH
D	COUNTERBALANCE LENGTH
E	NOMINAL GATE HEIGHT
F	POST HEIGHT
G	PICKET HEIGHT
H	PICKET SPACING

NOTES:

- ALL FITTINGS PROVIDED FOR 4" O.D. POSTS. OTHER SIZES ARE AVAILABLE UPON REQUEST.
- FOR GATES THAT REQUIRE TWO PIECE FABRICATION, A 5" ALUMINUM CHANNEL WILL BE SUBSTITUTED FOR THE 2" x 5" ALUM. TUBE AND A VERTICAL SPLICE WILL BE ADDED.
- GATE ELEVATION IS VIEWED FROM OUTSIDE OF THE SECURE AREA LOOKING IN.
- THIS GENERIC DRAWING SHOWS A TYPICAL GATE. GATE MANUFACTURED MAY NOT BE EXACTLY AS SHOWN.
- GATE FINISH TO BE POWDER COATED STOCK, STANDARD BLACK.

NOMINAL GATE SIZE

RIGHT to Open



CRITICAL DIMENSION CHART

A	CLEAR OPENING	A
B	COUNTERBALANCE POST SPACING C/C	(A/2) - 11"
C	OVERALL GATE LENGTH	A x 1.5
D	COUNTERBALANCE LENGTH	A x 0.5
E	NOMINAL GATE HEIGHT	E
F	POST HEIGHT	E + 0
G	PICKET HEIGHT	AS SPEC'D
H	PICKET SPACING	3" O.C.

NOTES:

1. ALL FITTINGS PROVIDED FOR 4" O.D. POSTS. OTHER SIZES ARE AVAILABLE UPON REQUEST.
2. FOR GATES THAT REQUIRE TWO PIECE FABRICATION, A 5" ALUMINUM CHANNEL WILL BE SUBSTITUTED FOR THE 2" x 5" ALUM. TUBE AND A VERTICAL SPLICE WILL BE ADDED.
3. GATE ELEVATION IS VIEWED FROM OUTSIDE OF THE SECURE AREA LOOKING IN.
4. THIS GENERIC DRAWING SHOWS A TYPICAL GATE. GATE MANUFACTURED MAY NOT BE EXACTLY AS SHOWN.
5. GATE FINISH TO BE POWDER COATED STOCK, STANDARD BLACK.

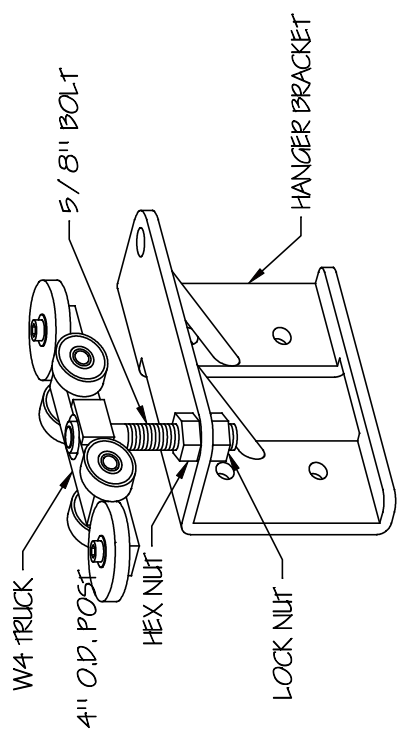
NOMINAL GATE SIZE

GS2002-2
DRAWING NUMBER:
2 of 3
SHEET NUMBER:
THIS IS AN UNCONTROLLED COPY OF A CONTROLLED DOCUMENT
DIRECTOR/CAD FILE:

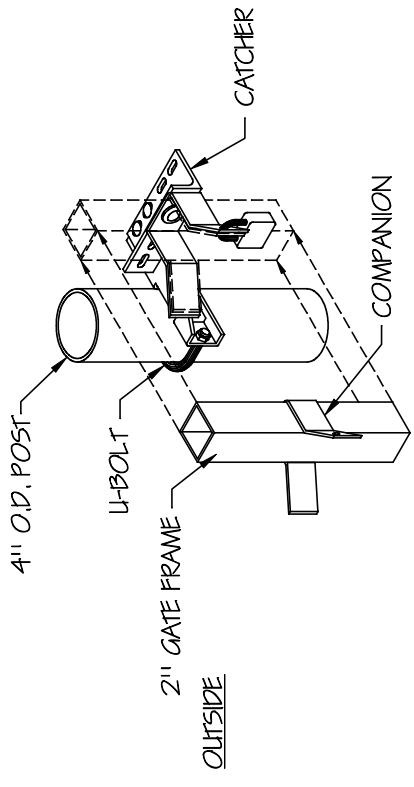
PROJECT:
SUBJECT: Heavy Duty Cantilever Slide Gate Details
CONTRACTOR:
ARCHITECT/ENGINEER:

DRAWN BY: MAM
DATE: 9/29/22
CHECKED BY: BGG
DATE: 9/29/22
SCALE:
As Noted
REVISION LEVEL:
R0

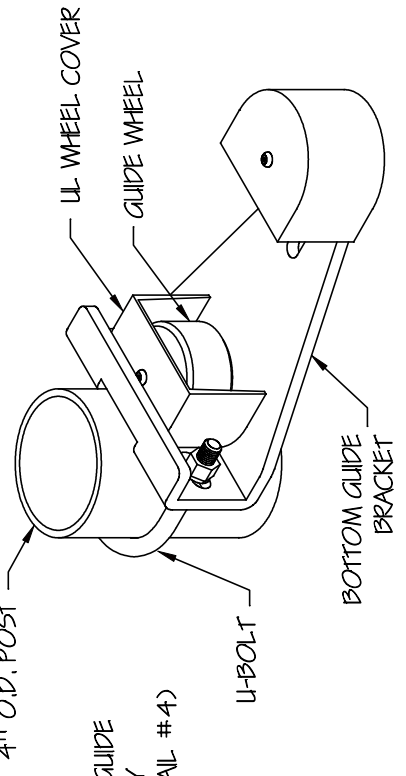
Tymetal
SECURITY GATES & PERIMETER SOLUTIONS
678 WILBUR AVENUE GREENWICH, N.Y. 12834
PH: (800) 328-4283 - FX: (518) 692-9404



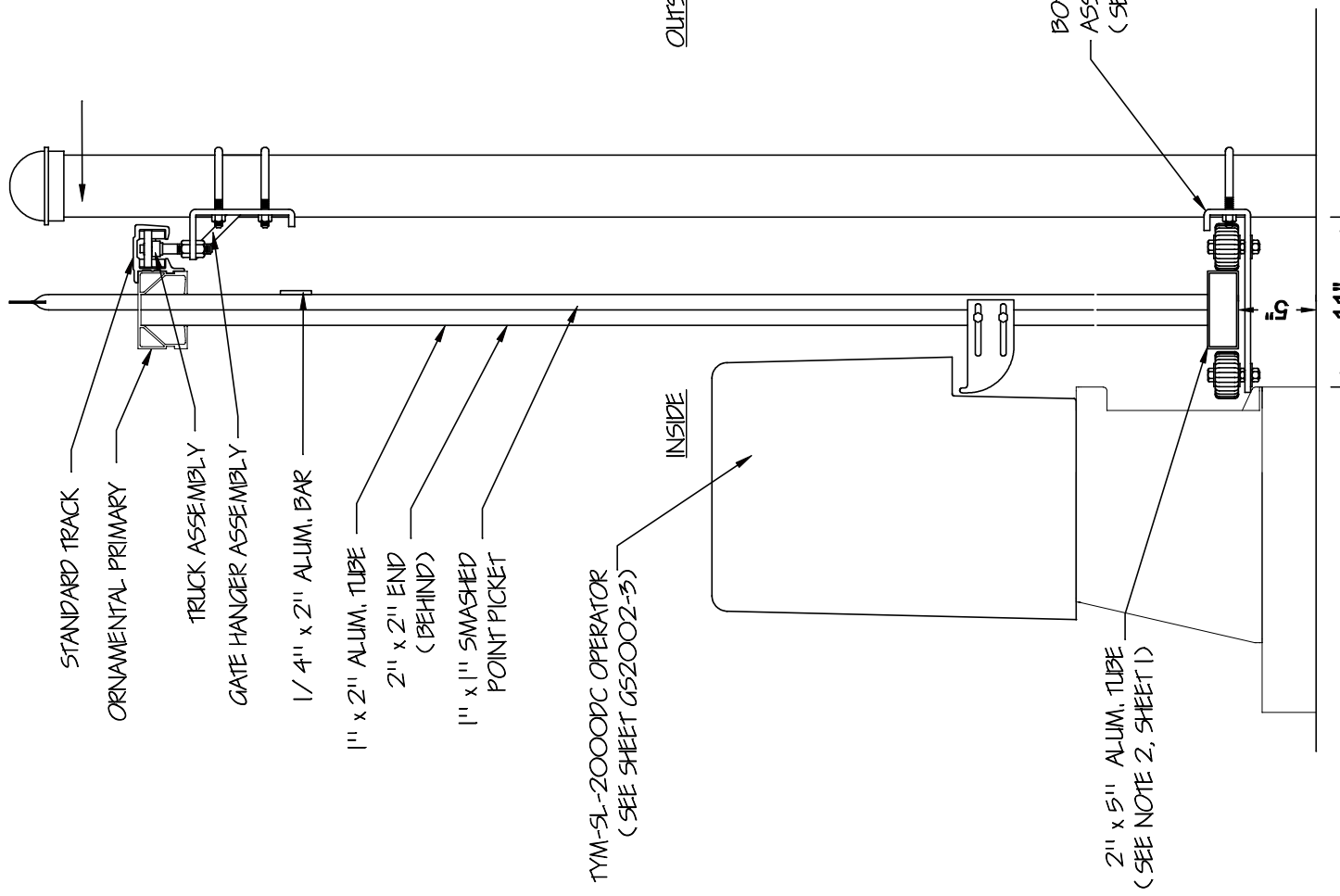
2 GATE HANGER
GS2002-2 Scale: None



3 CATCH ASSEMBLY
GS2002-2 Scale: None



4 BOTTOM GUIDE
GS2002-2 Scale: None



1 ASSEMBLY SECTION
GS2002-2 Scale: None

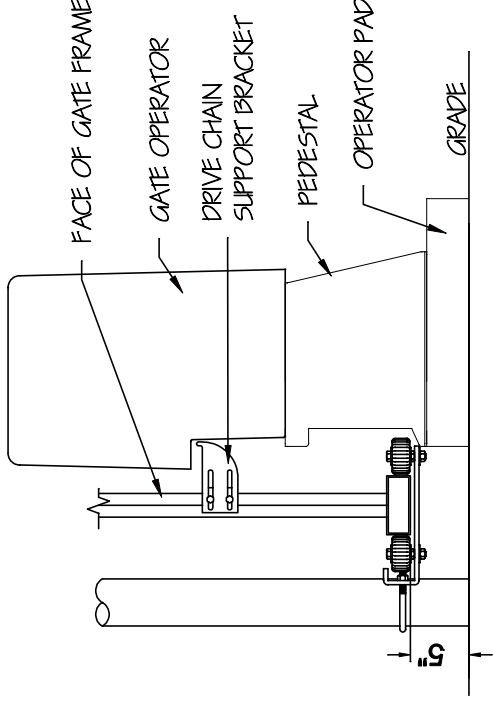
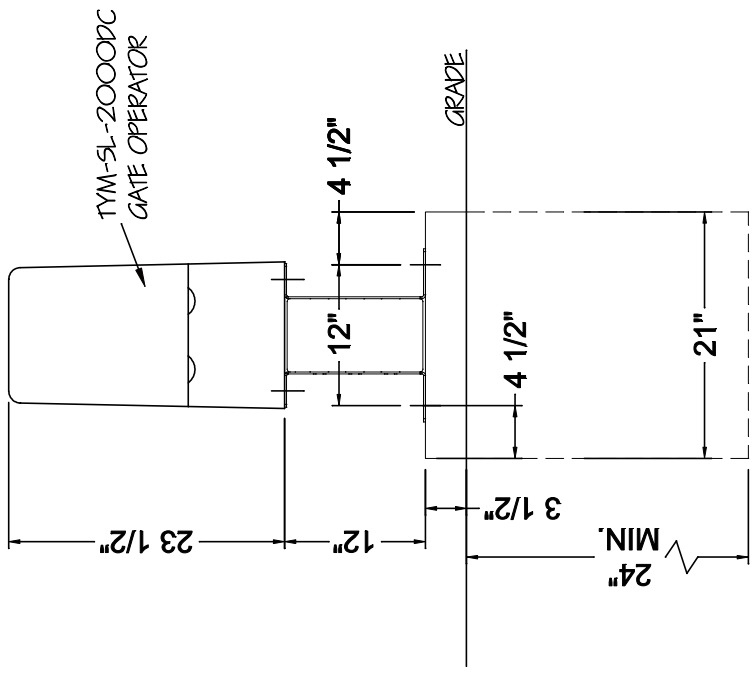
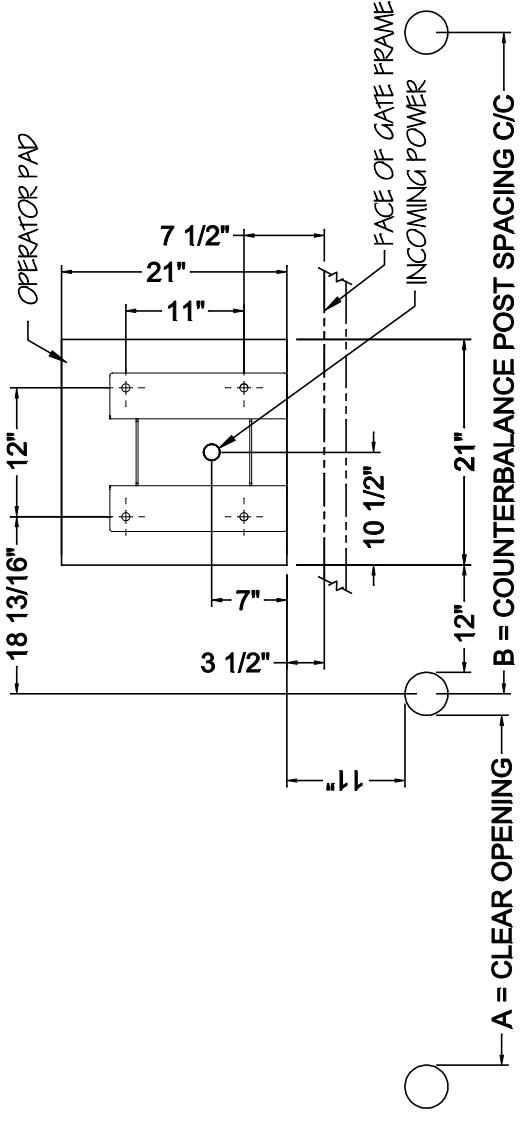
GS2002-3
DRAWING NUMBER:
3 of 3
SHEET NUMBER:
TYM-SL-2000DC GATE OPERATOR DETAILS

PROJECT:
CONTRACTOR:
ARCHITECT/ENGINEER:
SUBJECT: TYM-SL-2000DC Gate Operator Details

DRAWN BY: MAM
DATE: 9/29/22
CHECKED BY: BGG
DATE: 9/29/22
SCALE: As Noted
REVISION LEVEL: R0

TYMETAL
SECURITY GATES & PERIMETER SOLUTIONS
678 WILBUR AVENUE GREENWICH, N.Y. 12834
PH: (800) 328-4283 - FX: (518) 692-9404

NOTES:
1) OPERATOR PAD DEPTH TO BE MINIMUM OF 24" AND IN ACCORDANCE WITH ALL LOCAL CODES AND SOIL CONDITIONS.



2 OPERATOR FRONT ELEVATION
Scale: None

3 OPERATOR SIDE ELEVATION
Scale: None