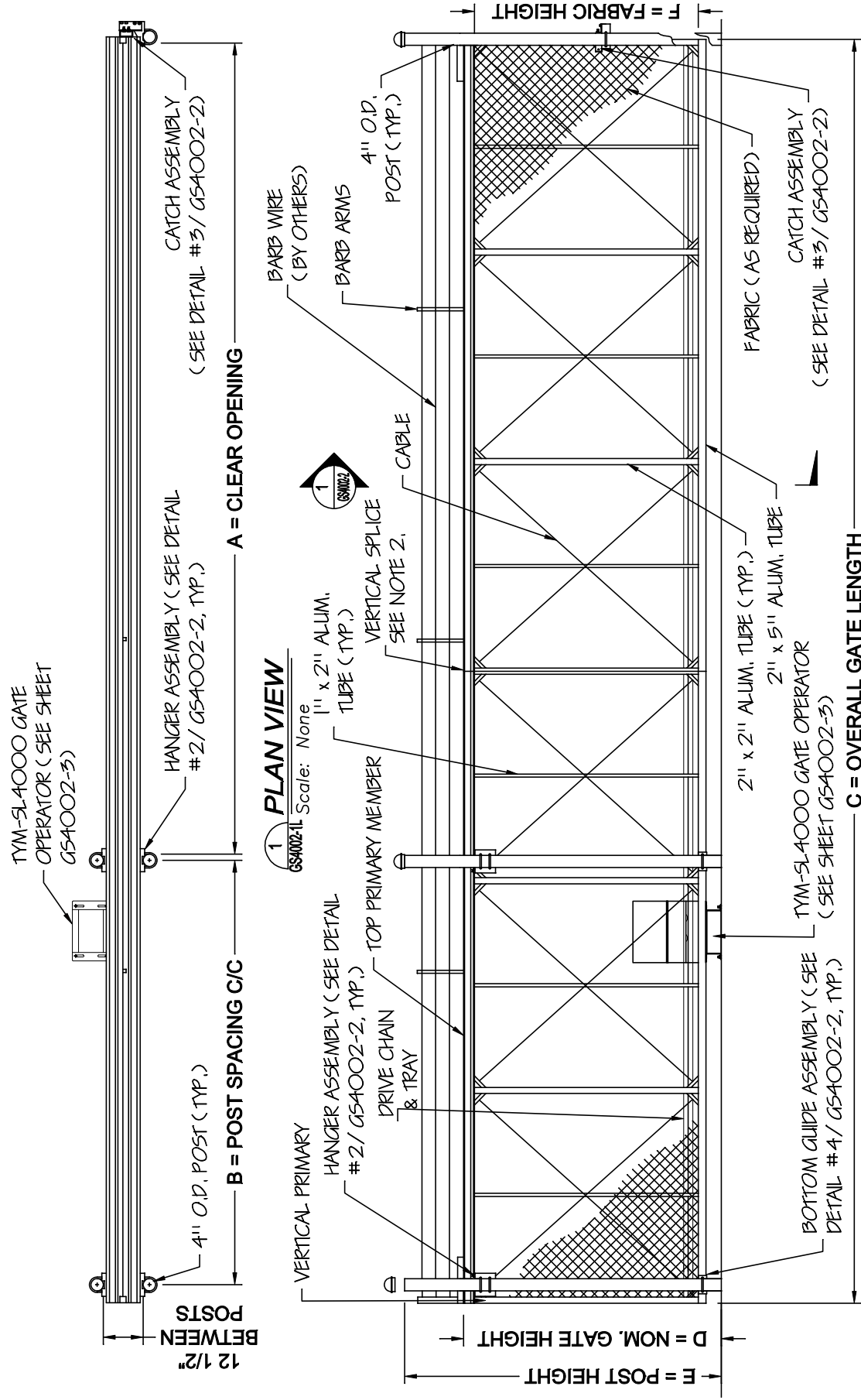


- NOTES:**
- ALL FITTINGS PROVIDED FOR 4" O.D. POSTS. OTHER SIZES ARE AVAILABLE UPON REQUEST.
 - FOR GATES THAT REQUIRE TWO PIECE FABRICATION, A 5" ALUMINUM CHANNEL WILL BE SUBSTITUTED FOR THE 2" x 5" ALUM. TUBE, AND A VERTICAL SPLICE WILL BE ADDED.
 - BARB ARMS ARE OPTIONAL
 - FINISH: GATE IS MILL FINISHED.

CRITICAL DIMENSION CHART

NOMINAL GATE SIZE	A	CLEAR OPENING	A	D	NOMINAL GATE HEIGHT	D
	B	POST SPACING C/C	(A/2) - 11"	E	POST HEIGHT	D + 1'-6"
	C	OVERALL GATE LENGTH	A x 1.5	F	FABRIC HEIGHT	D - 1'-0"



NOTES:

1. ALL FITTINGS PROVIDED FOR 4" O.D. POSTS. OTHER SIZES ARE AVAILABLE UPON REQUEST.
2. FOR GATES THAT REQUIRE TWO PIECE FABRICATION, A 5" ALUMINUM CHANNEL WILL BE SUBSTITUTED FOR THE 2" x 5" ALUM. TUBE, AND A VERTICAL SPLICE WILL BE ADDED.
3. BARB ARMS ARE OPTIONAL
4. FINISH: GATE IS MILL FINISHED.

CRITICAL DIMENSION CHART

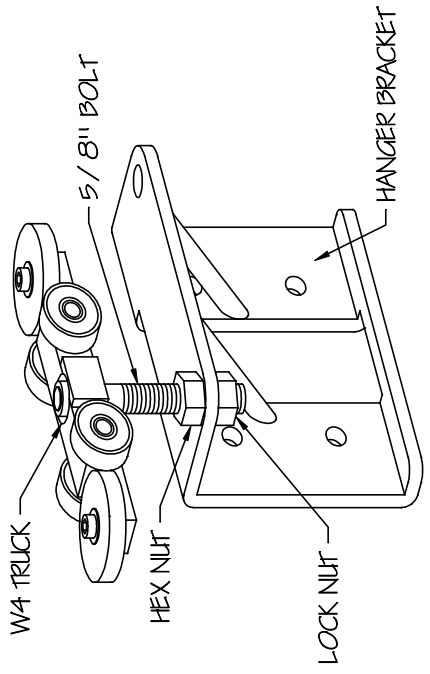
NOMINAL GATE SIZE	A	CLEAR OPENING	A	D	NOMINAL GATE HEIGHT	D
	B	POST SPACING C/C	(A/2) - 11"	E	POST HEIGHT	D + 1'-6"
	C	OVERALL GATE LENGTH	A x 1.5	F	FABRIC HEIGHT	D - 1'-0"

GS4002-2
DRAWING NUMBER:
2 of 3
SHEET NUMBER:
TYM-Metal Structural GS4002-2
DIRECTOR\CAD FILE:

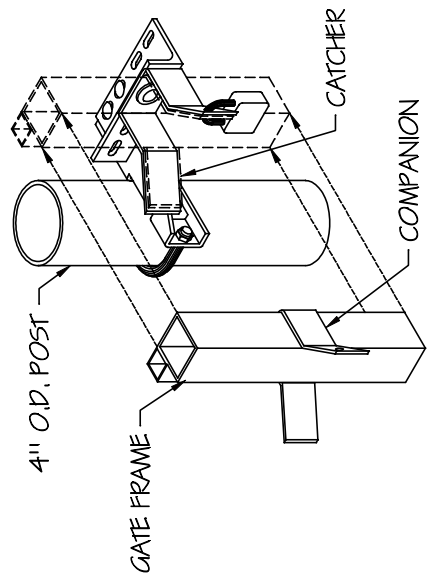
PROJECT:
SUBJECT: Structural Cantilever Slide Gate Details
CONTRACTOR:
ARCHITECT/ENGINEER:

DRAWN BY: BGG
DATE: 11/9/22
CHECKED BY: JDT
DATE: 11/9/22
SCALE: As Noted
REVISION LEVEL: R0

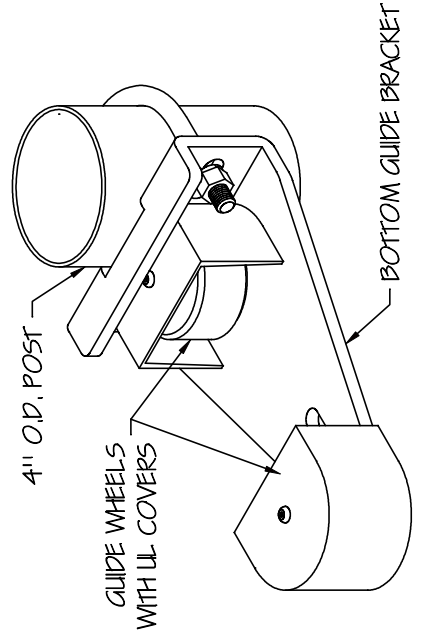
TYMETAL
SECURITY GATES & PERIMETER SOLUTIONS
678 WILBUR AVENUE GREENWICH, N.Y. 12834
PH: (800) 328-4283 - FX: (518) 692-9404



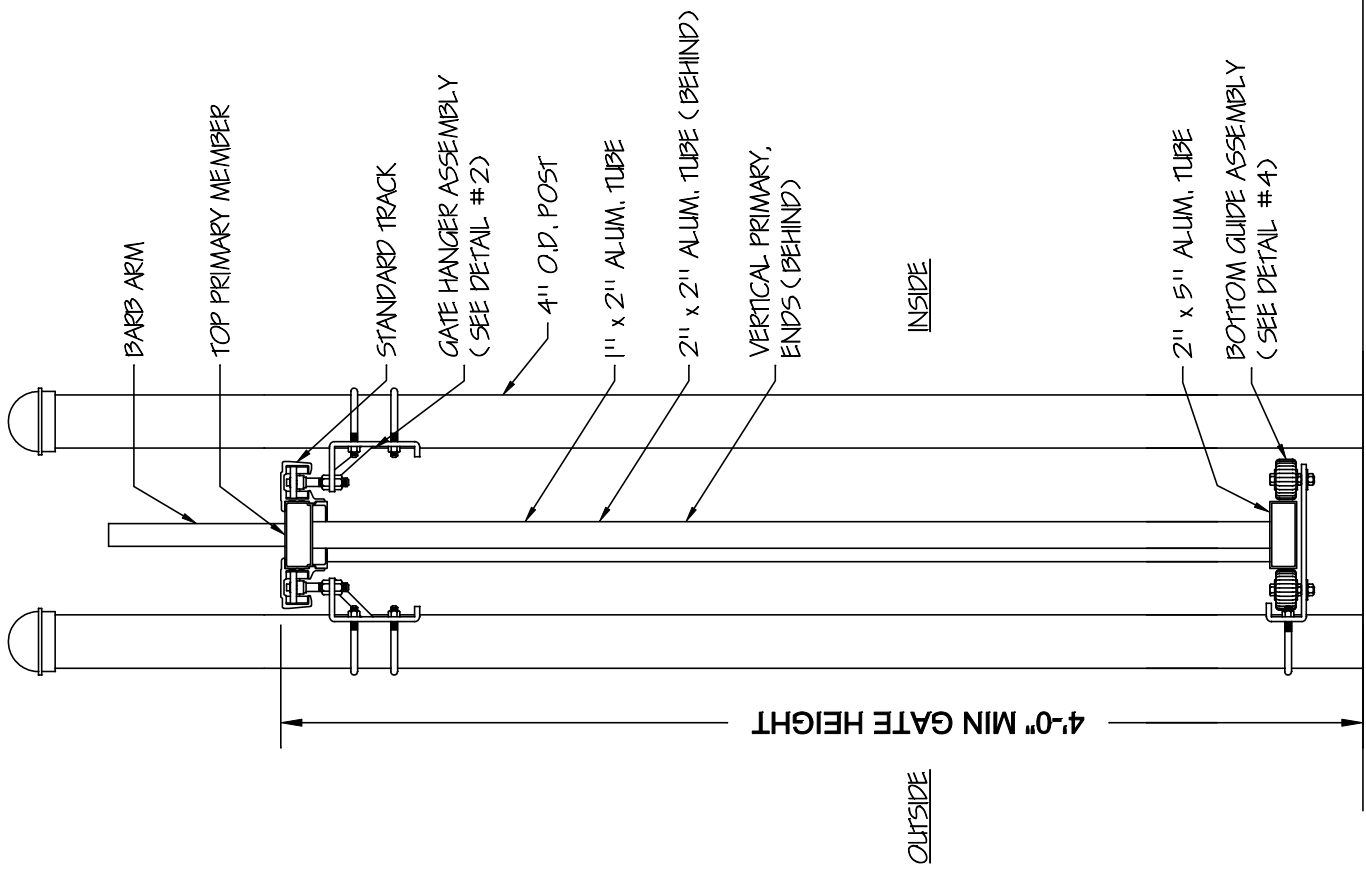
2 GATE HANGER
Scale: None



3 CATCH ASSEMBLY
Scale: None



4 BOTTOM GUIDE
Scale: None



1 ASSEMBLY SECTION
Scale: None

4'-0" MIN GATE HEIGHT

INSIDE

OUTSIDE

GS4002-3
DRAWING NUMBER:
3 of 3
SHEET NUMBER:
TYM-SL4000 Structural GS4002.R0
DIRECTOR\CAD FILE:

PROJECT:
SUBJECT: TYM-SL4000 Gate Operator
CONTRACTOR:
ARCHITECT/ENGINEER:

DRAWN BY: BGG
DATE: 11/9/22
CHECKED BY: JDJ
DATE: 11/9/22
SCALE:
As Noted
REVISION LEVEL:
R0

TYMETAL
SECURITY GATES & PERIMETER SOLUTIONS
678 WILBUR AVENUE GREENWICH, N.Y. 12834
PH: (800) 328-4283 - FX: (518) 692-9404

NOTES:
1) OPERATOR PAD DEPTH TO BE IN ACCORDANCE WITH ALL LOCAL CODES AND SOIL CONDITIONS.

