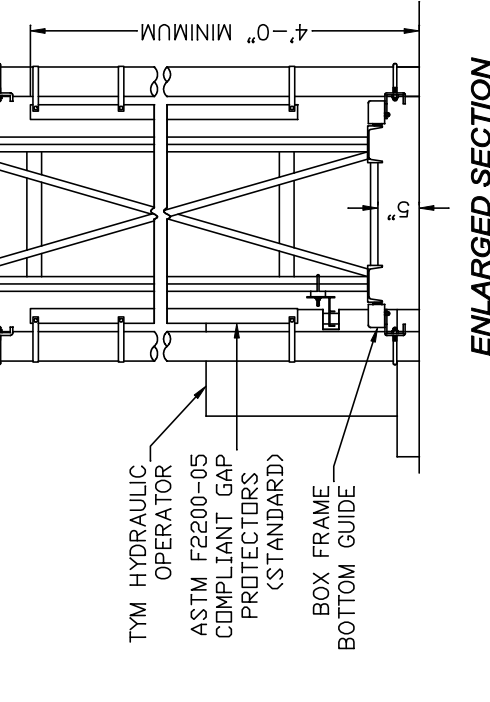
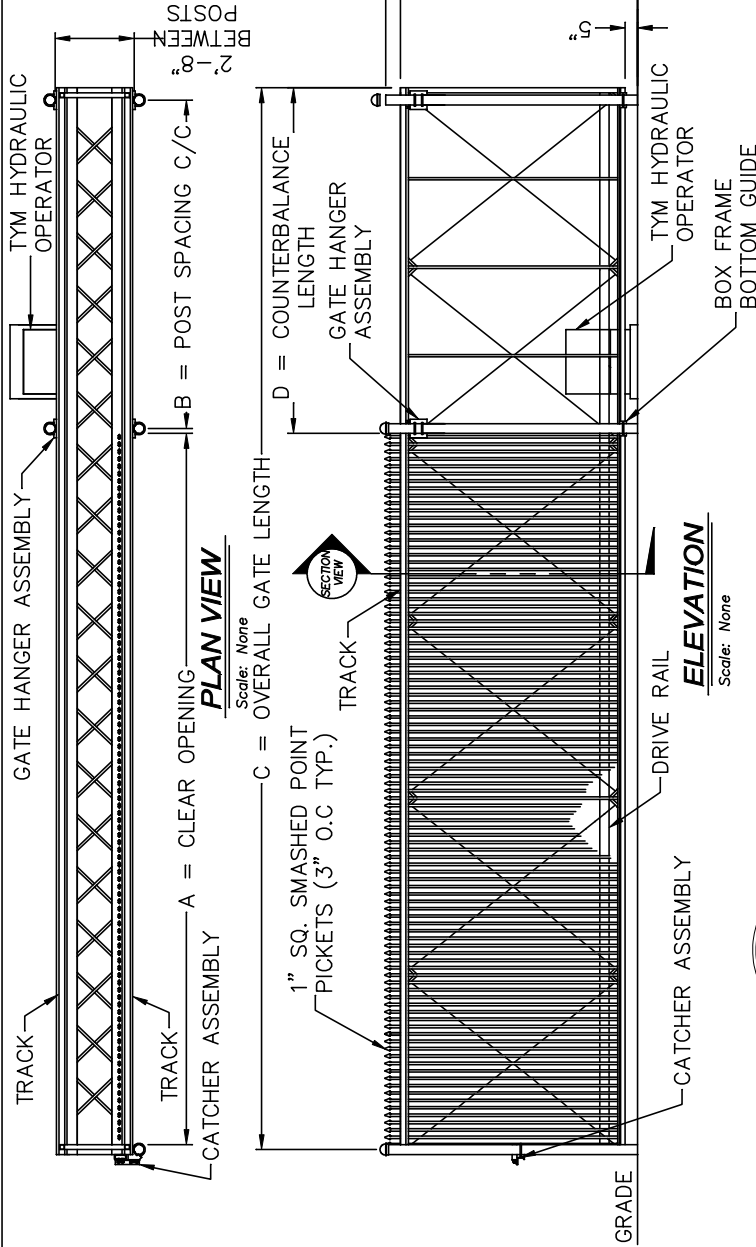


CRITICAL DIMENSION CHART			
MARK	DESCRIPTION	FORMULA	DIM.
A	CLEAR OPENING	A	-
B	COUNTERBALANCE POST SPACING C/C	(A/2)-11"	-
C	OVERALL GATE LENGTH	A x 1.5	-
D	COUNTERBALANCE LENGTH	A x 0.5	-
E	NOMINAL GATE HEIGHT	E	-
F	POST HEIGHT	E + 6"	-
G	PICKET HEIGHT	G	-



REV. 1 - 2/16/24
Scale: None

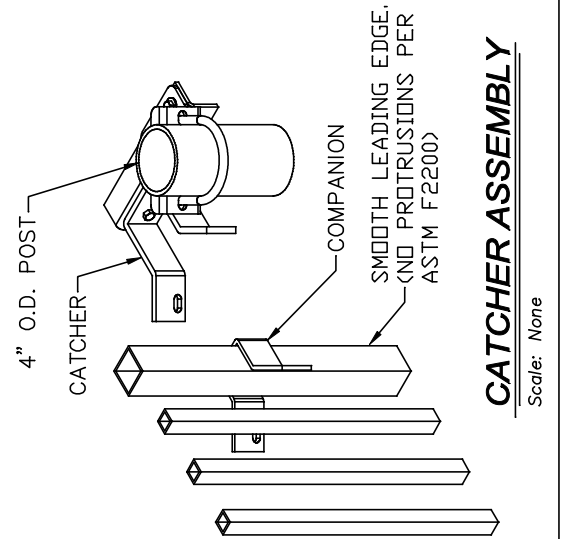
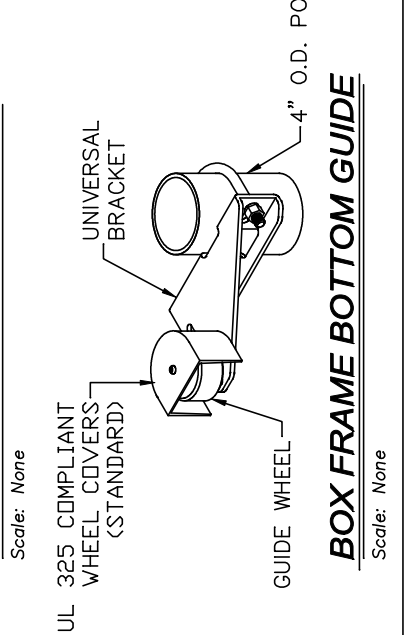
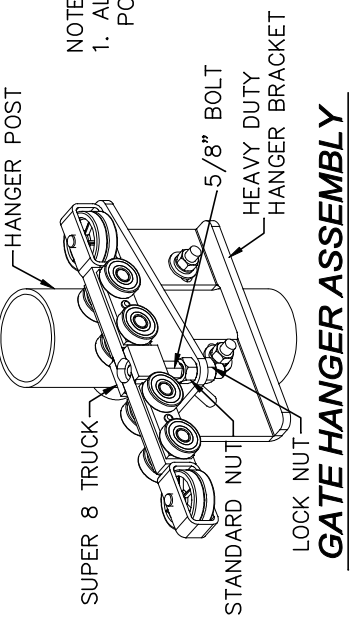
ENLARGED SECTION
Scale: None

TYMETAL CORP.
www.tymetal.com

678 WILBUR AVENUE
GREENWICH, N.Y. 12834
PH: (600) 328-4283 - (518) 692-9830

TYM-HYD-B SECURITY GATE SYSTEM
(WITH ORNAMENTAL BOX FRAME CANTILEVER GATE)

NOTES:
1. ALL FITTINGS STANDARDLY PROVIDED FOR 4" O.D. POSTS. OTHER SIZES AVAILABLE UPON REQUEST.



CATCHER ASSEMBLY
Scale: None

BOX FRAME BOTTOM GUIDE
Scale: None