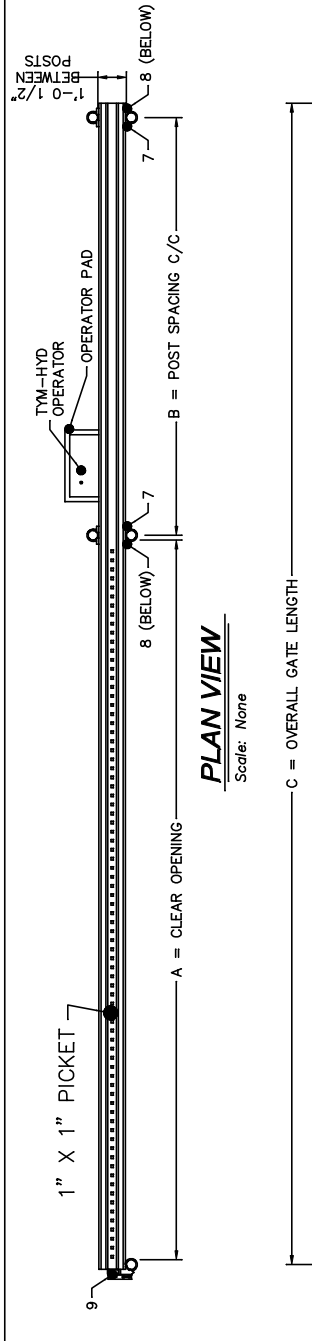
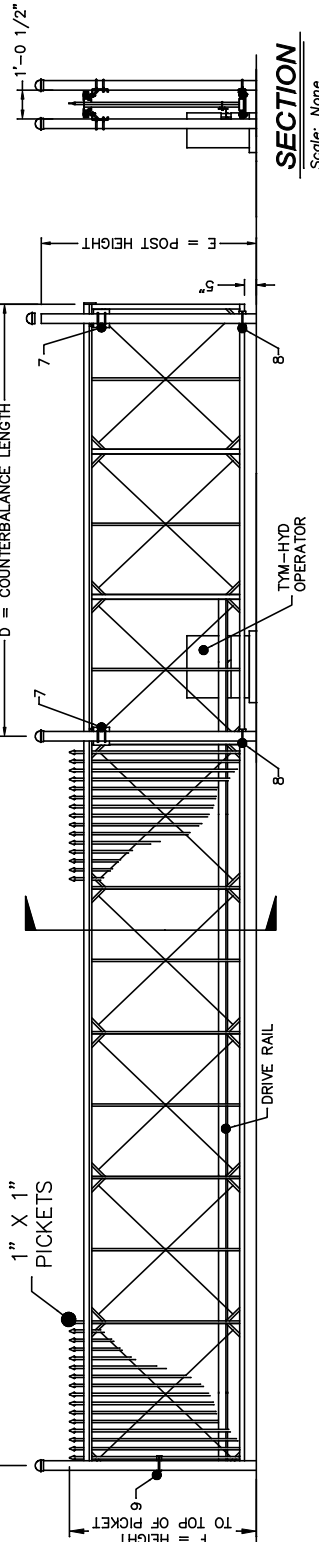


**CRITICAL DIMENSION CHART**

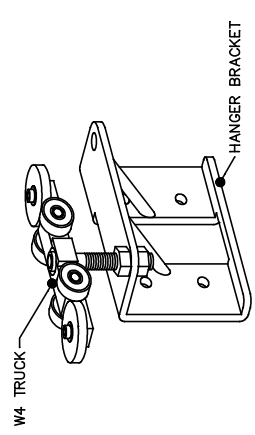
MARK	DESCRIPTION	FORMULA	DIM.
A	CLEAR OPENING	A	-
B	COUNTERBALANCE POST SPACING C/C	(A/2)-11"	-
C	OVERALL GATE LENGTH	A x 1.5	-
D	COUNTERBALANCE LENGTH	A x 0.5	-
E	POST HEIGHT	E = F	-
F	HEIGHT TO TOP OF PICKET	F	-
G	PICKET HEIGHT	G	-



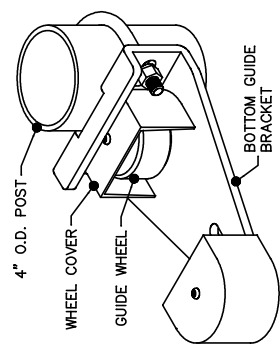
**PLAN VIEW**  
Scale: None



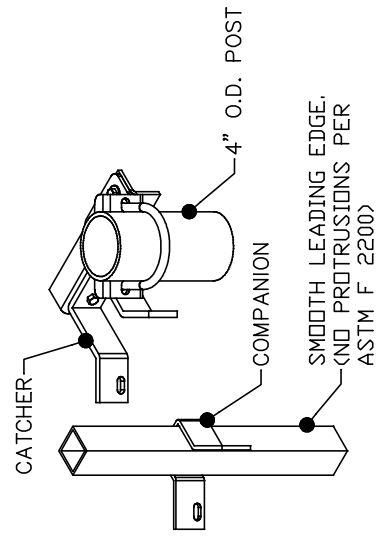
**ELEVATION**  
Scale: None



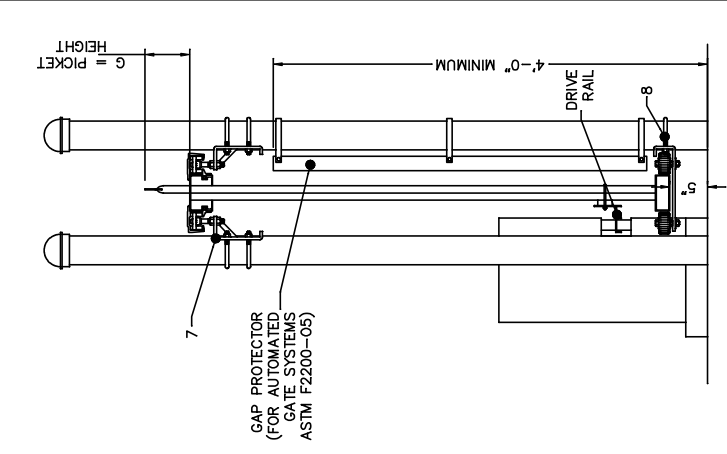
**7 GATE HANGER ASSEMBLY**  
Scale: None



**8 BOTTOM GUIDE**  
Scale: None



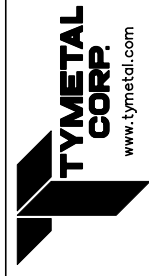
**9 CATCH ASSEMBLY**  
Scale: None



**OPERATOR SIDE ELEVATION**  
Scale: None

- NOTES:
- FOR COMPLETE INFORMATION ON THE TYM-HYD OPERATOR VISIT THE "GATE OPERATORS" SECTION OF THE WEB SITE.
  - ALL FITTINGS STANDARDLY PROVIDED FOR 4" O.D. POSTS. OTHER SIZES AVAILABLE UPON REQUEST.
  - BARB ARMS (FOR BARBED WIRE) OPTIONAL.

REV. 1 - 2/16/24



678 WILBUR AVENUE  
GREENWICH, N.Y. 12834  
PH: (800) 328-4283 - (518) 692-9930

**TYM-HYD SECURITY GATE SYSTEM**  
(WITH ORNAMENTAL STRUCTURAL GATE)