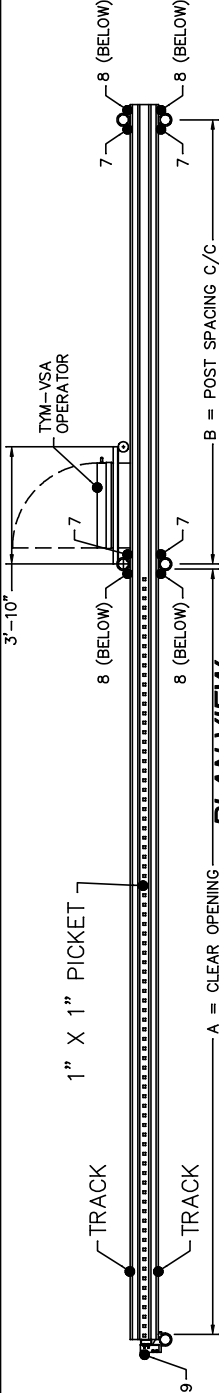
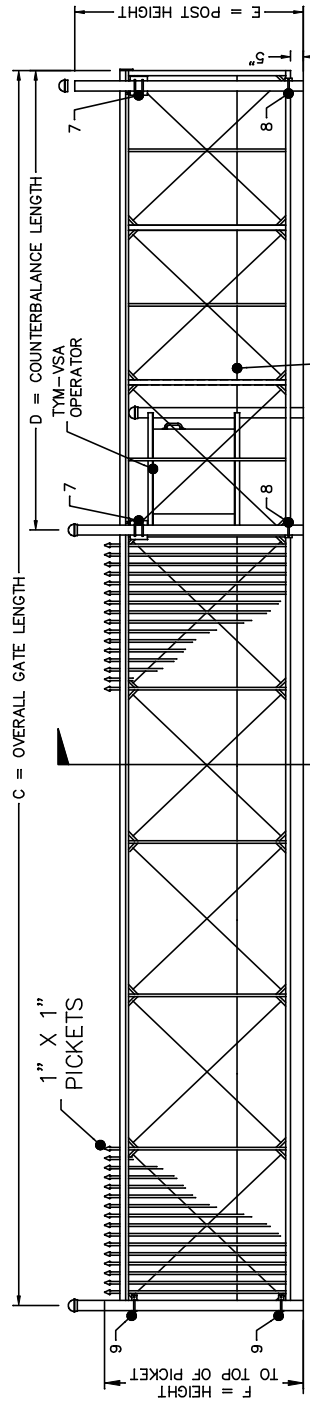


CRITICAL DIMENSION CHART

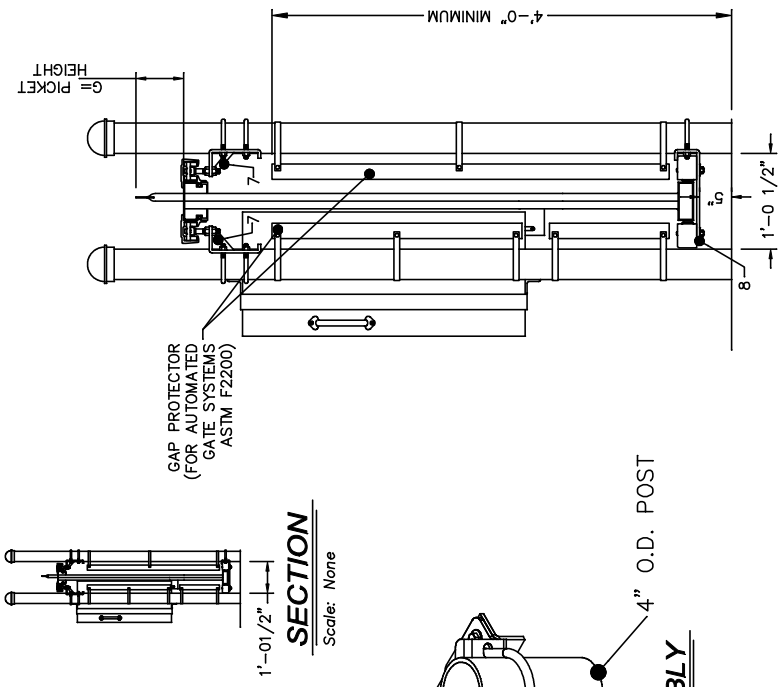
MARK	DESCRIPTION	FORMULA	DIM.
A	CLEAR OPENING	A	-
B	COUNTERBALANCE POST SPACING C/C	(A/2)-11"	-
C	OVERALL GATE LENGTH	A x 1.5	-
D	COUNTERBALANCE LENGTH	A x 0.5	-
E	POST HEIGHT	E = F	-
F	HEIGHT TO TOP OF PICKET	F	-
G	PICKET HEIGHT	G	-



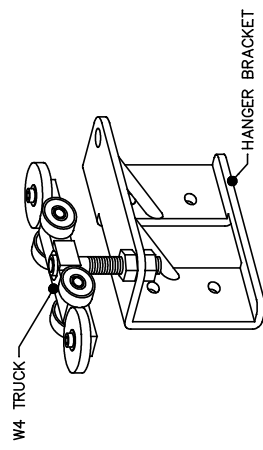
PLAN VIEW
Scale: None



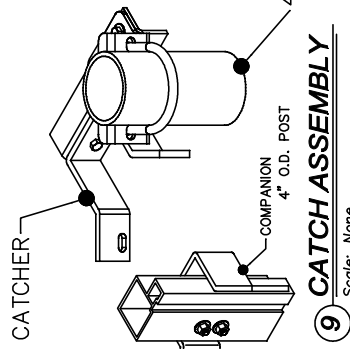
ELEVATION
Scale: None



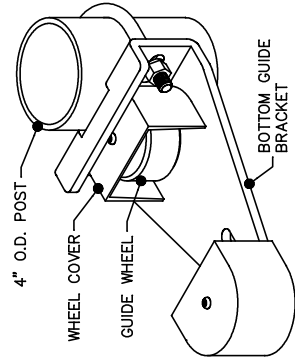
ENLARGED SECTION
Scale: None



7 GATE HANGER ASSEMBLY
Scale: None



9 CATCH ASSEMBLY
Scale: None



8 BOTTOM GUIDE
Scale: None

NOTES:
 1. FOR COMPLETE INFORMATION ON THE TYM-VSA OPERATORS VISIT THE "GATE OPERATORS" SECTION OF THE WEB SITE.
 2. ALL FITTINGS STANDARDLY PROVIDED FOR 4" O.D. POSTS. OTHER SIZES AVAILABLE UPON REQUEST.
 3. BARB ARMS (FOR BARBED WIRE) OPTIONAL.

REV. 1 - 2/16/24

678 WILBUR AVENUE
 GREENWICH, N.Y. 12834
 PH: (800) 328-4283 - (518) 692-9930
 www.tymetal.com

TYM-VSA-1S STRUCTURAL GATE SYSTEM
 (WITH ORNAMENTAL STRUCTURAL GATE)