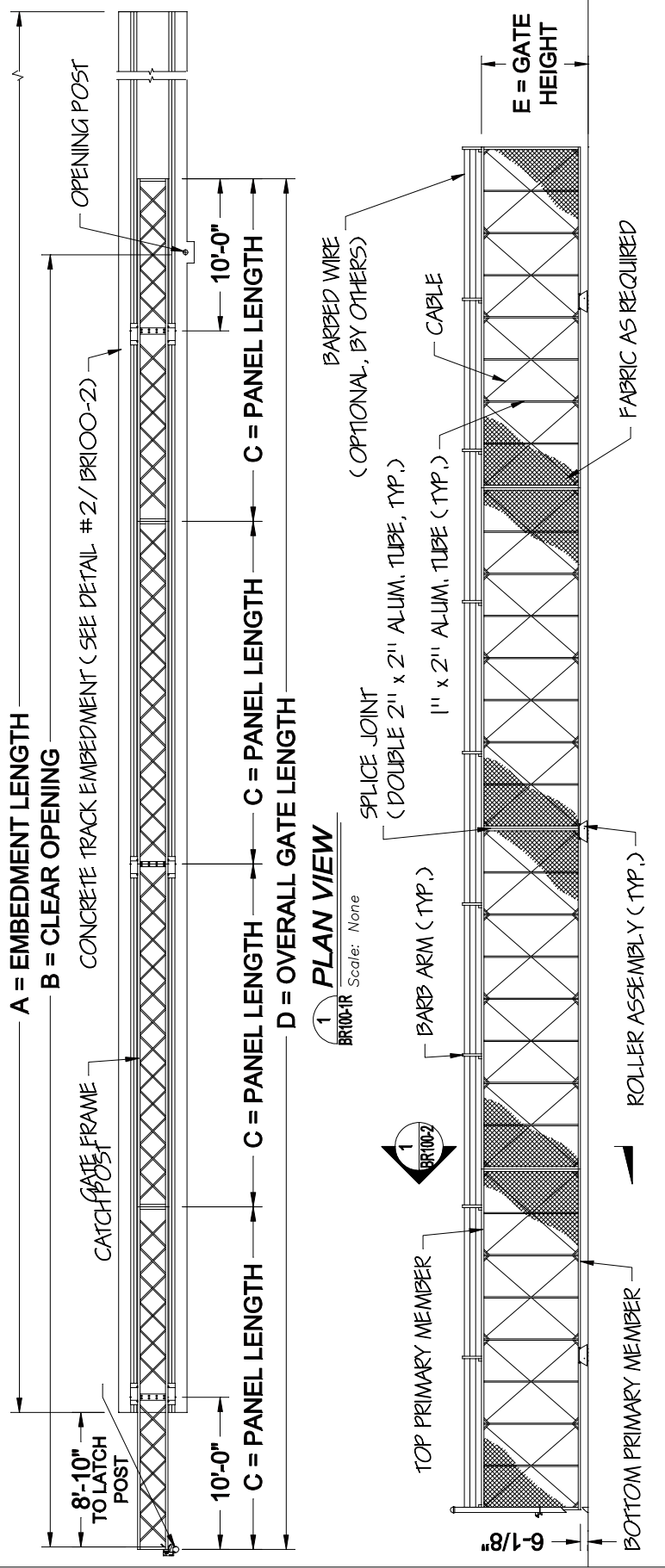


NOTES:

- EMBEDDED W4 x 13 I-BEAM TRACK SYSTEM PROVIDED BY TYMETAL AND SHIPPED IN 10' TO 20' LENGTHS.
- THE TOTAL NUMBER OF PANELS REQUIRED WILL VARY DEPENDING ON THE OVERALL GATE LENGTH AND WILL BE DETERMINED AS FOLLOWS: DIVIDE THE OVERALL GATE LENGTH BY 48 AND ROUND UP TO THE NEAREST WHOLE NUMBER.
- CONCRETE FOOTING SHALL BE SIZED AS REQUIRED BY A LOCAL ENGINEER IN ACCORDANCE WITH ALL JOB SPECIFICATIONS.
- BARB ARMS ARE OPTIONAL.
- HEAT CABLE SUGGESTED FOR INSTALLATIONS IN AREAS WHERE ICING MAY OCCUR. (SUPPLIED BY OTHERS)

NOMINAL GATE SIZE	
A x H	

CRITICAL DIMENSION CHART	
A	EMBEDMENT LENGTH [2 x A] - 13'
B	CLEAR OPENING A
C	PANEL LENGTH See Note 2
D	OVERALL GATE LENGTH A + 5'
E	GATE HEIGHT H



2 ELEVATION

BR100-1R Scale: None

NOTES:

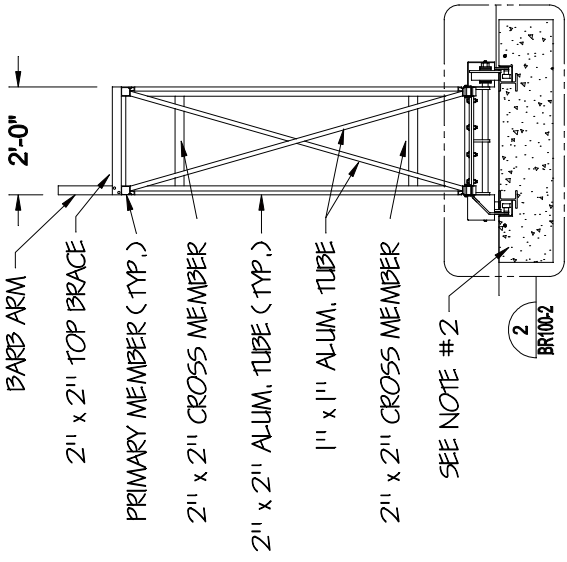
- EMBEDDED W4 x 13 I-BEAM TRACK SYSTEM PROVIDED BY TYMETAL AND SHIPPED IN 10' TO 20' LENGTHS.
- THE TOTAL NUMBER OF PANELS REQUIRED WILL VARY DEPENDING ON THE OVERALL GATE LENGTH AND WILL BE DETERMINED AS FOLLOWS: DIVIDE THE OVERALL GATE LENGTH BY 48 AND ROUND UP TO THE NEAREST WHOLE NUMBER.
- CONCRETE FOOTING SHALL BE SIZED AS REQUIRED BY A LOCAL ENGINEER IN ACCORDANCE WITH ALL JOB SPECIFICATIONS.
- BARB ARMS ARE OPTIONAL.
- HEAT CABLE SUGGESTED FOR INSTALLATIONS IN AREAS WHERE ICING MAY OCCUR. (SUPPLIED BY OTHERS)

NOMINAL GATE SIZE	
A x H	

CRITICAL DIMENSION CHART

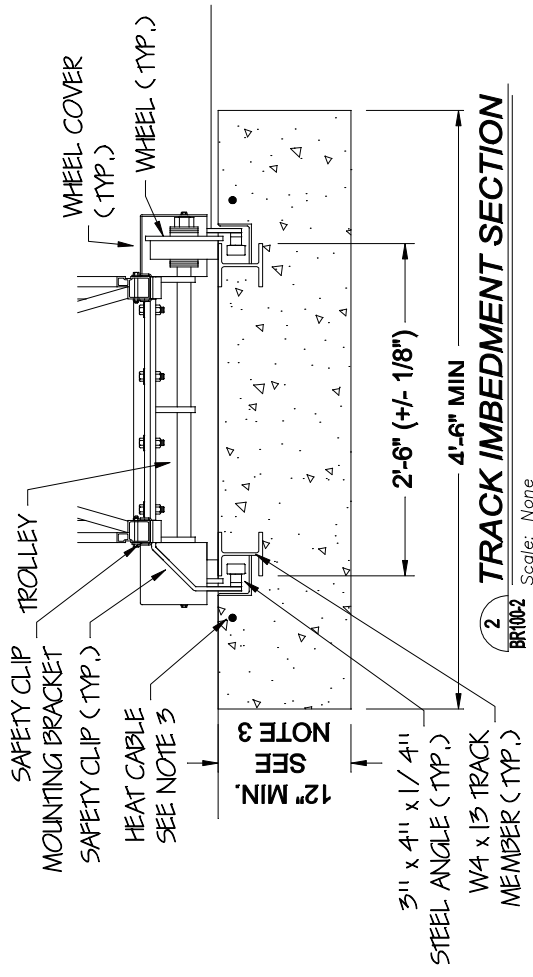
A	EMBEDMENT LENGTH	[2 x A] - 13'
B	CLEAR OPENING	A
C	PANEL LENGTH	See Note 2
D	OVERALL GATE LENGTH	A + 5'
E	GATE HEIGHT	H

<p>PROJECT: Boxframe Roller BR100 R19</p> <p>DIRECTORY\CAD FILE: BR100-1R</p>	<p>DATE: 2/9/23</p> <p>CHECKED BY: BGG</p> <p>SCALE: As Noted</p> <p>REVISION LEVEL: R19</p>	<p>DATE: 2/9/23</p> <p>SUBJECT: Box Frame Roller Gate</p> <p>CONTRACTOR: ARCHITECT/ENGINEER:</p>	<p>DATE: 2/9/23</p> <p>SHEET NUMBER: 1 of 2</p> <p>DRAWING NUMBER: BR100-1R</p>	<p>TYMETAL SECURITY GATES & PERIMETER SOLUTIONS 678 WILBUR AVENUE GREENWICH, N.Y. 12834 PH: (800) 328-4283 - FX: (518) 692-9404</p> <p>PROPRIETARY & CONFIDENTIAL</p> <p>The information contained in this drawing is the sole property of TYMETAL. Any reproduction in part or as a whole without the written permission of TYMETAL is prohibited.</p>
-------------------------------------------------------------------------------	----------------------------------------------------------------------------------------------	--------------------------------------------------------------------------------------------------	---------------------------------------------------------------------------------	--------------------------------------------------------------------------------------------------------------------------------------------------------------------------------------------------------------------------------------------------------------------------------------------------------------------------------------------------------------------------------



1 ASSEMBLY SECTION

BR100-2 Scale: None



2 TRACK IMBEDMENT SECTION

BR100-2 Scale: None

- NOTES:**
- EMBEDDED W4 x 13 I-BEAM TRACK SYSTEM PROVIDED BY TYMETAL AND SHIPPED IN 10' TO 20' LENGTHS..
 - CONCRETE FOOTING SHALL BE SIZED AS REQUIRED BY A LOCAL ENGINEER IN ACCORDANCE WITH ALL JOB SPECIFICATIONS.
 - HEAT CABLE SUGGESTED FOR INSTALLATIONS IN AREAS WHERE ICING MAY OCCUR. (SUPPLIED BY OTHERS)

PROJECT: BoxFrame Roller BR100 R19 DIRECTOR\CAD FILE:		DRAWN BY: MAM DATE: 2/9/23 CHECKED BY: BGG SCALE: As Noted REVISION LEVEL: R19
SUBJECT: Box Frame Roller Gate Details CONTRACTOR:		DATE: 2/9/23
ARCHITECT/ENGINEER:		THE INFORMATION CONTAINED IN THIS DRAWING IS THE SOLE PROPERTY OF TYMETAL. ANY REPRODUCTION IN PART OR AS A WHOLE WITHOUT THE WRITTEN PERMISSION OF TYMETAL IS PROHIBITED.
DRAWING NUMBER: BR100-2 SHEET NUMBER: 2 of 2		TYMETAL SECURITY GATES & PERIMETER SOLUTIONS 678 WILBUR AVENUE GREENWICH, N.Y. 12834 PH: (800) 328-4283 - FX: (518) 692-9404