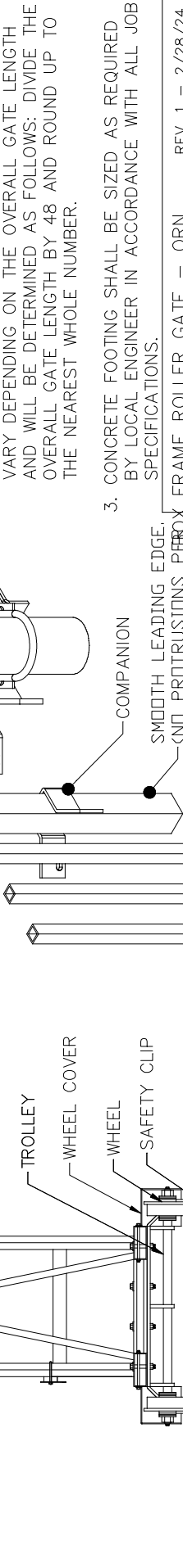
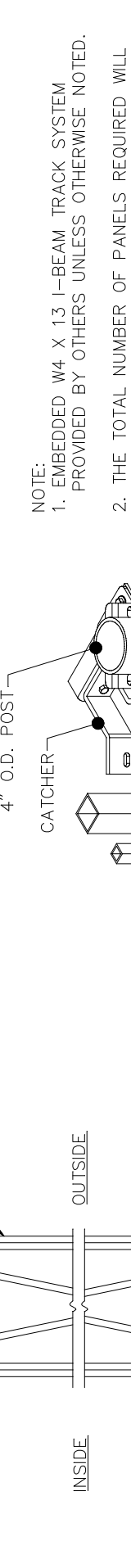
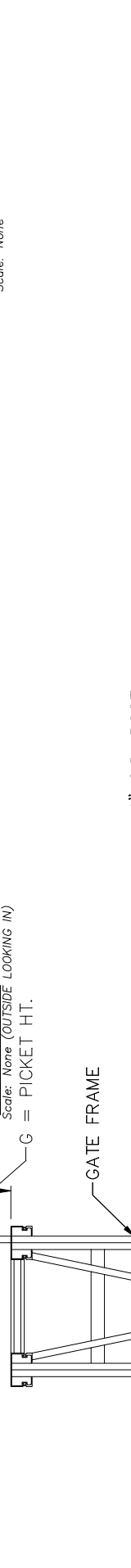
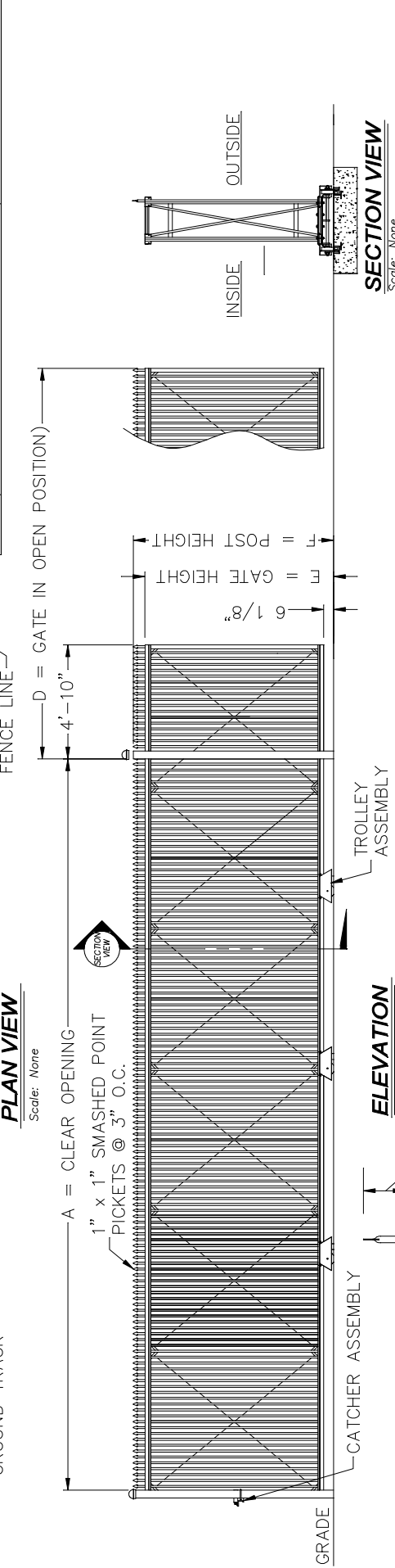
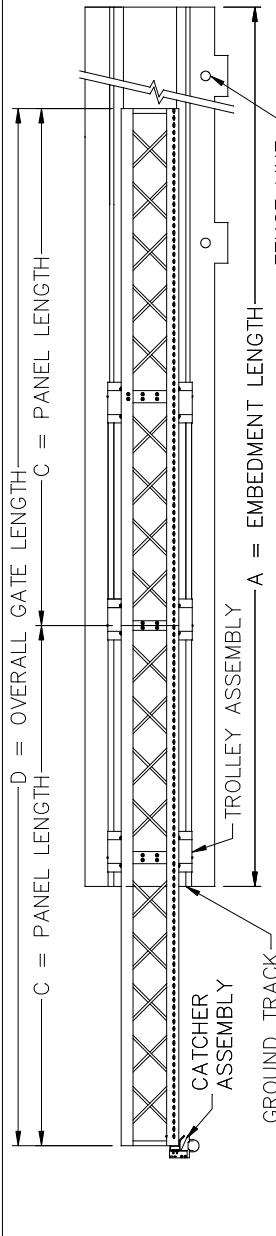


CRITICAL DIMENSION CHART		
A	CLEAR OPENING	A
B	EMBEDMENT LENGTH	(2 x A) - 13'-0"
C	PANEL LENGTH	VARIABLE - SEE NOTE #2
D	OVERALL GATE LENGTH	A + 5'-0"
E	GATE HEIGHT	E
F	POST HEIGHT	E + G
G	PICKET HEIGHT	G



- NOTE:
- EMBEDDED W4 X 13 I-BEAM TRACK SYSTEM PROVIDED BY OTHERS UNLESS OTHERWISE NOTED.
  - THE TOTAL NUMBER OF PANELS REQUIRED WILL VARY DEPENDING ON THE OVERALL GATE LENGTH AND WILL BE DETERMINED AS FOLLOWS: DIVIDE THE OVERALL GATE LENGTH BY 48 AND ROUND UP TO THE NEAREST WHOLE NUMBER.
  - CONCRETE FOOTING SHALL BE SIZED AS REQUIRED BY LOCAL ENGINEER IN ACCORDANCE WITH ALL JOB SPECIFICATIONS.

FRAME ROLLER GATE - ORN. REV. 1 - 2/28/24

TYMETAL CORP.  
www.tymetal.com

678 WILBUR AVENUE  
GREENWICH, N.Y. 12834  
PH: (800) 328-4283 - (518) 692-9930

CATCHER ASSEMBLY  
Scale: None

ENLARGED SECTION  
Scale: None