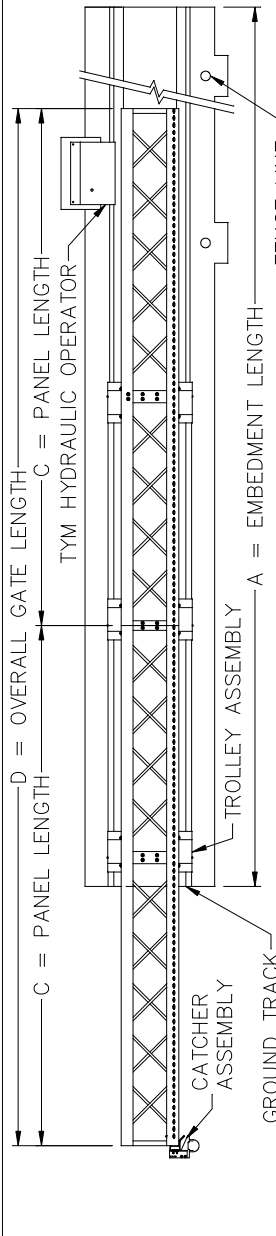


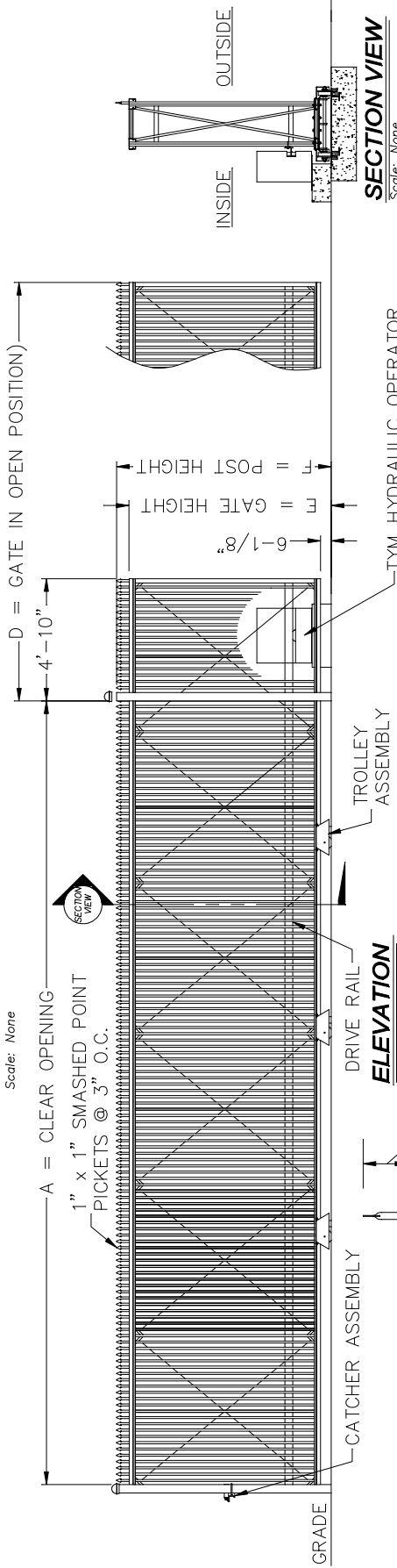
CRITICAL DIMENSION CHART		
A	CLEAR OPENING	A
B	EMBEDMENT LENGTH	(2 x A) - 13'-0"
C	PANEL LENGTH	VARIABLE - SEE NOTE #2
D	OVERALL GATE LENGTH	A + 5'-0"
E	GATE HEIGHT	E
F	POST HEIGHT	E + G
G	PICKET HEIGHT	G



PLAN VIEW

Scale: None

A = CLEAR OPENING
 1" x 1" SMASHED POINT PICKETS @ 3" O.C.



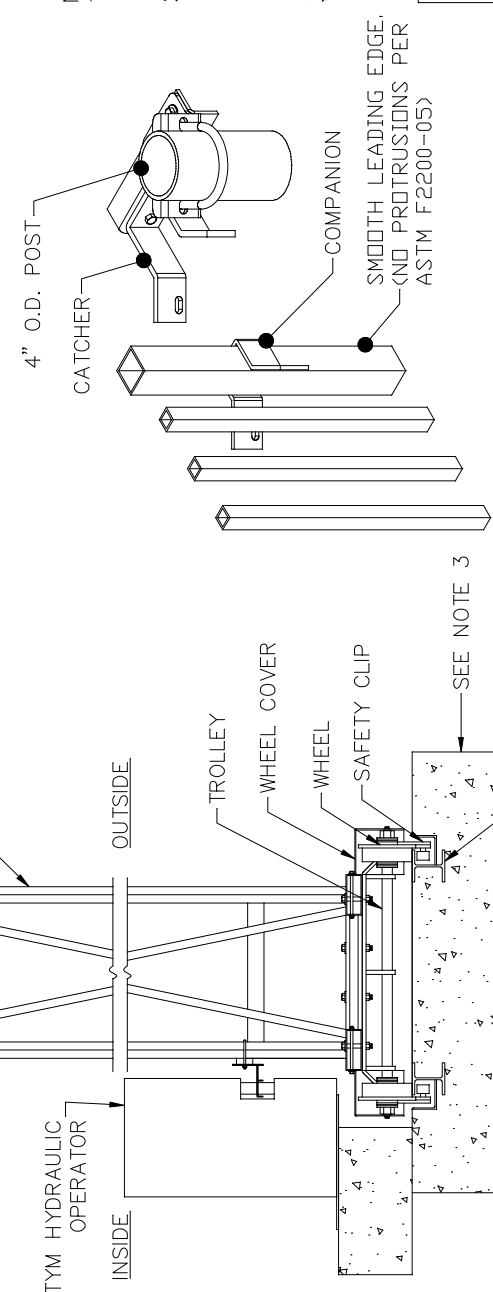
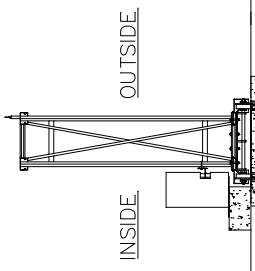
ELEVATION

Scale: None (OUTSIDE LOOKING IN)

G = PICKET HT.

SECTION VIEW

Scale: None



ENLARGED SECTION

Scale: None

CATCHER ASSEMBLY

Scale: None

- NOTE:
1. EMBEDDED W4 X 13 I-BEAM TRACK SYSTEM PROVIDED BY OTHERS UNLESS OTHERWISE NOTED.
 2. THE TOTAL NUMBER OF PANELS REQUIRED WILL VARY DEPENDING ON THE OVERALL GATE LENGTH AND WILL BE DETERMINED AS FOLLOWS: DIVIDE THE OVERALL GATE LENGTH BY 48 AND ROUND UP TO THE NEAREST WHOLE NUMBER.
 3. CONCRETE FOOTING SHALL BE SIZED AS REQUIRED BY LOCAL ENGINEER IN ACCORDANCE WITH ALL JOB SPECIFICATIONS.

TYMETAL CORP.
 www.tymetal.com

678 Wilbur Avenue
 GREENWICH, N.Y. 12834
 PH: (800) 328-4283 - (518) 692-9930

TYM-HPO-BRF - BOX FRAME ROLLER GATE - ORNAMENTAL