

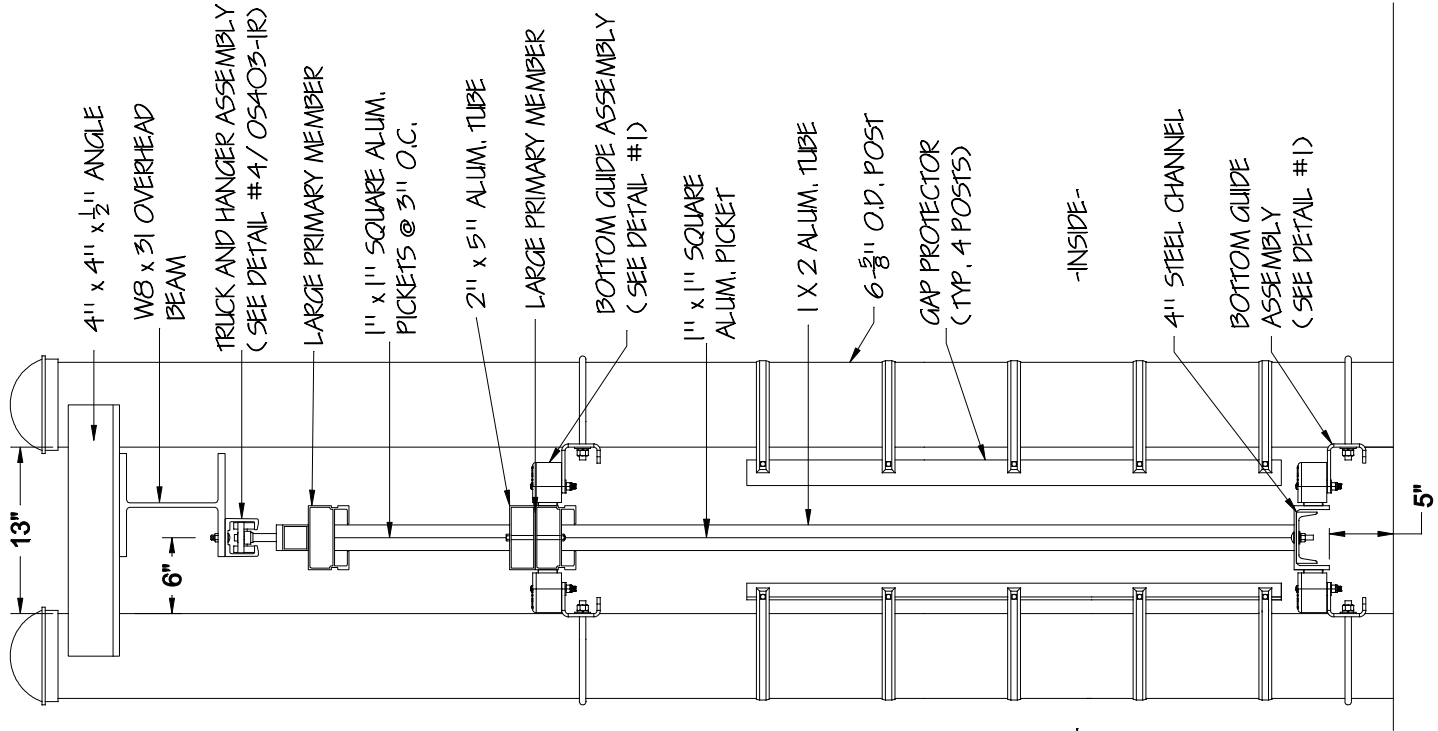


OS403-2R  
DRAWING NUMBER:  
2 of 2  
SHEET NUMBER:  
PROJECT: Overhead Slide Gate Details

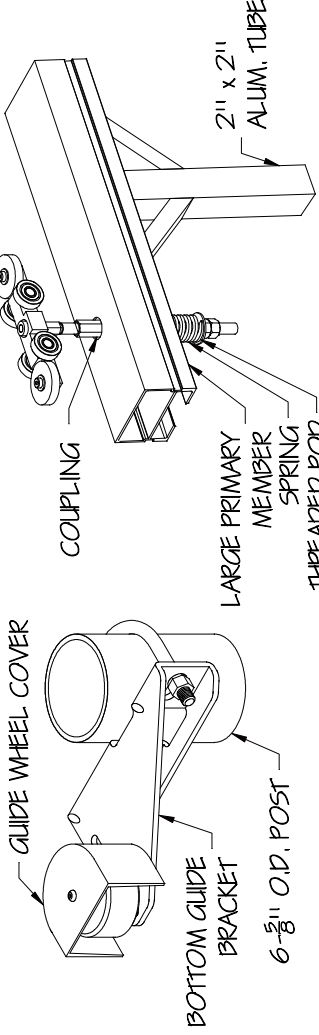
CONTRACTOR:  
ARCHITECT/ENGINEER:  
PROJECT:

DRAWN BY: NJD  
DATE: 6/21/17  
CHECKED BY: BGG  
DATE: 6/21/17  
SCALE: As Noted  
REVISION LEVEL: R0

TYMETAL CORP.  
www.tymetal.com  
678 WILBUR AVENUE  
GREENWICH, N.Y. 12834  
PH: (800) 328-4283 - FX: (518) 692-9404

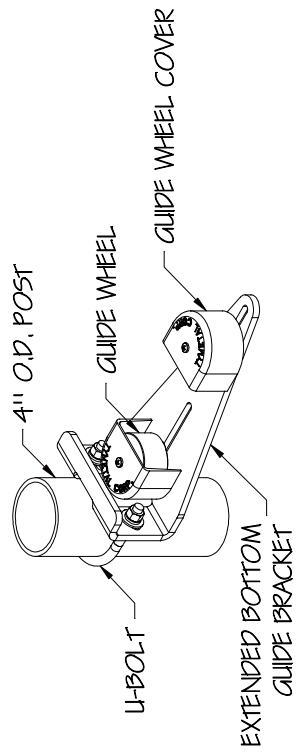


**4 GATE ASSEMBLY SECTION**  
Scale: None

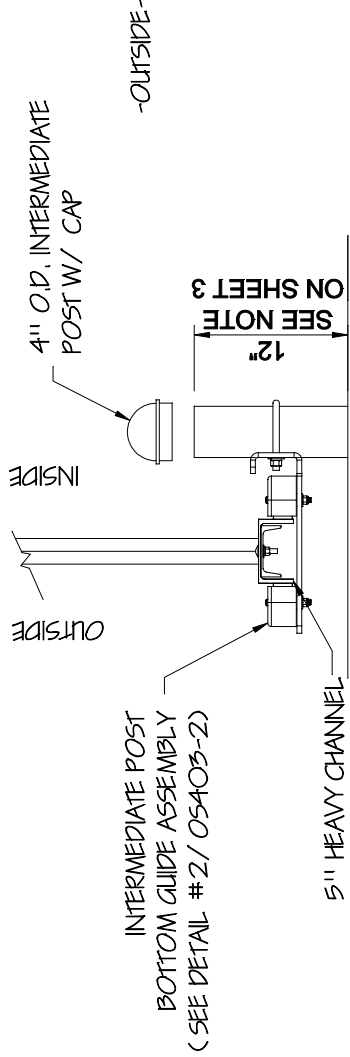


**1 BOTTOM GUIDE ASSEMBLY**  
Scale: None

**5 SPRING LOADED TRUCK**  
Scale: None



**2 INTERMEDIATE POST BOTTOM GUIDE ASSEMBLY**  
Scale: None



**3 INTERMEDIATE POST BOTTOM GUIDE**  
Scale: None

**NOTES:**  
1. ALL HARDWARE IS PROVIDED FOR 6 5/8" SUPPORT POSTS & 4" O.D. INTERMEDIATE POSTS. OTHER SIZES ARE AVAILABLE UPON REQUEST.