

RIGHT to Open

CRITICAL DIMENSION CHART

A	CLEAR OPENING	*
B	GATE HEIGHT	**
C	POST HEIGHT	B+6"

NOTES:

1. THE VERTICAL PIVOT GATE IS A COUNTERBALANCED SYSTEM. MAXIMUM CLEAR OPENING WIDTH INCREASES AS HEIGHT DECREASES.

* CLEAR OPENING WIDTHS UP TO 19'. CONTACT MANUFACTURER FOR LARGER OPENING WIDTHS. SEE NOTE 1.

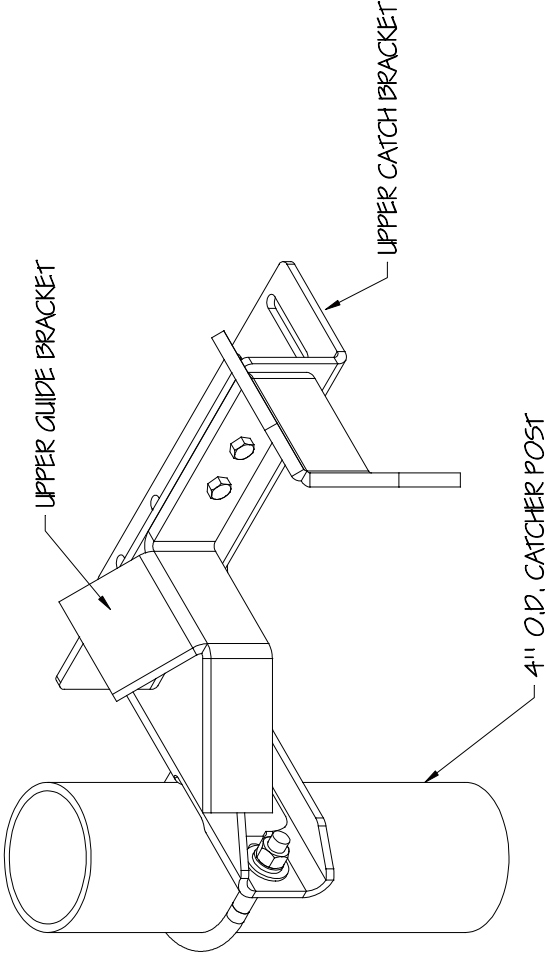
** NOMINAL HEIGHTS UP TO 8'. CONTACT MANUFACTURER FOR HEIGHTS GREATER THAN 8'. BARB ARMS ARE OPTIONAL.

VP002-2
DRAWING NUMBER:
2 of 3
SHEET NUMBER:
Chain Link Vertical Pivot Gate
SUBJECT:
CONTRACTOR:
ARCHITECT/ENGINEER:

PROJECT:
DIRECTOR\CAD FILE:
Game Chain Link VP002 R2

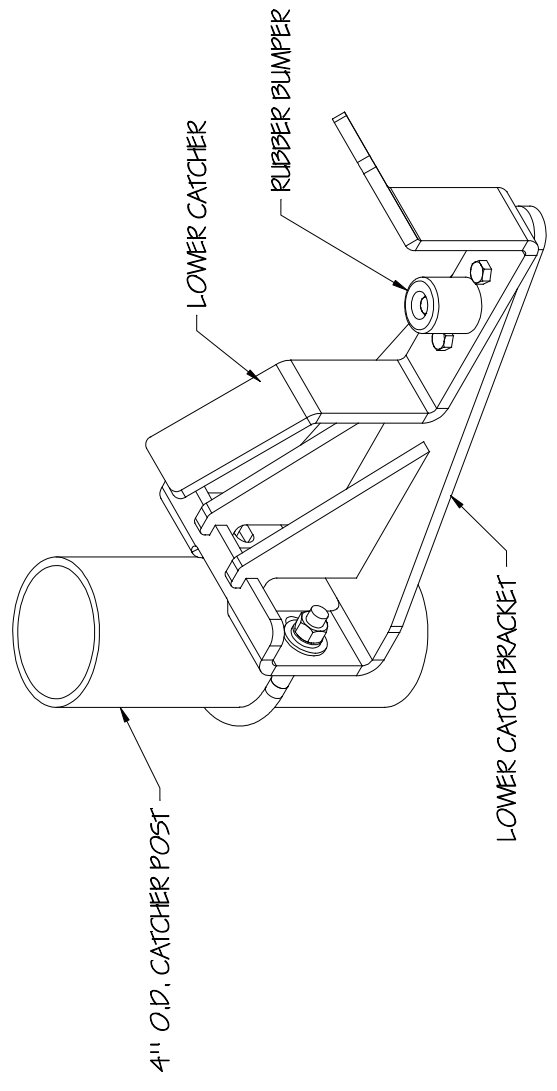
DRAWN BY: MAM
DATE: 7/5/23
CHECKED BY: BGG
SCALE: As Noted
REVISION LEVEL: R2

TYMETAL
SECURITY GATES & PERIMETER SOLUTIONS
678 WILBUR AVENUE GREENWICH, N.Y. 12834
PH: (800) 328-4283 - FX: (518) 692-9404



1 UPPER CATCH ASSEMBLY

VP002-2 Scale: None



2 LOWER CATCH ASSEMBLY

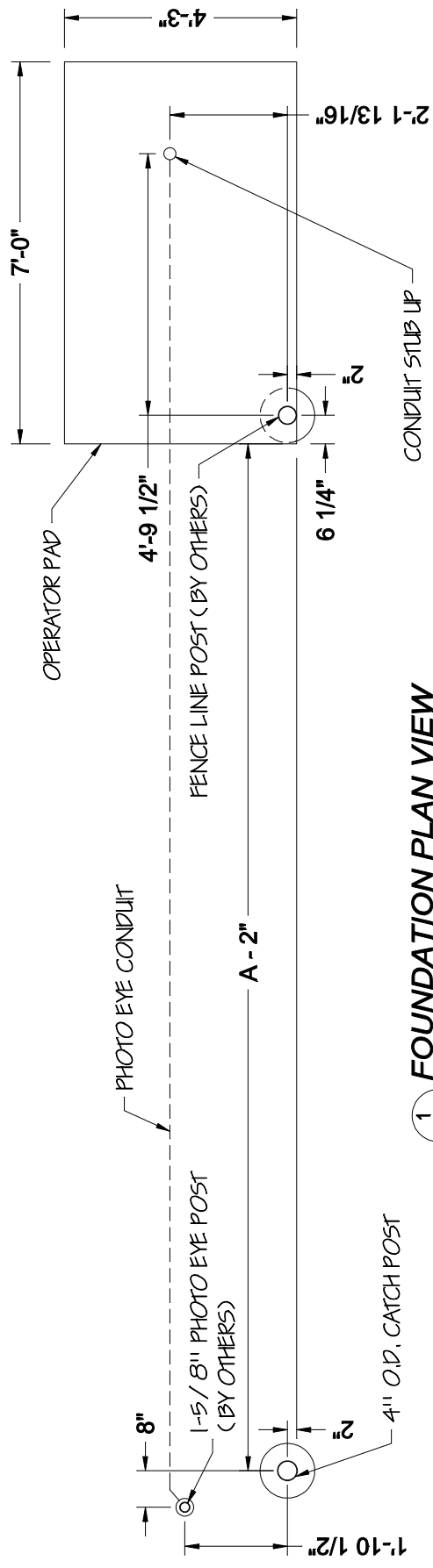
VP002-2 Scale: None

VP6002-3
DRAWING NUMBER:
3 of 3
SHEET NUMBER:
GameCharm Link VP6002 R2
DIRECTOR\CAD FILE:

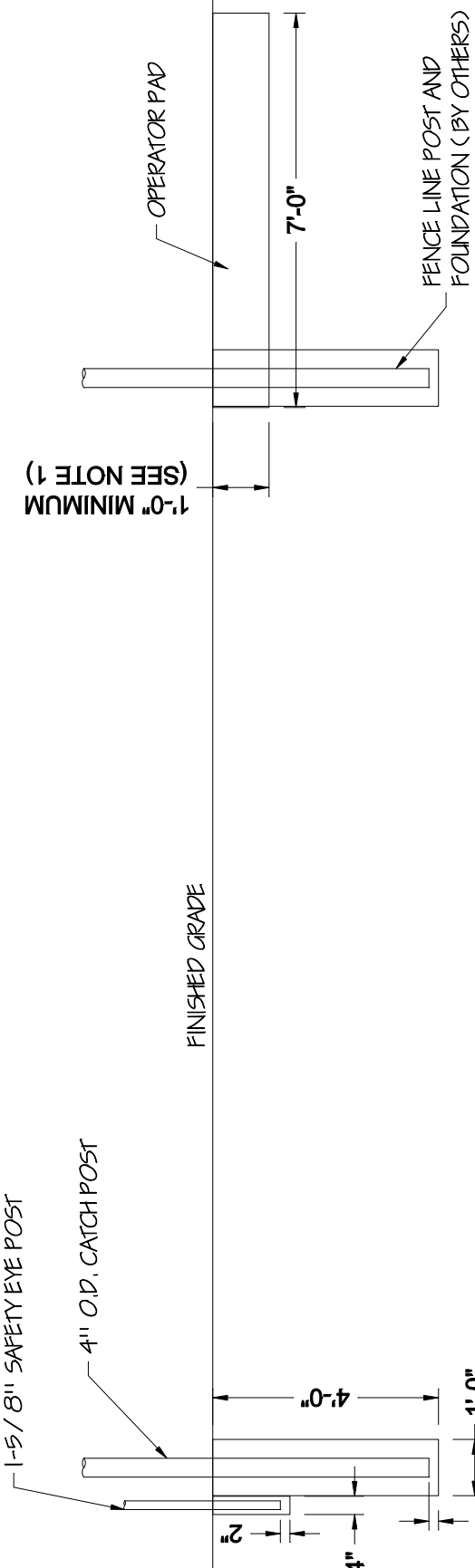
PROJECT:
SUBJECT: **Foundation Layout**
CONTRACTOR:
ARCHITECT/ENGINEER:

DRAWN BY: **MAM**
DATE: **7/5/23**
CHECKED BY: **BGG**
DATE: **7/5/23**
SCALE: **As Noted**
REVISION LEVEL: **R2**

TYMETAL
SECURITY GATES & PERIMETER SOLUTIONS
678 WILBUR AVENUE GREENWICH, N.Y. 12834
PH: (800) 328-4283 - FX: (518) 692-9404



1 FOUNDATION PLAN VIEW
VP6002-3 Scale: None



1 FOUNDATION ELEVATION VIEW
VP6002-3 Scale: None

- NOTES:
- FOUNDATIONS SHOWN ARE BASED ON AVERAGE SOIL AND SITE CONDITIONS. FOUNDATIONS MUST BE IN ACCORDANCE WITH ALL LOCAL CODES, AND SHOULD BE REVIEWED BY A LOCAL ENGINEER.
 - OPERATOR INPUT POWER CAN BE 115VAC 8AMP OR 230VAC 4.5AMP.