

LEFT to Open

CRITICAL DIMENSION CHART

A	CLEAR OPENING	*
B	GATE HEIGHT	**
C	POST HEIGHT	B+6"
D	PICKET SPACING	***
E	PICKET HEIGHT	6"

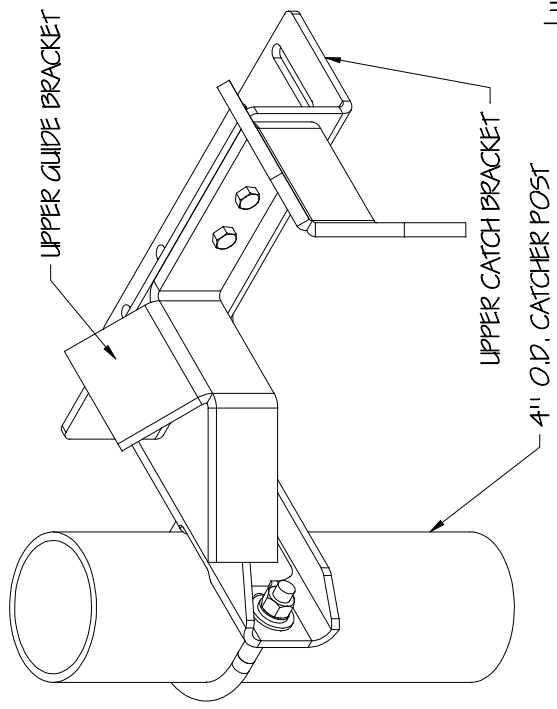
- NOTES:**
1. THE VERTICAL PIVOT GATE IS A COUNTERBALANCED SYSTEM. MAXIMUM CLEAR OPENING WIDTH INCREASES AS HEIGHT DECREASES.
 - * CLEAR OPENING WIDTHS UP TO 18'. CONTACT MANUFACTURER FOR LARGER OPENING WIDTHS. SEE NOTE 1.
 - ** NOMINAL HEIGHTS UP TO 8'. CONTACT MANUFACTURER FOR HEIGHTS GREATER THAN 8'. BARB ARMS ARE OPTIONAL.
 - *** PICKET SPACING 4", 5" or 6" O.C.

VP-G-003-2
DRAWING NUMBER:
2 of 4
SHEET NUMBER:
Tymetal Vertical Pivot Gate Details
DIRECTOR\CAD FILE:

PROJECT:
SUBJECT: Extended Picket Vertical Pivot Gate Details
CONTRACTOR:
ARCHITECT/ENGINEER:

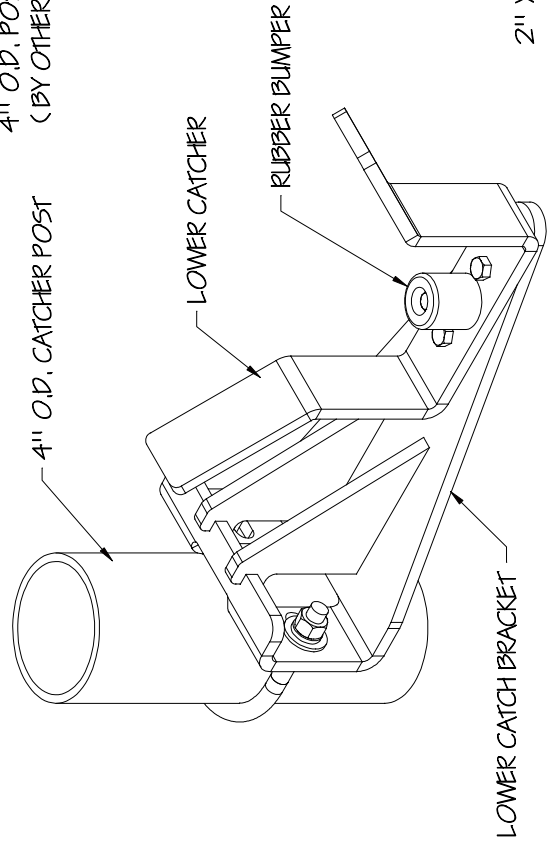
DRAWN BY: NDB
DATE: 10/18/23
CHECKED BY: BGG
SCALE: As Noted
REVISION LEVEL: R1

TYMETAL
SECURITY GATES & PERIMETER SOLUTIONS
678 WILBUR AVENUE GREENWICH, N.Y. 12834
PH: (800) 328-4283 - FX: (518) 692-9404



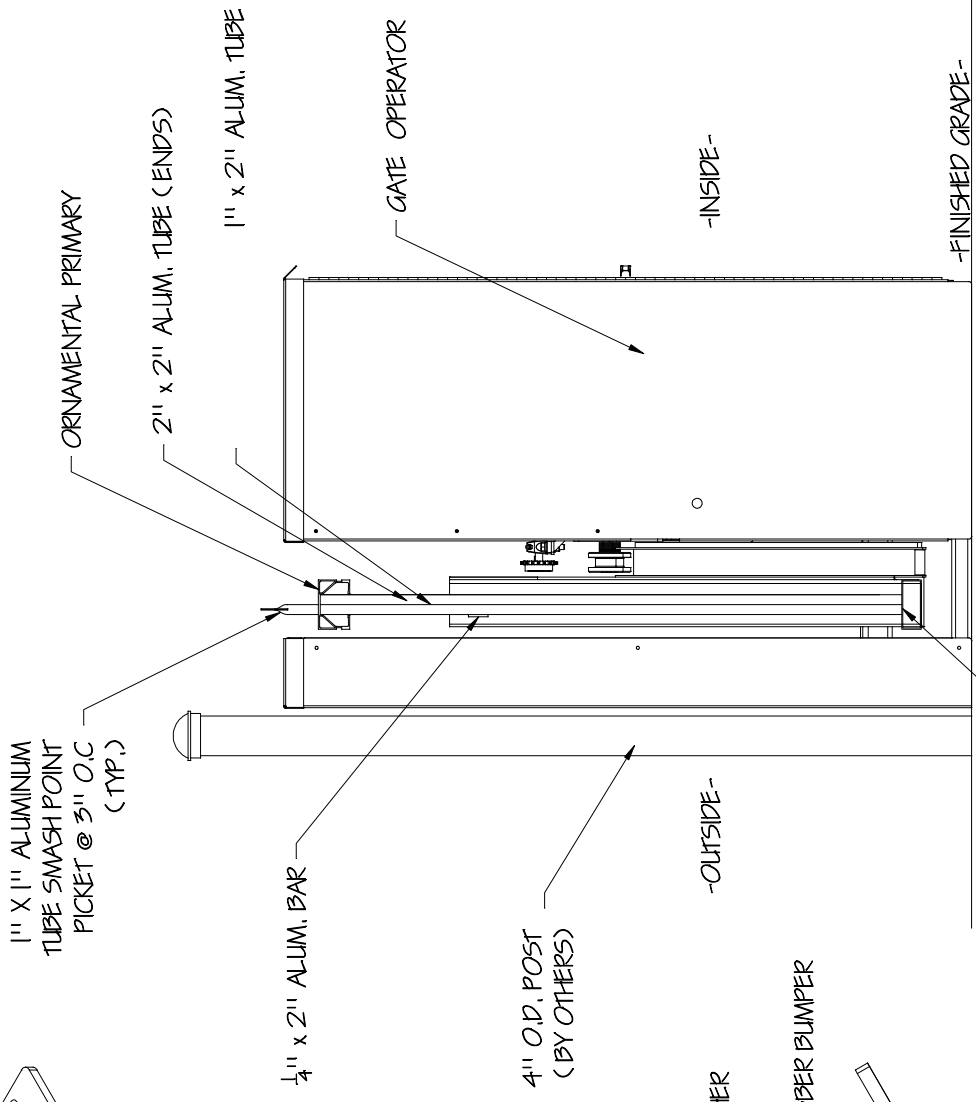
1 UPPER CATCH ASSEMBLY

VP-G-003-2 Scale: None



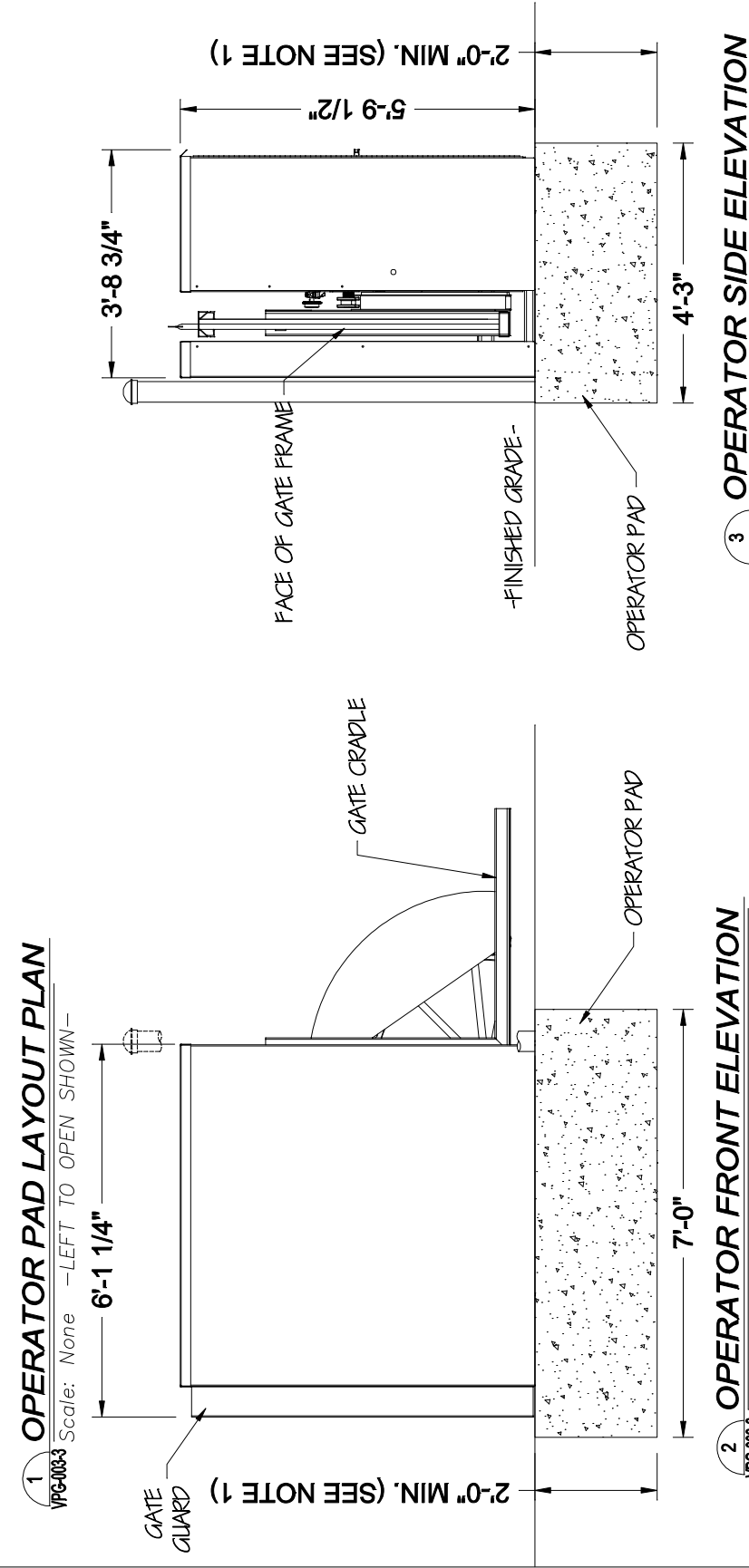
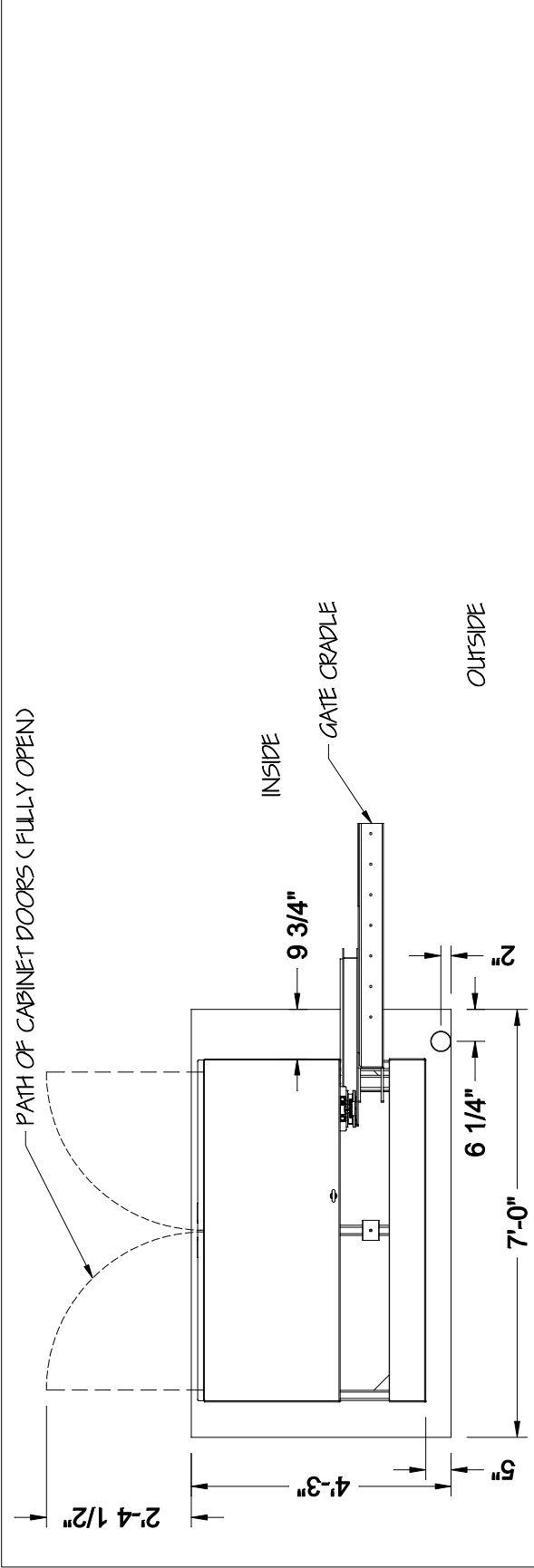
2 LOWER CATCH ASSEMBLY

VP-G-003-2 Scale: None

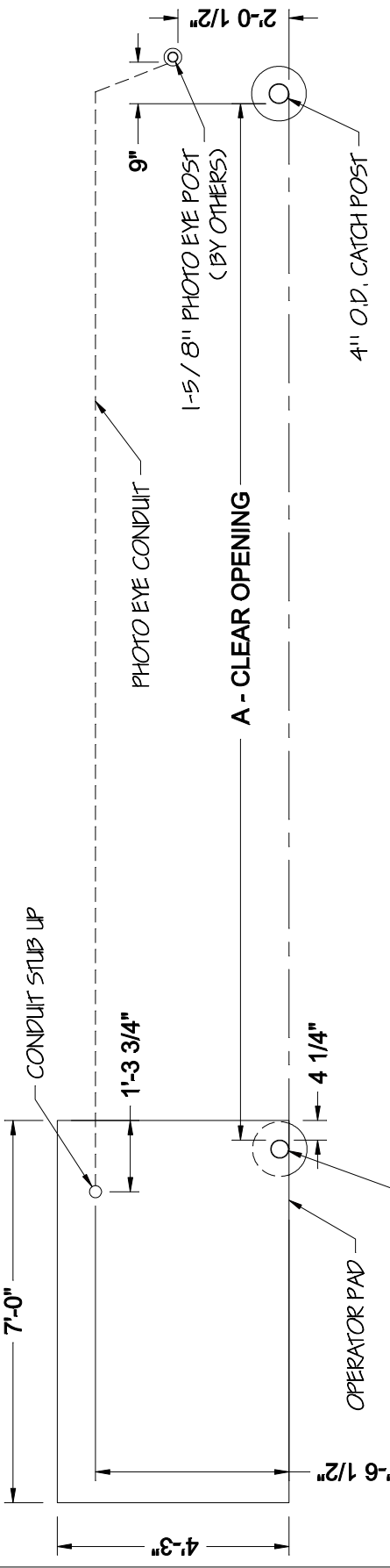


3 SECTION VIEW

VP-G-003-2 Scale: None

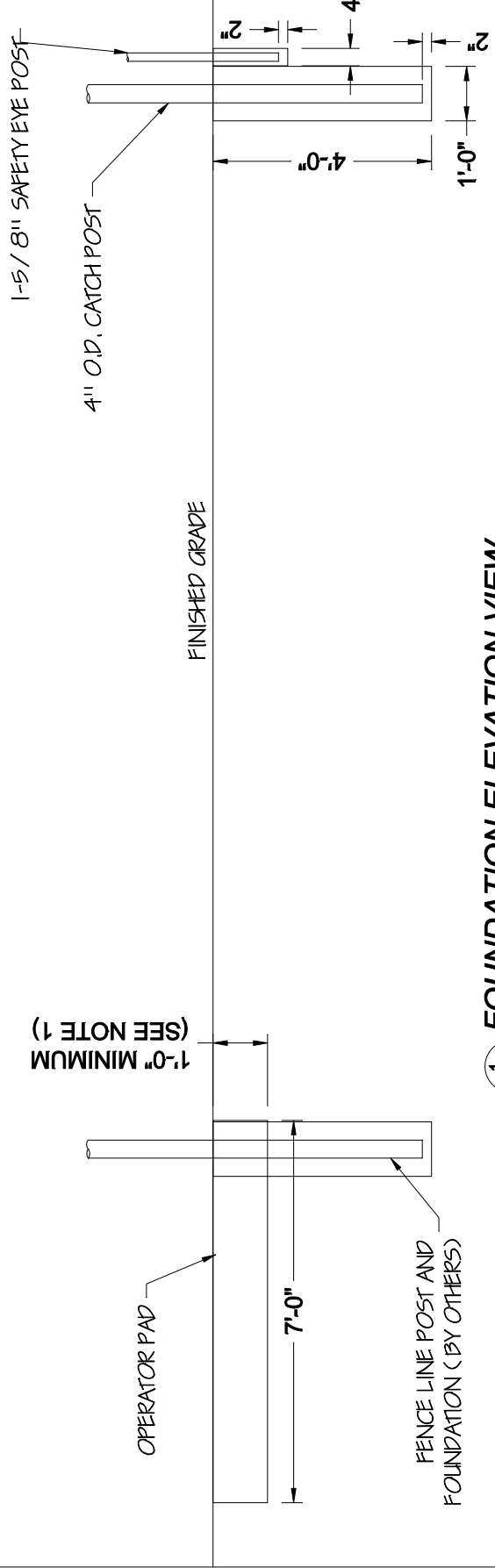


NOTES:
1. OPERATOR PAD DEPTH TO BE IN ACCORDANCE WITH ALL LOCAL CODES AND SOIL CONDITIONS.



1 FOUNDATION PLAN VIEW
VP-G-003-4L Scale: None

LEFT to Open



1 FOUNDATION ELEVATION VIEW
VP-G-003-4L Scale: None

- NOTES:**
- FOUNDATIONS SHOWN ARE BASED ON AVERAGE SOIL AND SITE CONDITIONS. FOUNDATIONS MUST BE IN ACCORDANCE WITH ALL LOCAL CODES, AND SHOULD BE REVIEWED BY A LOCAL ENGINEER.
 - OPERATOR INPUT POWER CAN BE 115VAC 8AMP OR 230VAC 4.5AMP.