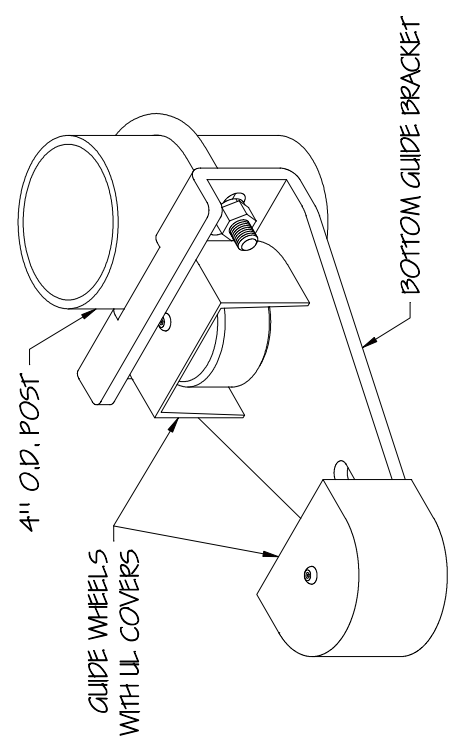
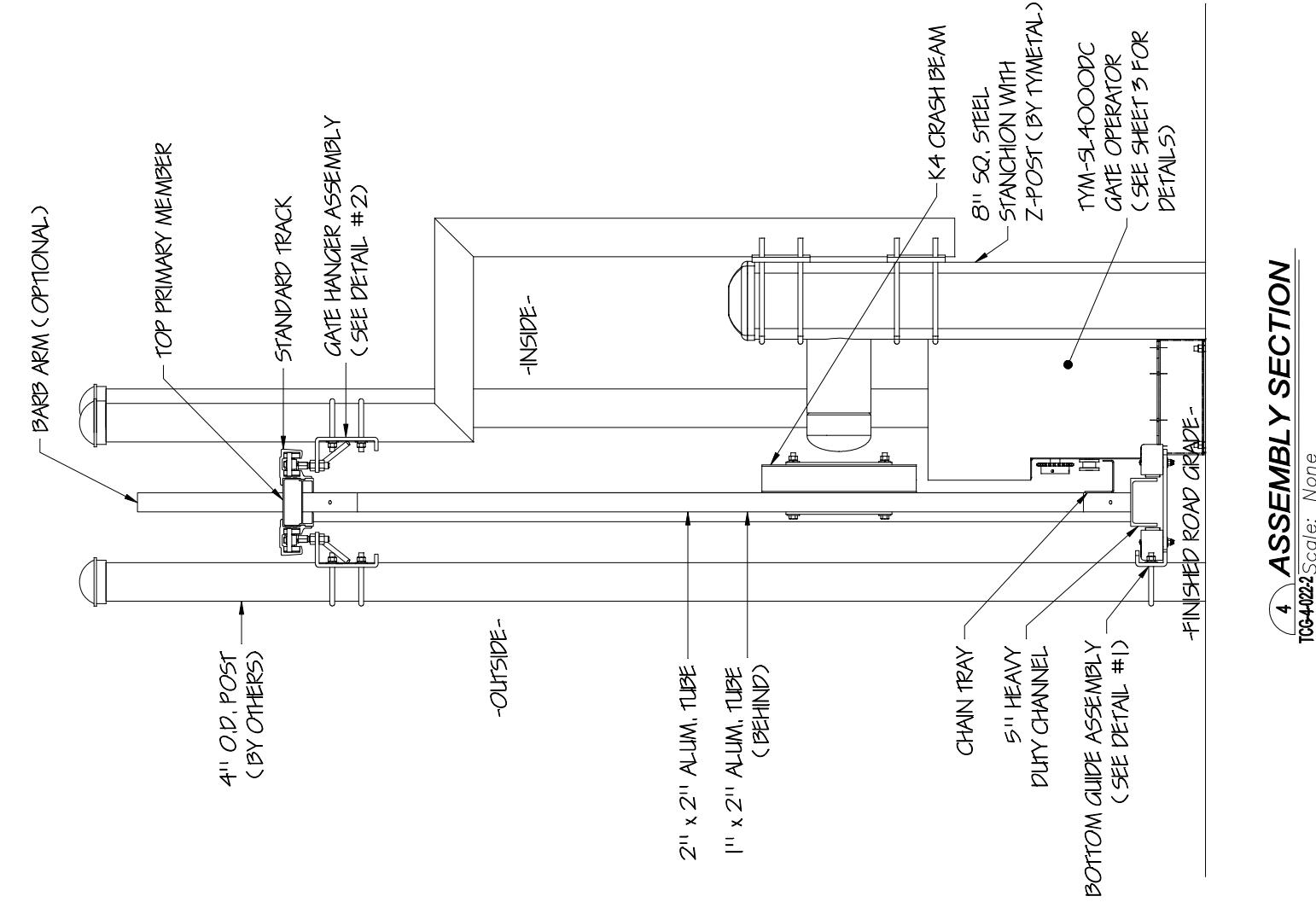


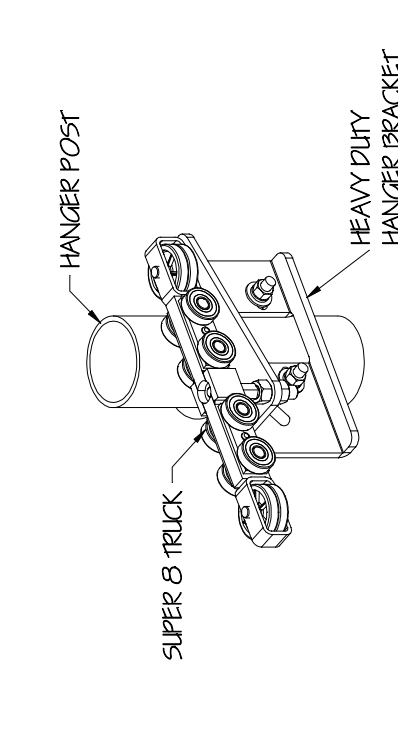
NOTES:
1. ALL FITTINGS PROVIDED FOR 4" O.D. POSTS. OTHER SIZES ARE AVAILABLE UPON REQUEST.
2. STANCHIONS HAVE GALVANIZED FINISH.

CRITICAL DIMENSION CHART

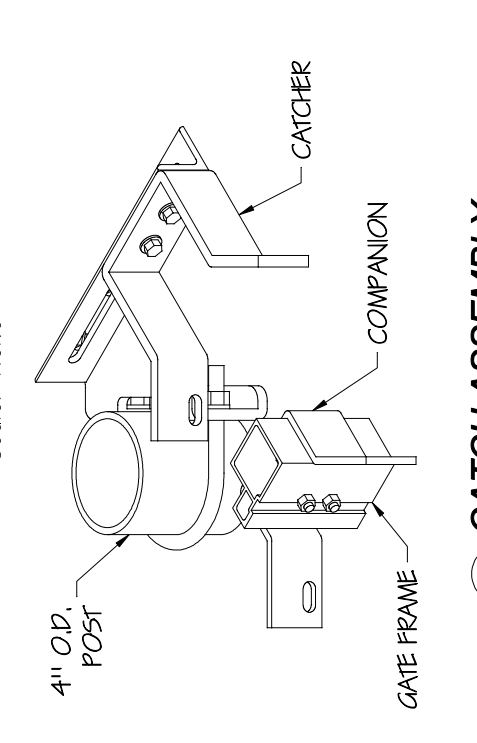
NOMINAL GATE SIZE	A	CLEAR OPENING	A	D	NOMINAL GATE HEIGHT	D
	B	POST SPACING C/C	(A/2) - 0'-5"	E	POST HEIGHT	D + 1'-6"
	C	OVERALL GATE LENGTH	(A x 1.5) + 1'-6"	F	FABRIC HEIGHT	D - 1'-0"



1 BOTTOM GUIDE
 TCG-4-022-2 Scale: None



2 GATE HANGER
 TCG-4-022-2 Scale: None



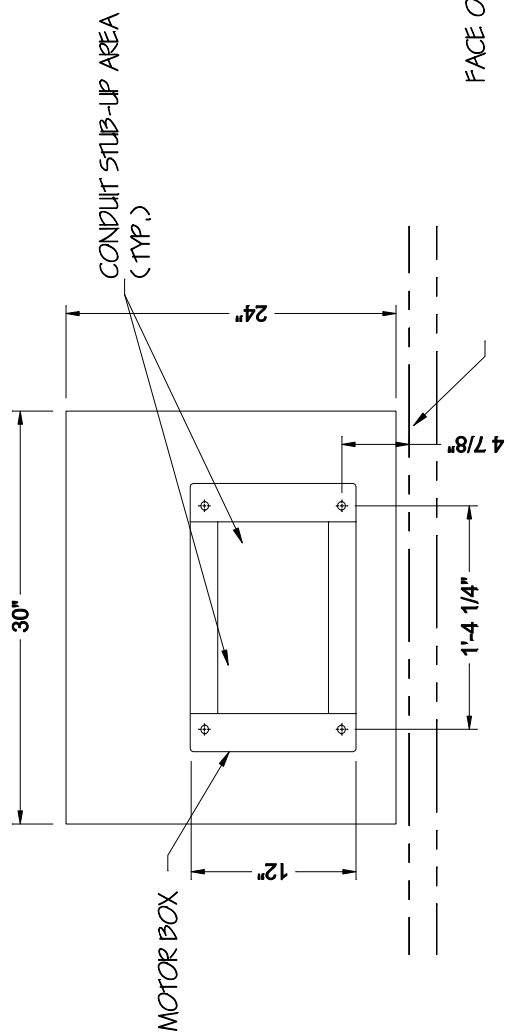
3 CATCH ASSEMBLY
 TCG-4-022-2 Scale: None

TCG-4-022-3
 DRAWING NUMBER:
 3 of 5
 SHEET NUMBER:
 TCG-4-022 Standard Gate SL400DC R2
 DIRECTOR\CAD FILE:

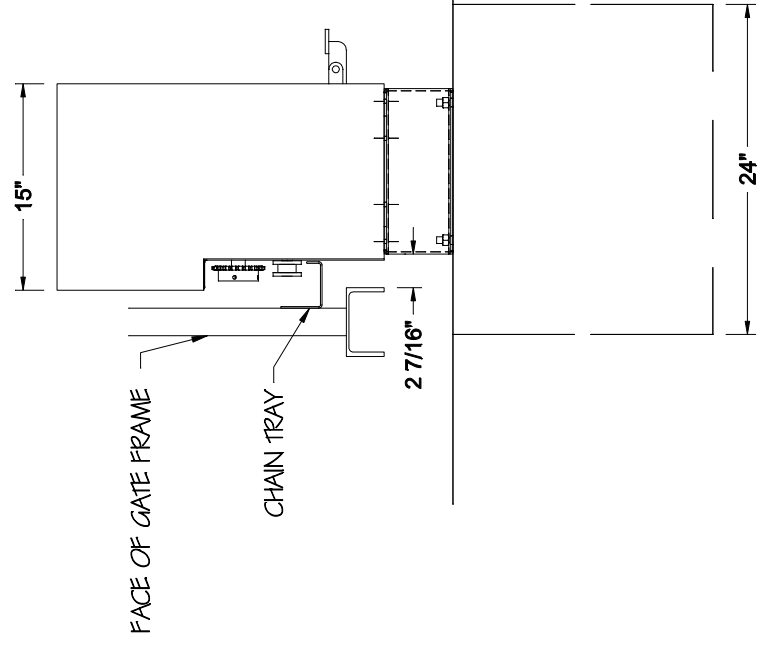
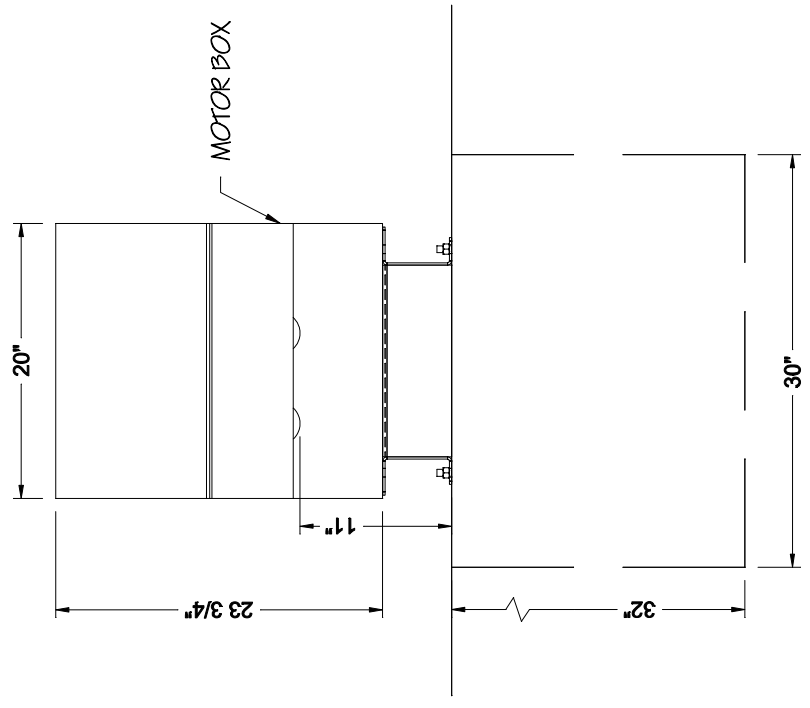
PROJECT:
 SUBJECT: TYM-SL400DC Gate Operator Details
 CONTRACTOR:
 ARCHITECT/ENGINEER:

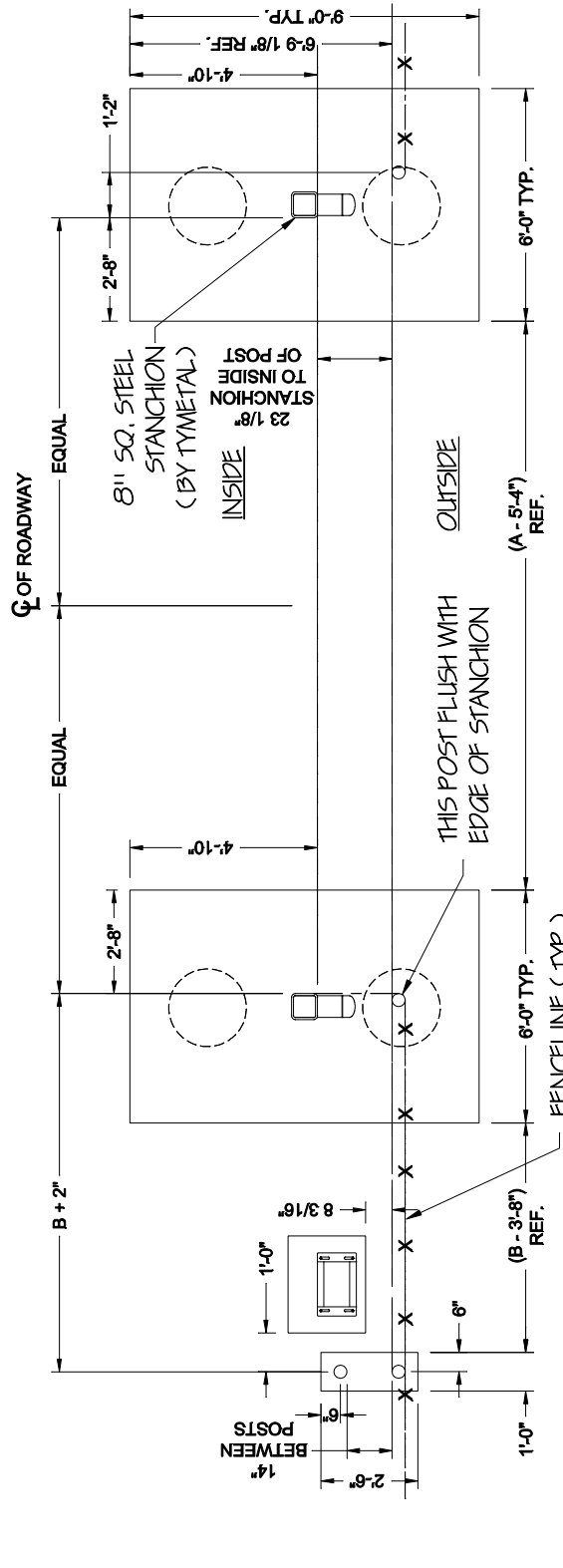
DRAWN BY: NJD
 DATE: 10/20/17
 CHECKED BY: BGG
 DATE: 10/20/17
 SCALE:
 As Noted
 REVISION LEVEL:
 R2

TYMETAL
 SECURITY GATES & PERIMETER SOLUTIONS
 678 WILBUR AVENUE GREENWICH, N.Y. 12834
 PH: (800) 328-4283 - FX: (518) 692-9404

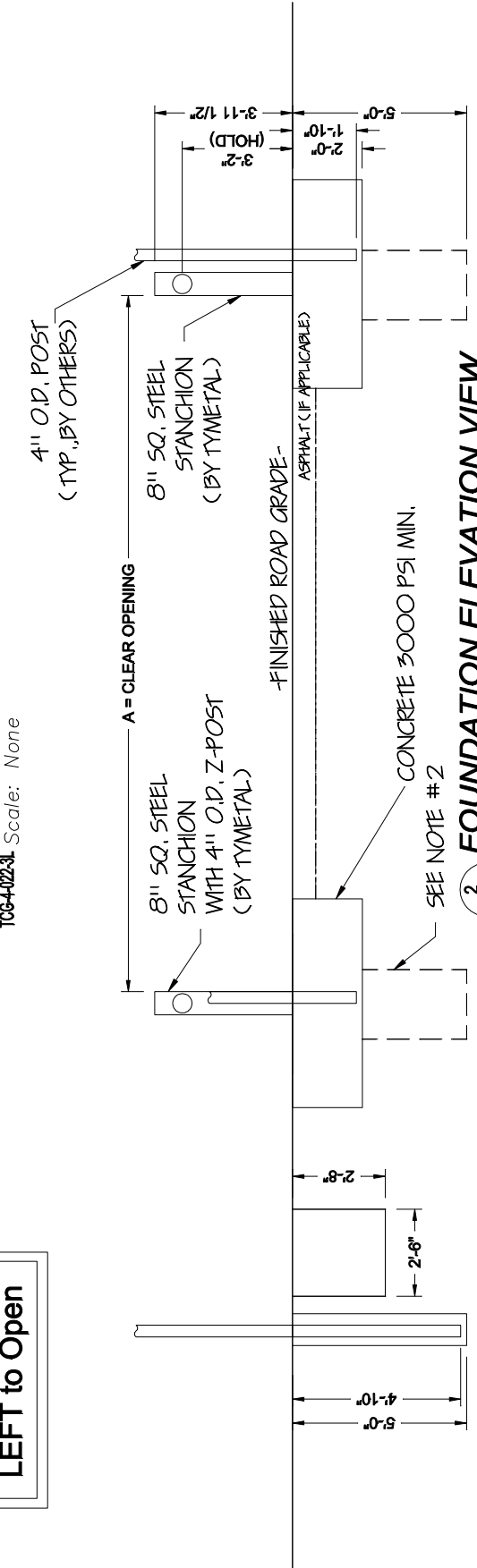


FACE OF GATE FRAME

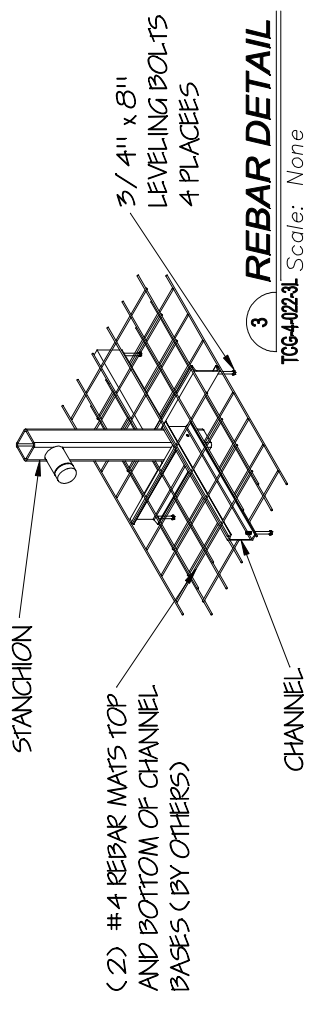




2 FOUNDATION ELEVATION VIEW



3 REBAR DETAIL



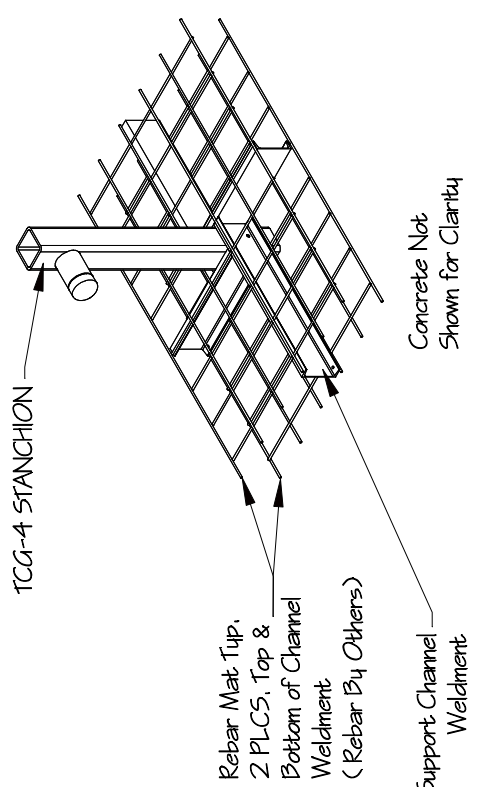
- NOTES:**
- FOUNDATIONS SHOWN ARE BASED ON AVERAGE SOIL AND SITE CONDITIONS. FOUNDATIONS MUST BE IN ACCORDANCE WITH ALL LOCAL CODES, AND SHOULD BE REVIEWED BY A LOCAL ENGINEER.
 - PIERS REQUIRED IN AREAS WHERE FROST LINE IS BELOW FOUNDATIONS.
 - TYMETAL RECOMMENDS ALL SITE CONDITIONS AND IN SITU SOILS BE REVIEWED BY A QUALIFIED ENGINEER. MINIMUM SOIL BEARING CAPACITY OF 940 PSF AND BACKFILL COMPACTED TO A DENSITY OF NOT LESS THAN 90% MAXIMUM DRY DENSITY ARE REQUIRED BY TYMETAL. TYMETAL WILL NOT BE RESPONSIBLE FOR FAILED GATE OPERATIONS CAUSED BY UNSTABLE SOIL CONDITIONS. PROJECT SPECIFIC SOIL CAPACITY AND COMPACTION REQUIREMENTS WHEN GREATER THAN SPECIFIED BY TYMETAL SUPERSEDE TYMETAL REQUIREMENTS. PLEASE CONSULT WITH YOUR PROJECT CIVIL ENGINEER FOR GUIDANCE.
 - CRASH SYSTEM TESTED AND PASSED ASTM F2866-07 ACHIEVING M30/P1 RATING FOR A 14' CLEAR OPENING (15,000# AT 30 MPH WITH < 3 FT. PENETRATION). THE UNIT QUOTED MAY BE OF A DIFFERENT CLEAR OPENING AND FOUNDATION DIMENSIONS THAN THE TESTED MODEL, BUT IT CAN BE EXPECTED TO PERFORM IN A SIMILAR MANNER UNDER SIMILAR CONDITIONS.

TCG-4-022-5
DRAWING NUMBER:
5 of 5
SHEET NUMBER:
TGS-402 Stanchion Details
DIRECTOR\CAD FILE:

PROJECT:
SUBJECT: Stanchion Detail
CONTRACTOR:
ARCHITECT/ENGINEER:

DATE: 10/20/17
DATE: 10/20/17
DATE: 10/20/17
SCALE: As Noted
REVISION LEVEL: R2

Tymetal
SECURITY GATES & PERIMETER SOLUTIONS
678 WILBUR AVENUE GREENWICH, N.Y. 12834
PH: (800) 328-4283 - FX: (518) 692-9404



STANCHION REBAR DETAILS

