

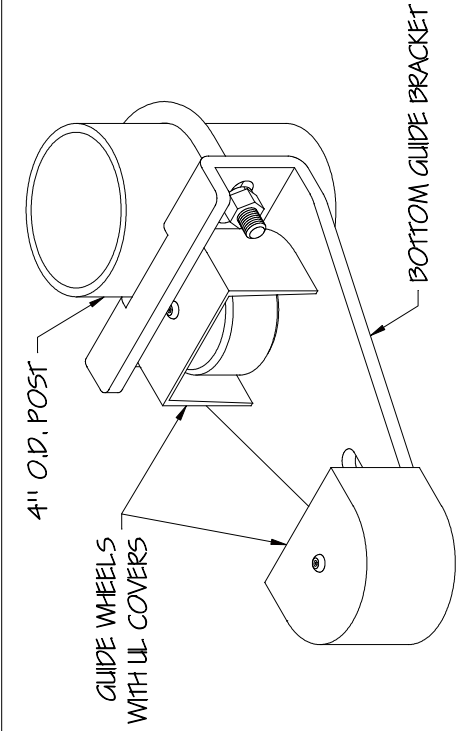
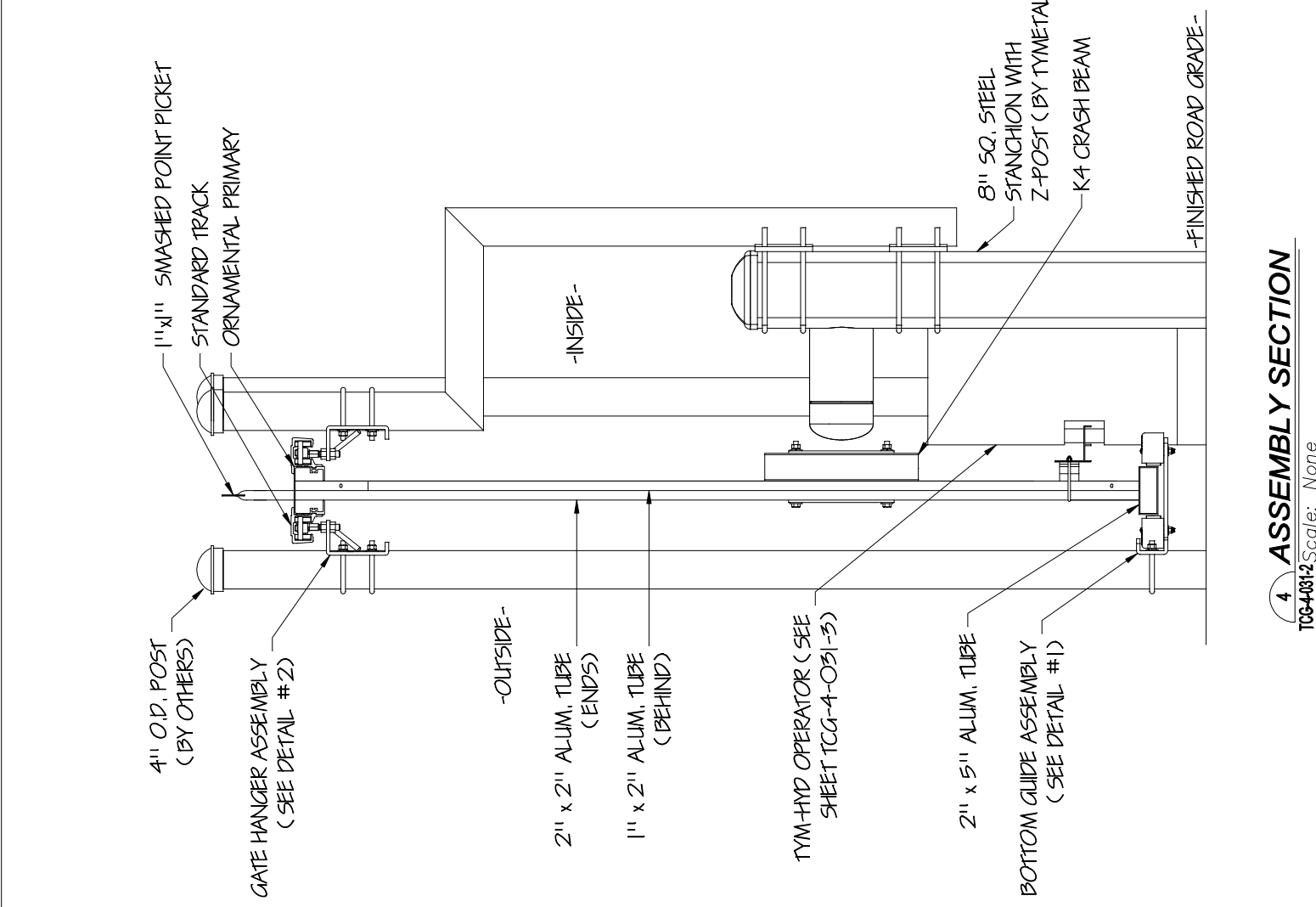
1 PLAN VIEW
TCG-4-031-1L Scale: None

2 ELEVATION
TCG-4-031-1L OUTSIDE LOOKING IN

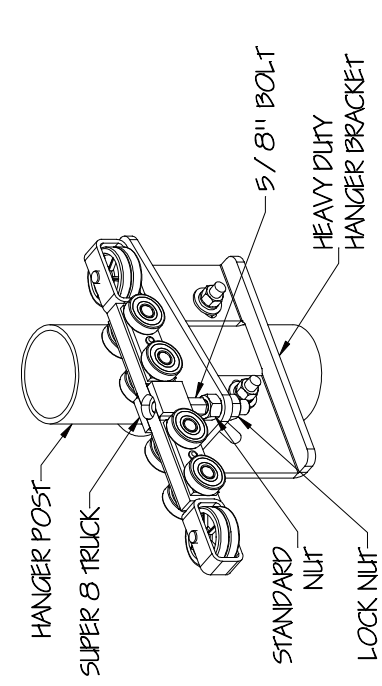
NOTES:
1. ALL FITTINGS PROVIDED FOR 4" O.D. POSTS. OTHER SIZES ARE AVAILABLE UPON REQUEST.
2. STANCHIONS HAVE GALVANIZED FINISH.
3. FOR GATES THAT REQUIRE TWO PIECE FABRICATION, A 5" ALUMINUM CHANNEL WILL BE SUBSTITUTED FOR THE 2" x 5" ALUM. TUBE.

CRITICAL DIMENSION CHART

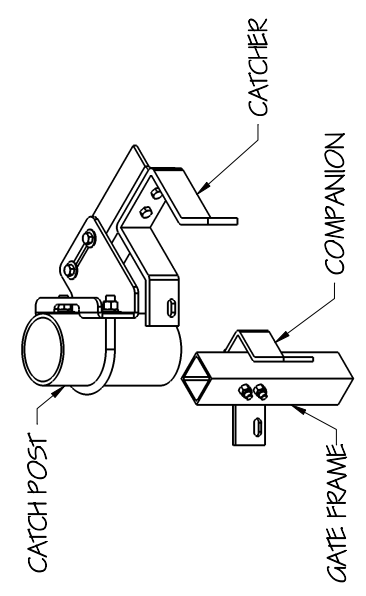
NOMINAL GATE SIZE	A	CLEAR OPENING	A	D	NOMINAL GATE HEIGHT	D
	B	POST SPACING C/C	(A/2) - 0'-5"	E	POST HEIGHT	= A
	C	OVERALL GATE LENGTH	(A x 1.5) + 1'-6"	F	PICKET HEIGHT	6" or as spec'd



1 BOTTOM GUIDE
TCG-4-031-2 Scale: None



2 GATE HANGER
TCG-4-031-2 Scale: None



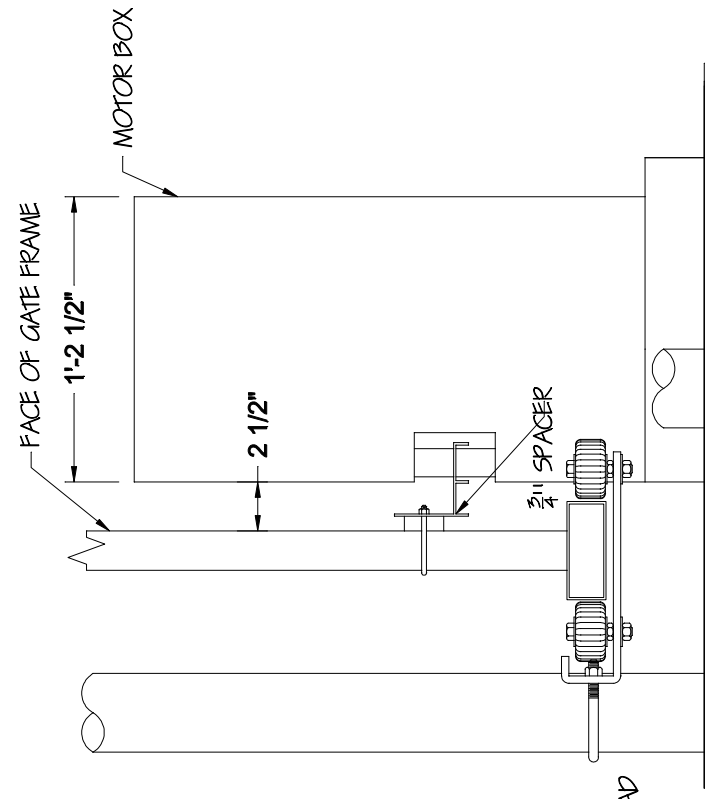
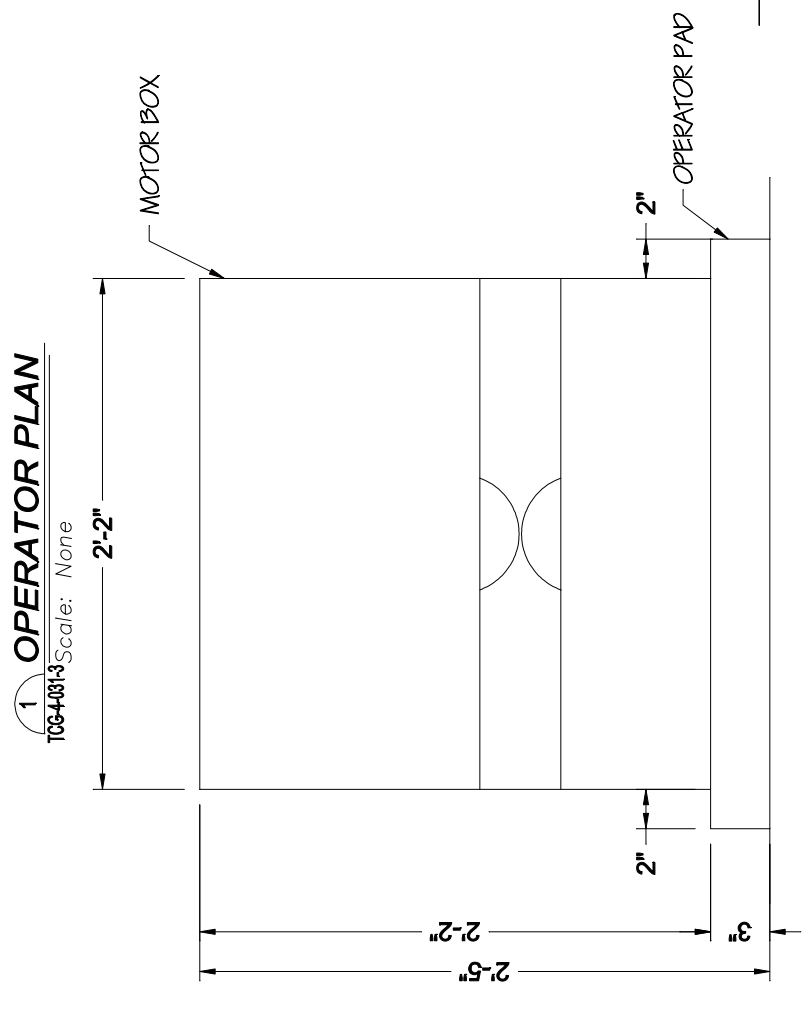
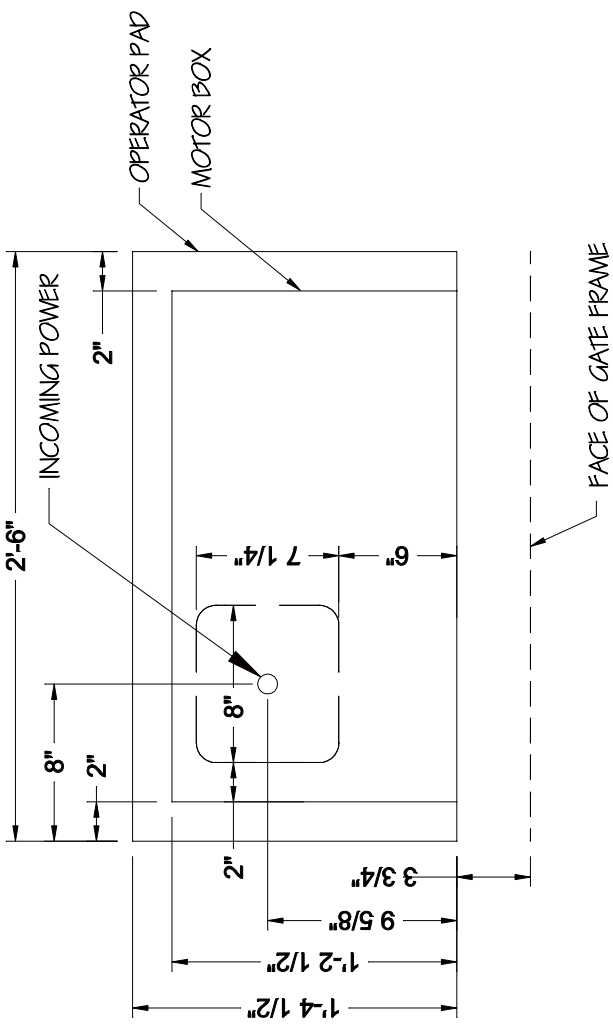
3 CATCH ASSEMBLY
TCG-4-031-2 Scale: None

TCG-4-031-3
 DRAWING NUMBER:
 3 of 5
 SHEET NUMBER:
 TCG-4-031-3.dwg
 PROJECT:

PROJECT:
 SUBJECT: TCM-HYD Gate Operator
 CONTRACTOR:
 ARCHITECT/ENGINEER:

DRAWN BY: SJD
 DATE: 8/31/17
 CHECKED BY: BGG
 DATE: 8/31/17
 SCALE: As Noted
 REVISION LEVEL: R0

TYMETAL CORP.
 www.tymetal.com
 678 WILBUR AVENUE
 GREENWICH, N.Y. 12834
 PH: (800) 328-4283 - FX: (518) 692-9404



3 OPERATOR SIDE ELEVATION
 Scale: None

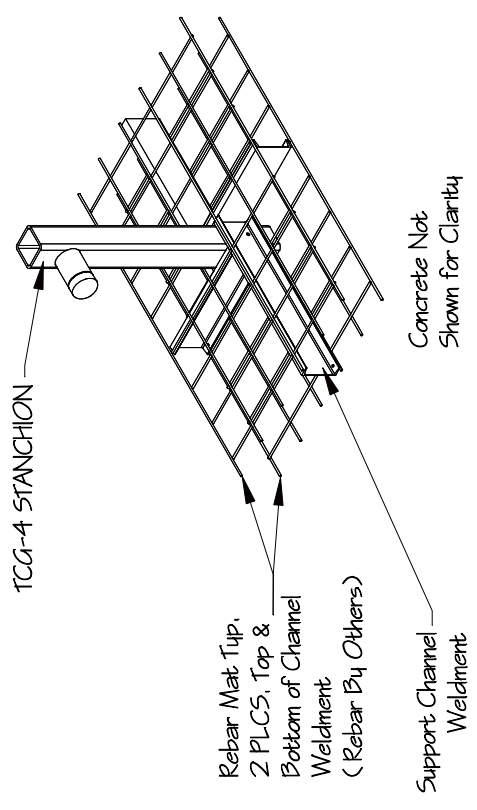
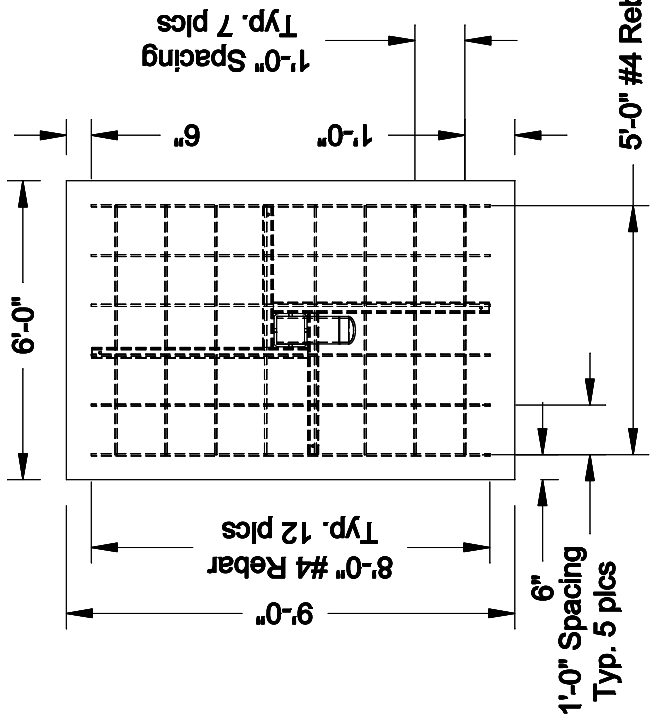
2 OPERATOR FRONT ELEVATION
 Scale: None

TCG-4-031-5
DRAWING NUMBER:
5 of 5
SHEET NUMBER:
TCG-4-031-5.dwg
DIRECTOR\CAD FILE:

PROJECT:
SUBJECT: Foundation Layout
CONTRACTOR:
ARCHITECT/ENGINEER:

DRAWN BY: SJD
DATE: 8/31/17
CHECKED BY: BGG
DATE: 8/31/17
SCALE: As Noted
REVISION LEVEL: R0

TYMETAL
CORP.
www.tymetal.com
678 WILBUR AVENUE
GREENWICH, N.Y. 12834
PH: (800) 328-4283 - FX: (518) 692-9404



STANCHION REBAR DETAILS

