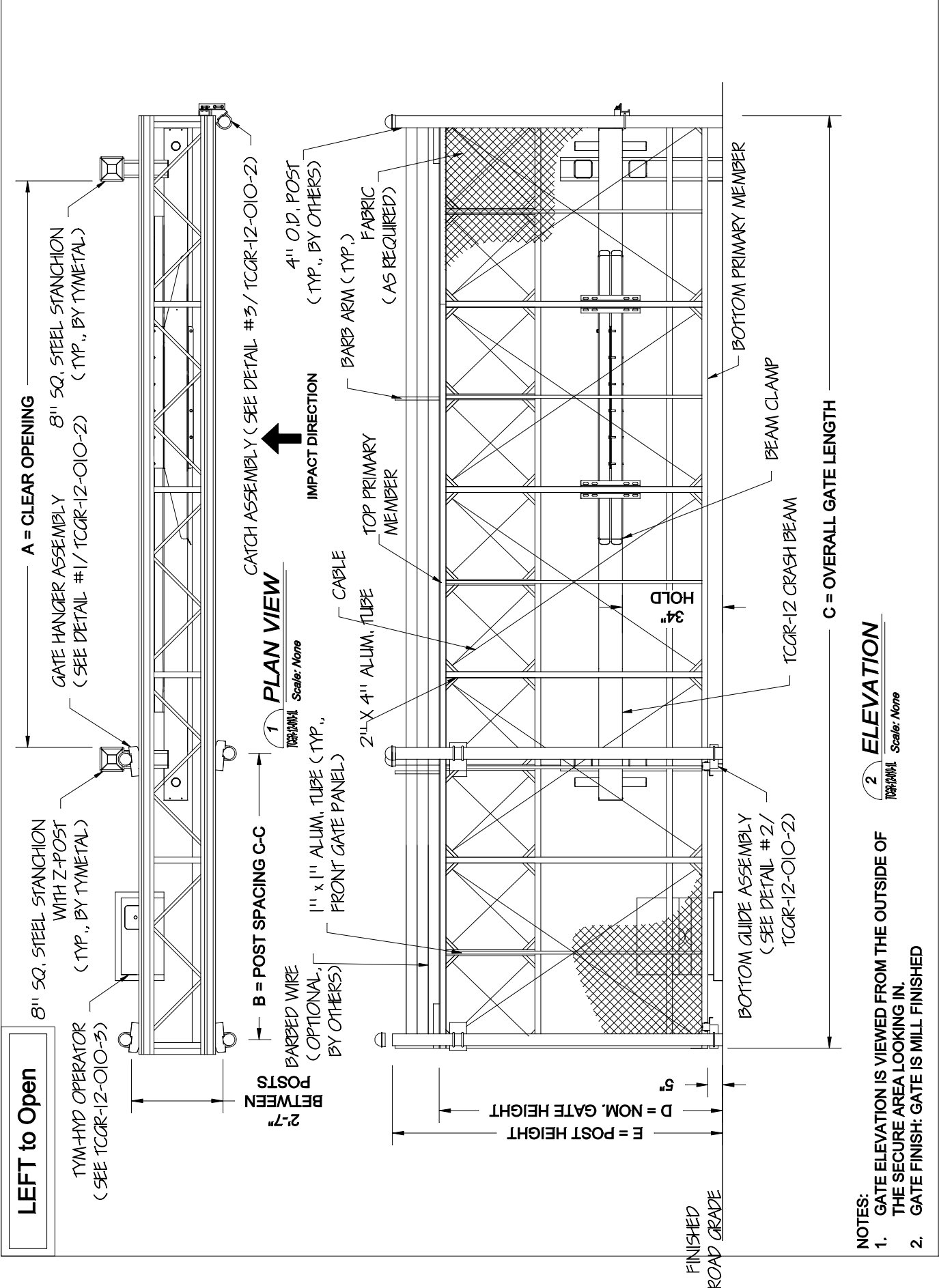


TCGR-12-010-1L  
 DRAWING NUMBER:  
 1 of 5  
 SHEET NUMBER:  
 TCGR-12-010-1L Box Frame Cantilever Slide Gate  
 DIRECTORY\CAD FILE:

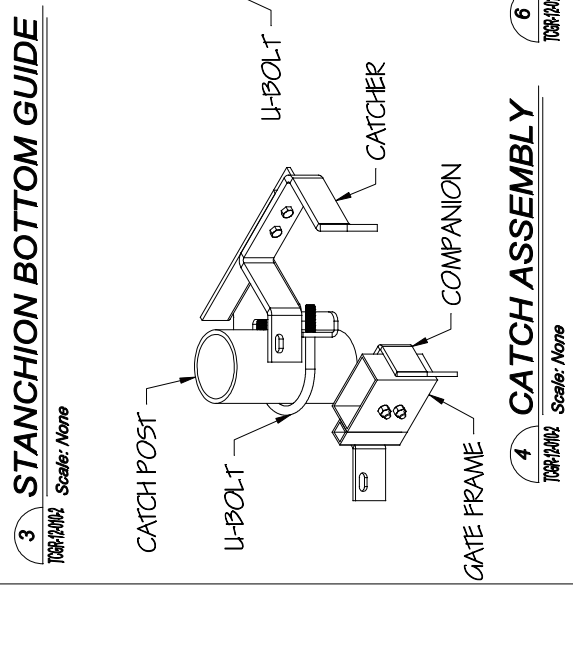
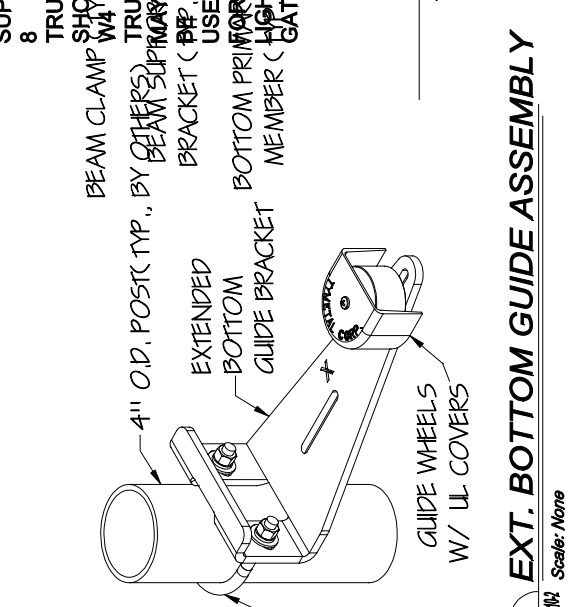
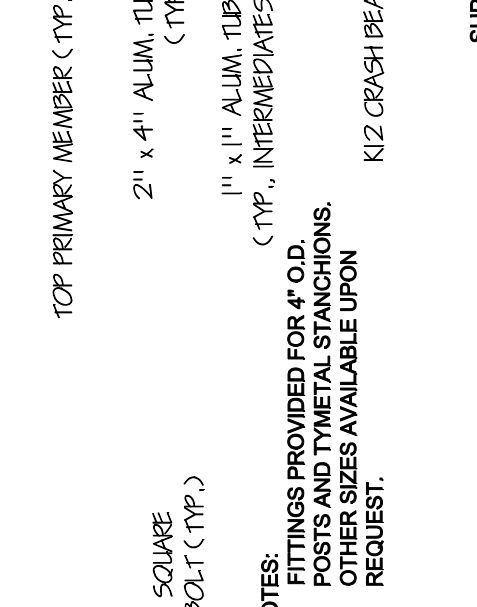
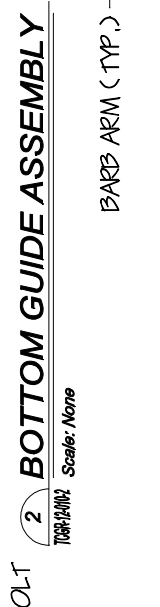
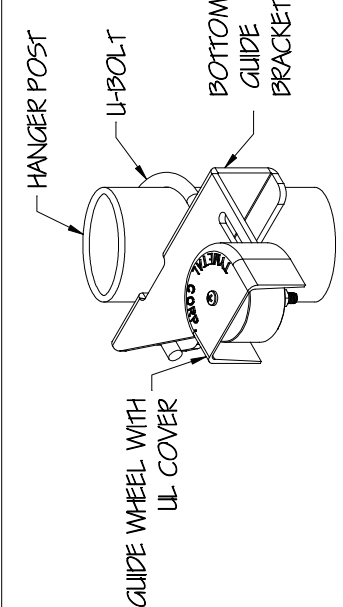
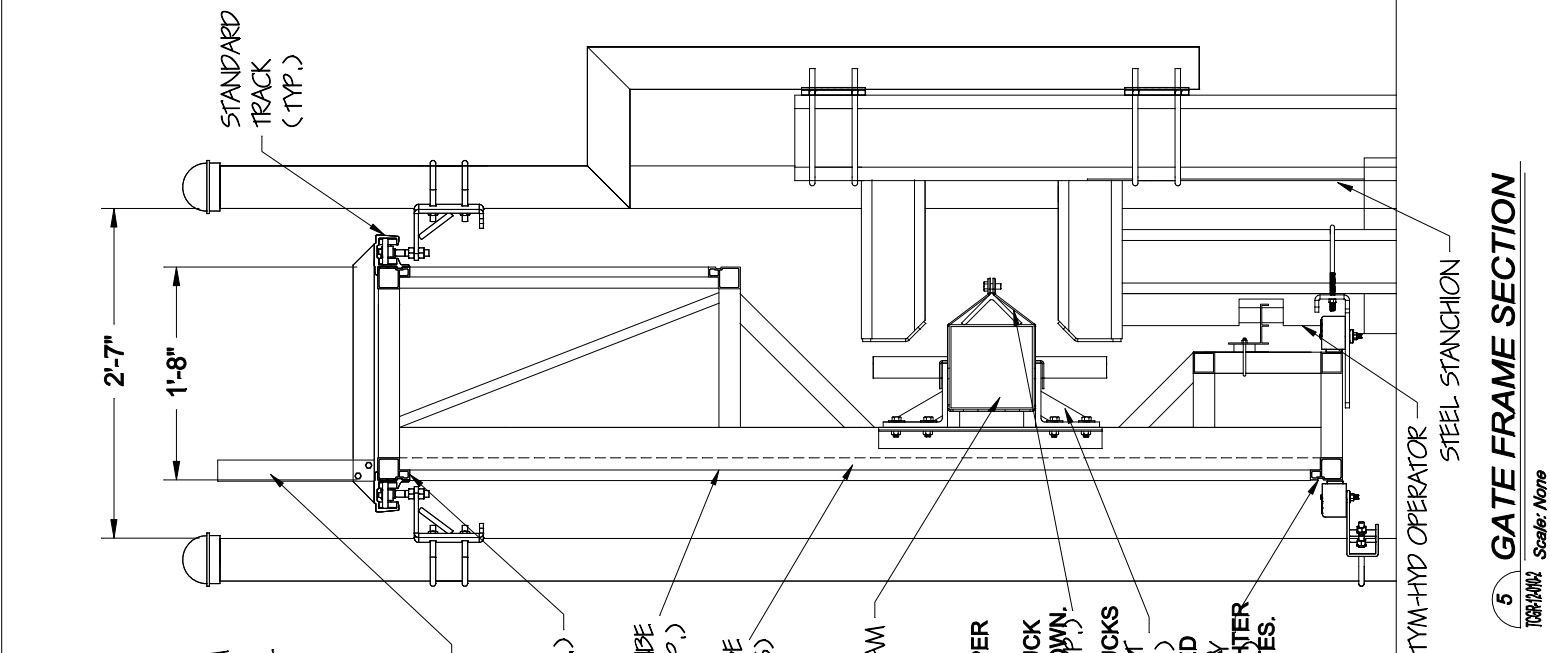
PROJECT:  
 SUBJECT: Box Frame Cantilever Slide Gate w/ K-12 Crash Beam  
 CONTRACTOR:  
 ARCHITECT/ENGINEER:

DRAWN BY: NBD  
 DATE: 1/7/20  
 CHECKED BY: SJD  
 DATE: 1/7/20  
 SCALE: As Noted  
 REVISION LEVEL: R4

**TYMETAL**  
 SECURITY GATES & PERIMETER SOLUTIONS  
 678 WILBUR AVENUE GREENWICH, N.Y. 12834  
 PH: (800) 328-4283 - FX: (518) 692-9404



CRITICAL DIMENSION CHART				
NOMINAL GATE SIZE	A	B	C	D
CLEAR OPENING	A			D
POST SPACING C/C	(A/2) - 0'-2"	E		POST HEIGHT
OVERALL GATE LENGTH	(A x 1.5) + 2'-3"			D + 1'-6"

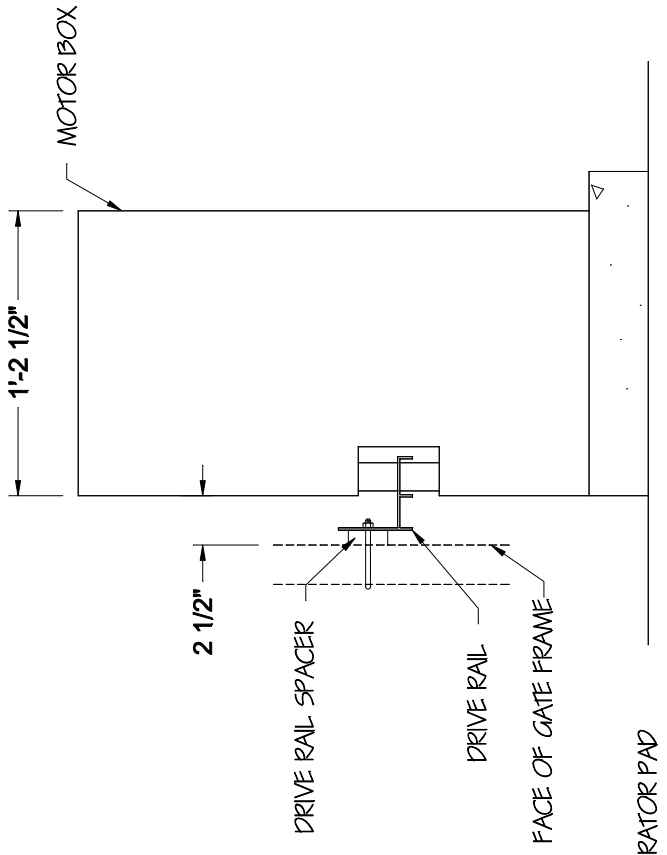
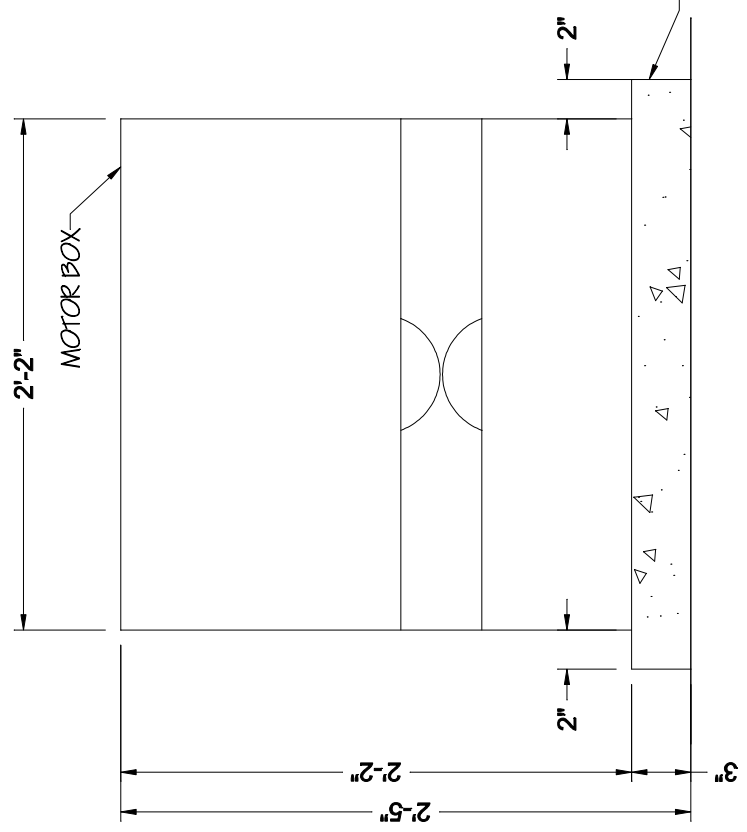
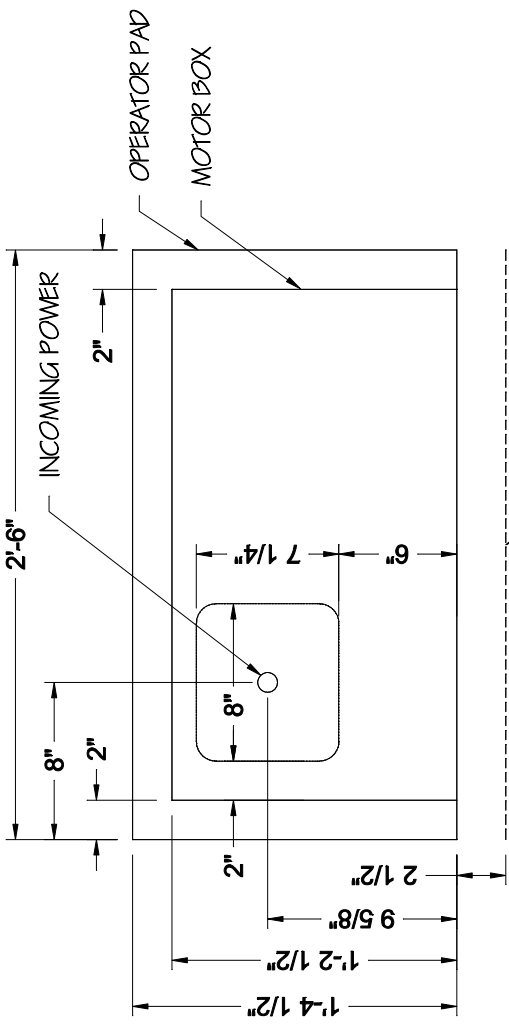


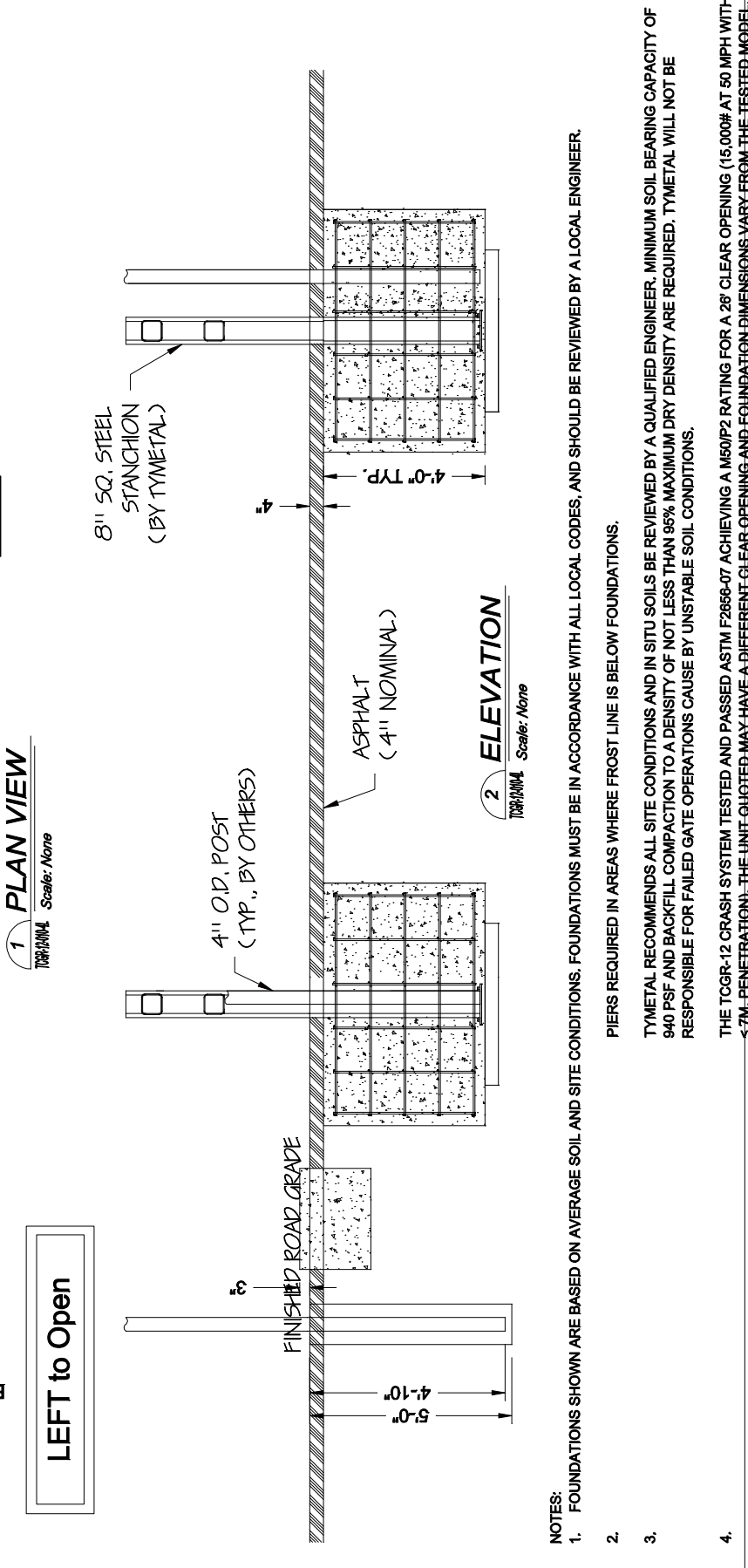
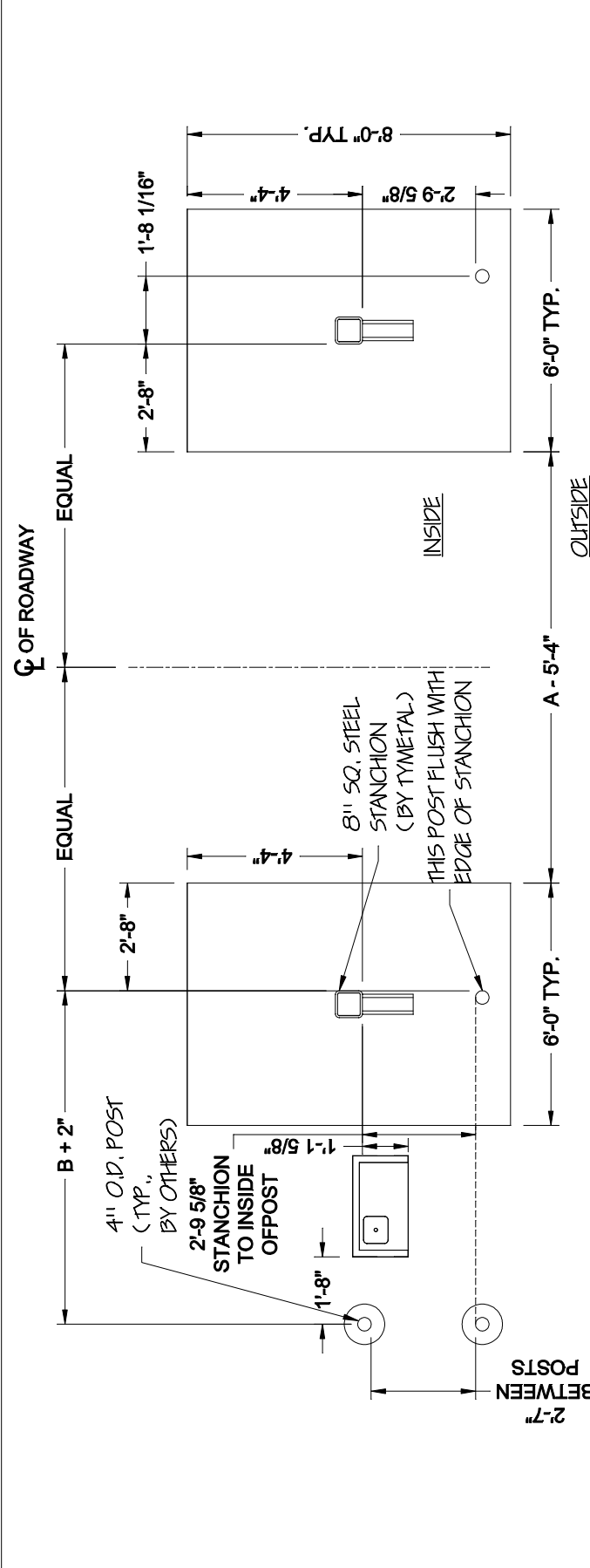
NOTES:  
1. FITTINGS PROVIDED FOR 4" O.D. POSTS AND TYMETAL STANCHIONS. OTHER SIZES AVAILABLE UPON REQUEST.  
2.

TCGR-12-010-3  
DRAWING NUMBER:  
3 of 5  
SHEET NUMBER:  
PROJECT: TCM-HYD Operator Details  
CONTRACTOR:  
ARCHITECT/ENGINEER:

PROJECT:	TCM-HYD Operator Details
SUBJECT:	CONTRACTOR:
DIRECTOR\CAD FILE:	
DATE:	1/7/20
CHECKED BY:	SJD
DATE:	1/7/20
DRAWN BY:	NBD
REVISION LEVEL:	R4
SCALE:	As Noted

**TYMETAL**  
SECURITY GATES & PERIMETER SOLUTIONS  
678 WILBUR AVENUE GREENWICH, N.Y. 12834  
PH: (800) 328-4283 - FX: (518) 692-9404





**LEFT to Open**

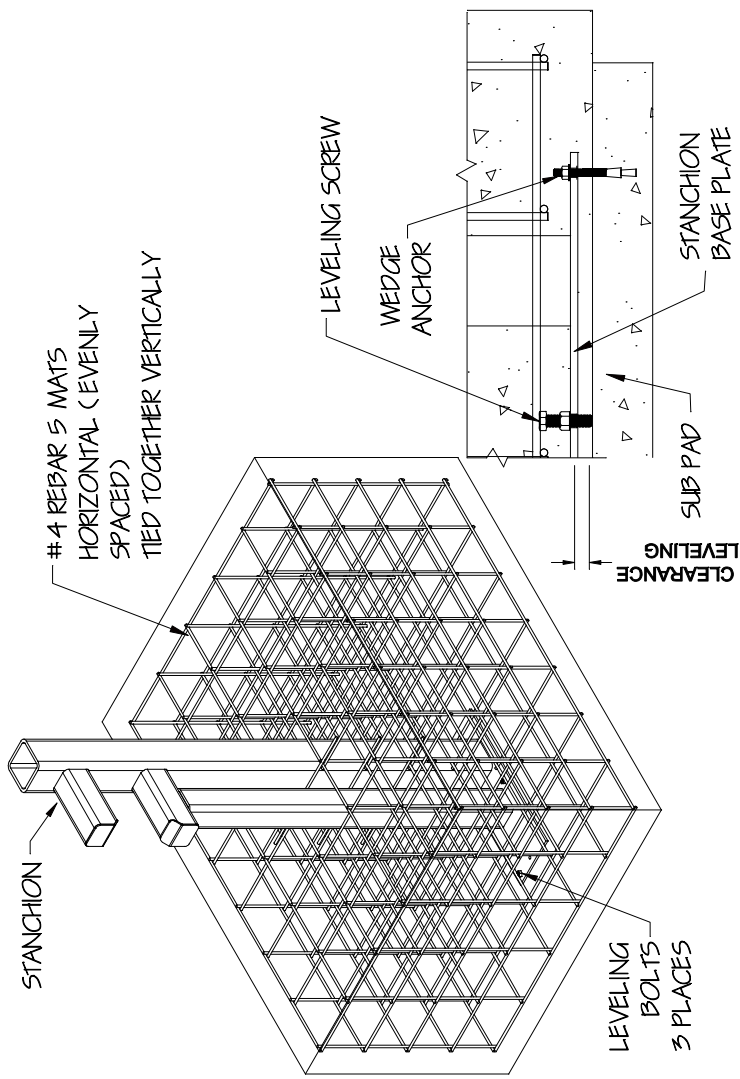
- NOTES:**
- FOUNDATIONS SHOWN ARE BASED ON AVERAGE SOIL AND SITE CONDITIONS. FOUNDATIONS MUST BE IN ACCORDANCE WITH ALL LOCAL CODES, AND SHOULD BE REVIEWED BY A LOCAL ENGINEER.
  - PIERS REQUIRED IN AREAS WHERE FROST LINE IS BELOW FOUNDATIONS.
  - TYMETAL RECOMMENDS ALL SITE CONDITIONS AND IN SITU SOILS BE REVIEWED BY A QUALIFIED ENGINEER. MINIMUM SOIL BEARING CAPACITY OF 940 PSF AND BACKFILL COMPACTION TO A DENSITY OF NOT LESS THAN 95% MAXIMUM DRY DENSITY ARE REQUIRED. TYMETAL WILL NOT BE RESPONSIBLE FOR FAILED GATE OPERATIONS CAUSE BY UNSTABLE SOIL CONDITIONS.
  - THE TCGR-12 CRASH SYSTEM TESTED AND PASSED ASTM F2666-07 ACHIEVING A M60P2 RATING FOR A 26' CLEAR OPENING (15,000# AT 50 MPH WITH <7M. PENETRATION). THE UNIT QUOTED MAY HAVE A DIFFERENT CLEAR-OPENING AND FOUNDATION DIMENSIONS VARY FROM THE TESTED MODEL, BUT CAN BE EXPECTED TO PERFORM IN A SIMILAR MANNER UNDER SIMILAR CONDITIONS.

TCGR-12-010-5  
DRAWING NUMBER:  
5 of 5  
SHEET NUMBER:  
PROJECT: DIRECTOR/CAD FILE:

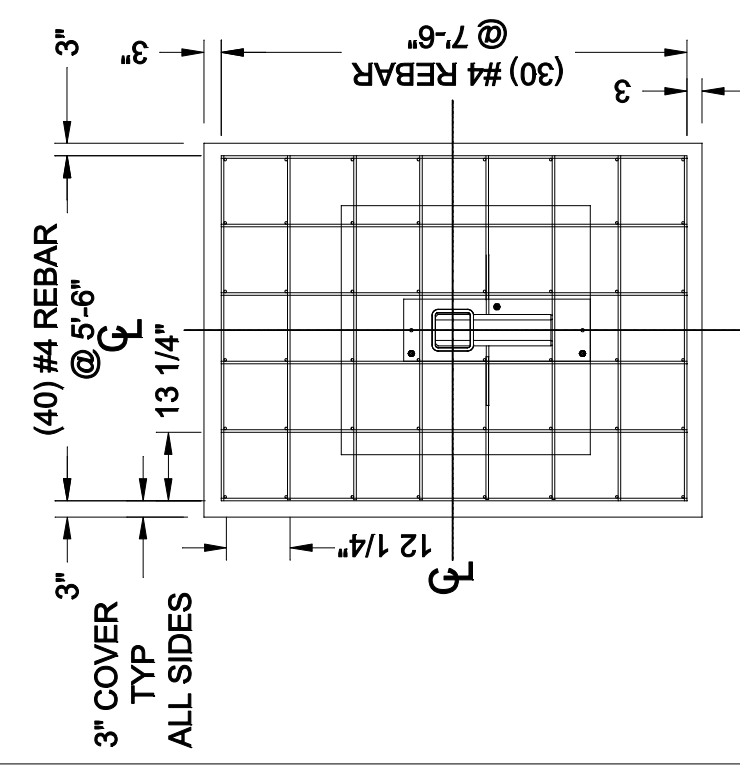
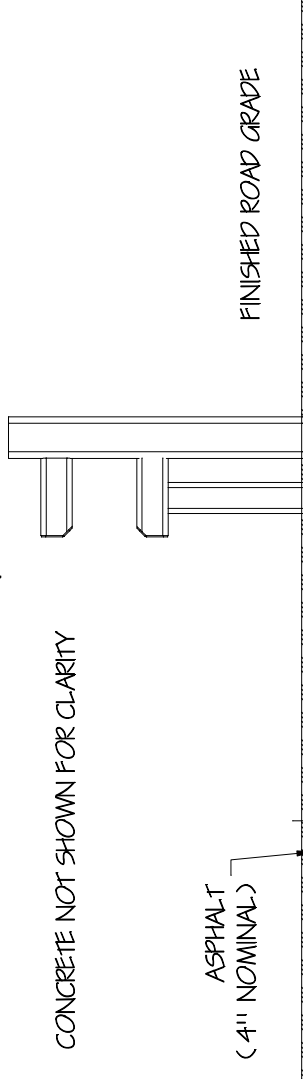
PROJECT: STANCHION DETAILS  
SUBJECT: STANCHION DETAILS  
CONTRACTOR:  
ARCHITECT/ENGINEER:

DRAWN BY: NBD  
DATE: 1/7/20  
CHECKED BY: SJD  
DATE: 1/7/20  
SCALE: As Noted  
REVISION LEVEL: R4

**TYMETAL**  
SECURITY GATES & PERIMETER SOLUTIONS  
678 WILBUR AVENUE GREENWICH, N.Y. 12834  
PH: (800) 328-4283 - FX: (518) 692-9404



**4 LEVELING DETAIL** Scale: None  
TCGR-12-010-5



**3 STANCHION RIGHT VIEW** Scale: None  
TCGR-12-010-5

