

SLIDES LEFT TO OPEN

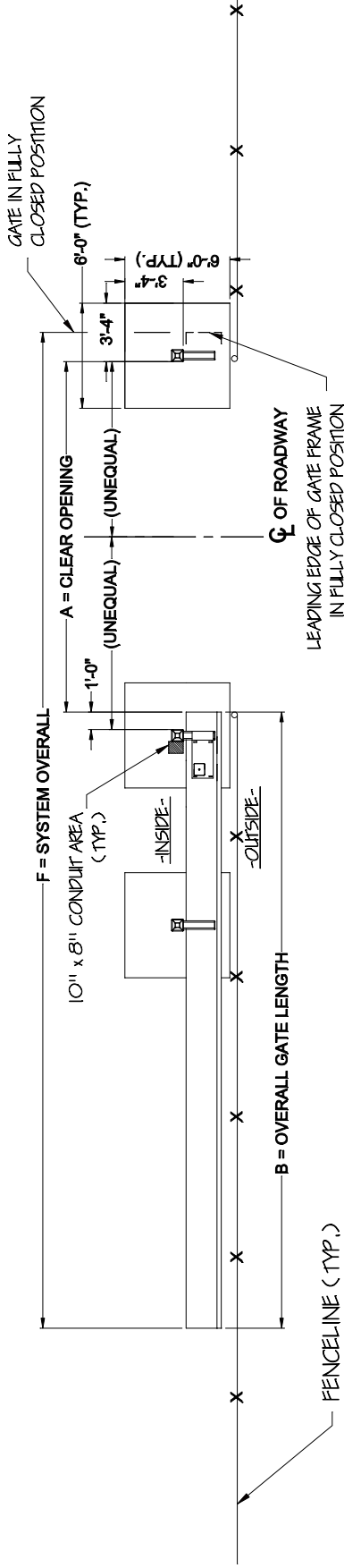
- NOTES:**
- DRAWN FROM UNSECURE SIDE / OUTSIDE LOOKING IN.
 - VARIOUS INFILLS AVAILABLE - INCLUDING ORNAMENTAL PICKET.
 - ASTM F2656 M50-P1 / K12 CRASH RATED.

NOT RECOMMENDED FOR HIGH CYCLE APPLICATIONS.

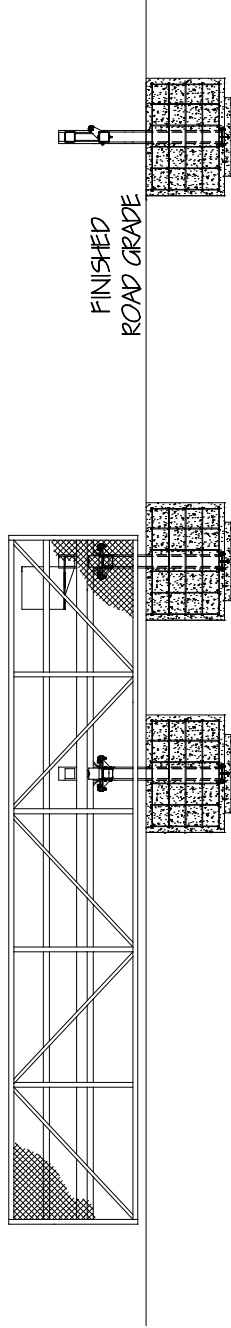
CRITICAL DIMENSION CHART

	UP TO 18'-0"	D	RECEIVER STANCHION SPACING
A	CLEAR OPENING	E	COUNTERBALANCE STANCHION SPACING
B	OVERALL GATE LENGTH	F	SYSTEM OVERALL
C	NOMINAL GATE HEIGHT		

SLIDES LEFT TO OPEN (RIGHT HAND OPPOSITE AND SIMILAR)



1 PLAN VIEW
Scale: None



2 ELEVATION
Scale: None (Unsecured Side)

- NOTES:**
- FOUNDATIONS SHOWN ARE BASED ON AVERAGE SOIL AND SITE CONDITIONS. FOUNDATIONS MUST BE IN ACCORDANCE WITH ALL LOCAL CODES, AND SHOULD BE REVIEWED BY A LOCAL ENGINEER.
 - PIERS REQUIRED IN AREAS WHERE FROST LINE IS BELOW FOUNDATIONS. SUBPOURS ACCEPTABLE TO MEET FOUNDATION REQUIREMENTS.
 - TYMETAL RECOMMENDS ALL SITE CONDITIONS AND IN SITU SOILS BE REVIEWED BY A QUALIFIED ENGINEER. MINIMUM SOIL BEARING CAPACITY OF 940 PSF AND BACKFILL COMPACTION TO A DENSITY OF NOT LESS THAN 95% MAXIMUM DRY DENSITY ARE REQUIRED. TYMETAL WILL NOT BE RESPONSIBLE FOR FAILED GATE OPERATIONS CAUSED BY UNSTABLE SOIL CONDITIONS.

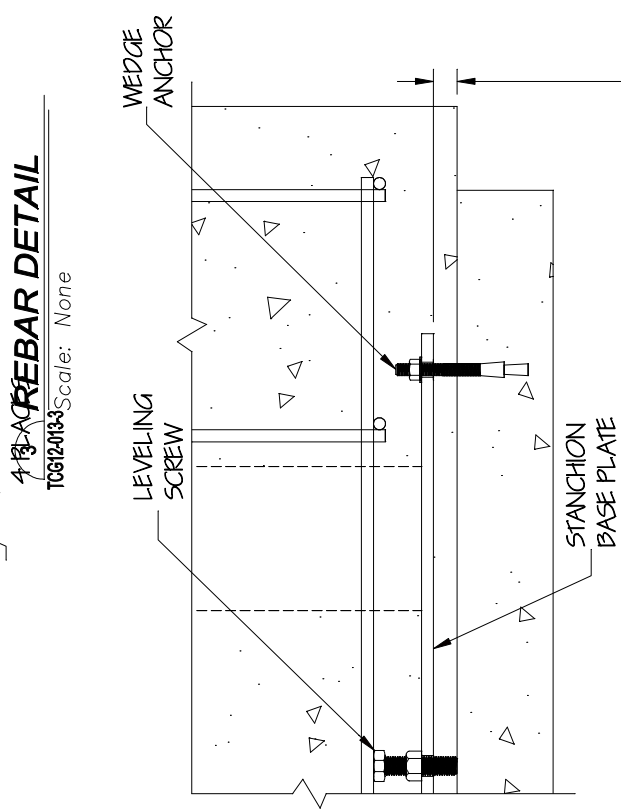
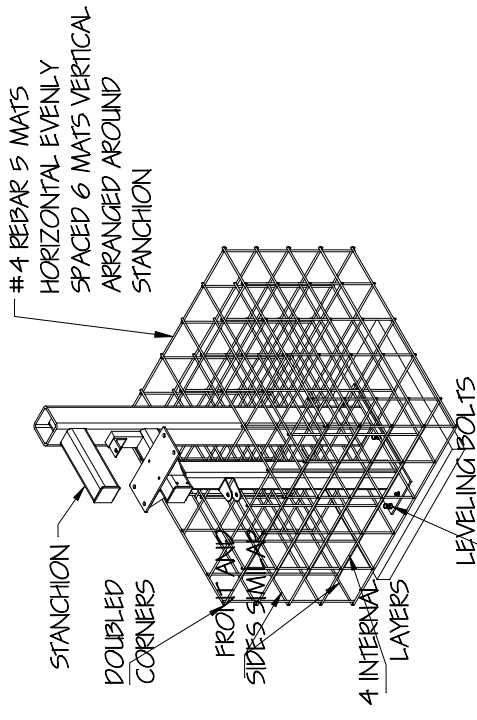
TCG12-013-2 DRAWING NUMBER:	ARCHITECT/ENGINEER:	REVISION LEVEL: R1	 SECURITY GATES & PERIMETER SOLUTIONS 678 WILBUR AVENUE GREENWICH, N.Y. 12834 PH: (800) 328-4283 - FX: (518) 692-9404
2 of 4 SHEET NUMBER:	CONTRACTOR:	SCALE: As Noted	
TCG12-013 TYPARD Gate, APC, RI DIRECTOR\GAD FILE:	SUBJECT: TCG-12 Cantilever Slide Gate w/ TYM-HYD Gate Operator	DATE: 8/11/16	
	PROJECT:	CHECKED BY: BGG	
		DATE: 8/11/16	
		DRAWN BY: SLK	

TCG12-013-3
 DIRECTOR\CAD FILE:
 TCG12-013 TMMHD Cantilever Gate Operator
 SHEET NUMBER:
 3 of 4
 DRAWING NUMBER:

PROJECT:
 TCG-12 Cantilever Slide Gate w/ TMM-HYD Gate Operator
 SUBJECT:
 CONTRACTOR:
 ARCHITECT/ENGINEER:
 TCG12-013-3 Scale: None

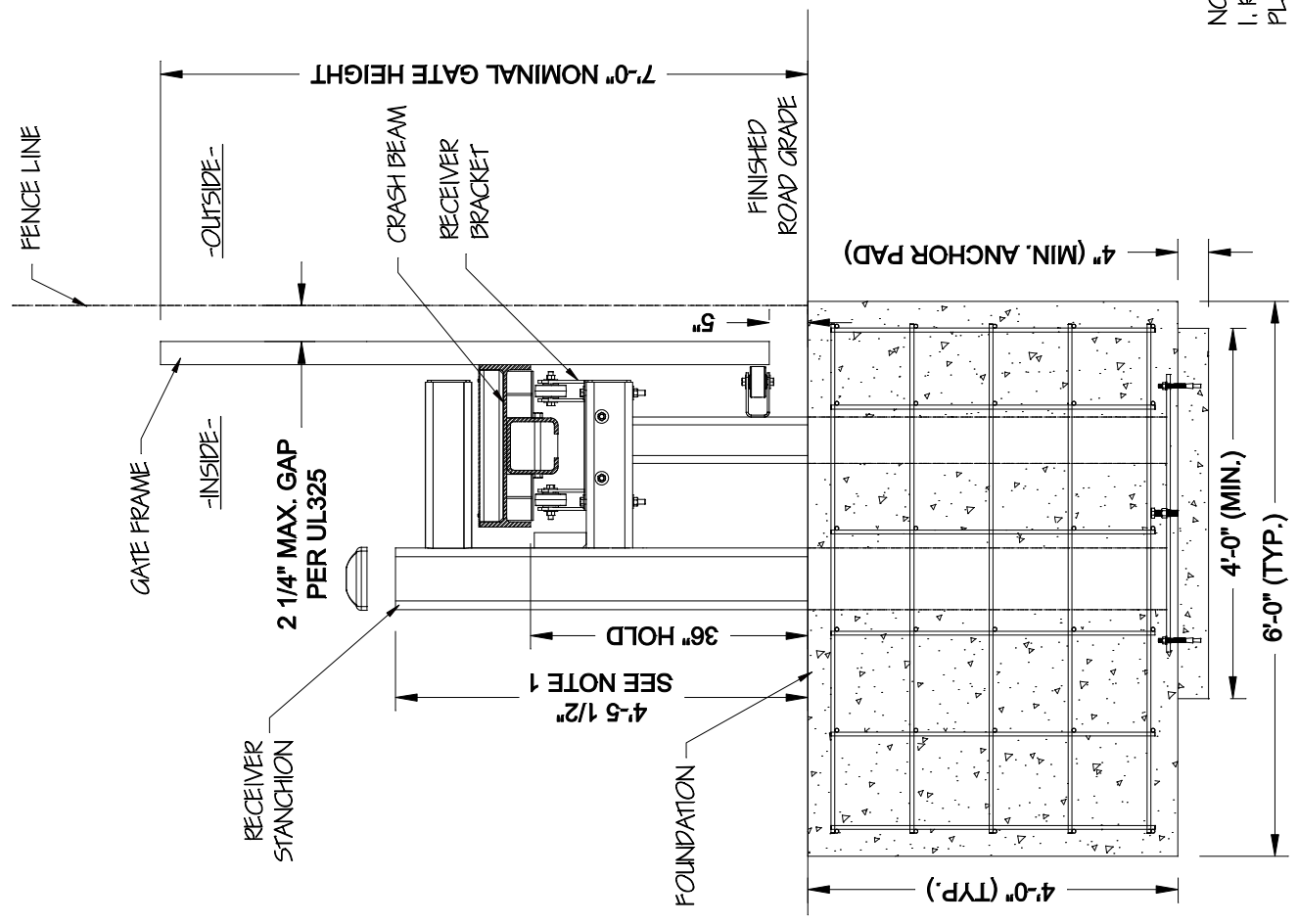
DRAWN BY: SLK
 DATE: 8/11/16
 CHECKED BY: BGG
 DATE: 8/11/16
 REVISION LEVEL:
 As Noted
 R1

Tymetal
 SECURITY GATES & PERIMETER SOLUTIONS
 678 MLBUR AVENUE GREENWICH, N.Y. 12834
 PH: (800) 328-4283 - FX: (518) 692-9404



1" NOM. CLEARANCE FOR LEVELING
 2 LEVELING DETAIL
 TCG12-013-3 Scale: None

NOTES:
 1. REFER TO INSTALLATION MANUAL FOR STANCHION PLACEMENT AND CRITICAL DIMENSIONS

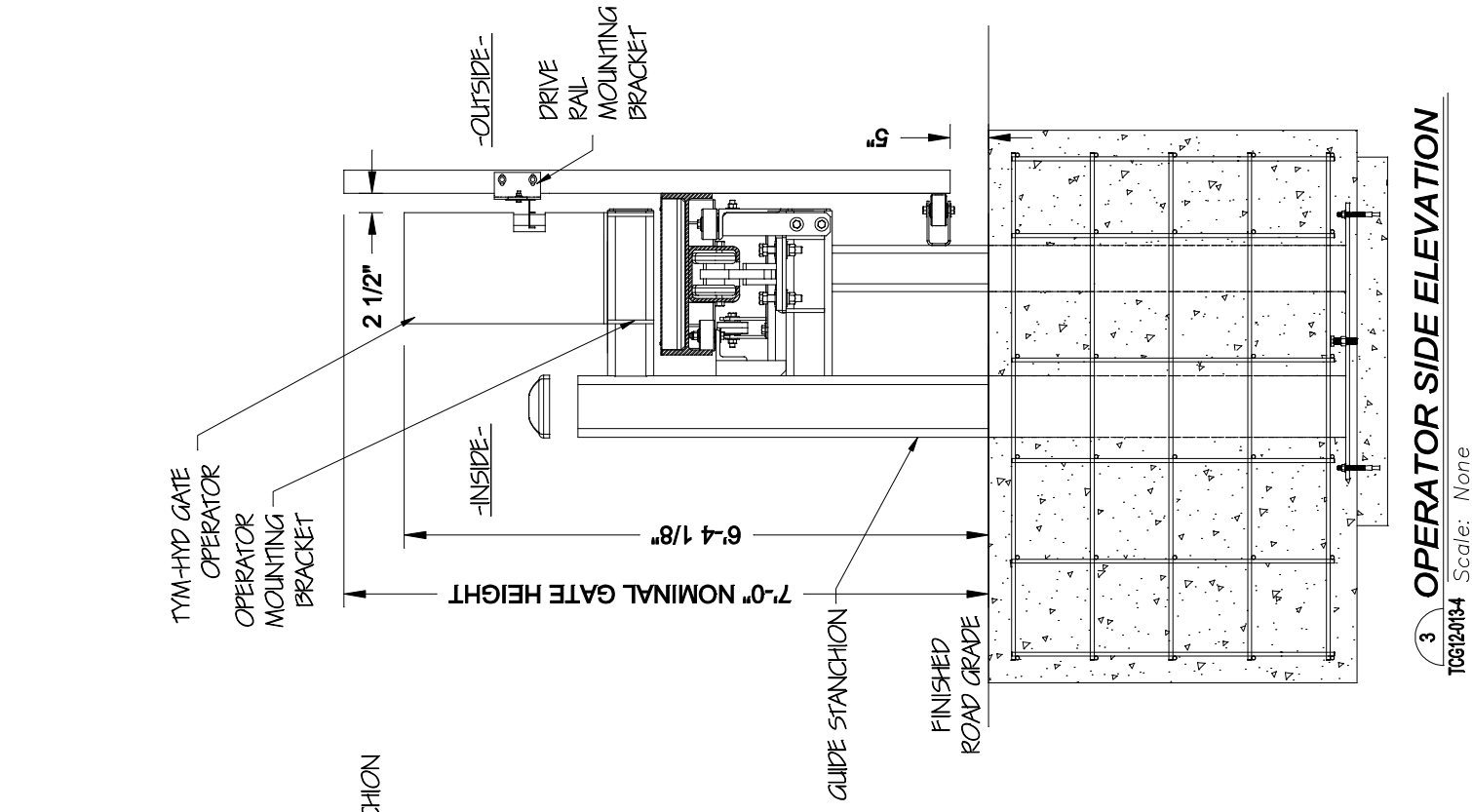


1 SECTION
 TCG12-013-3 Scale: None

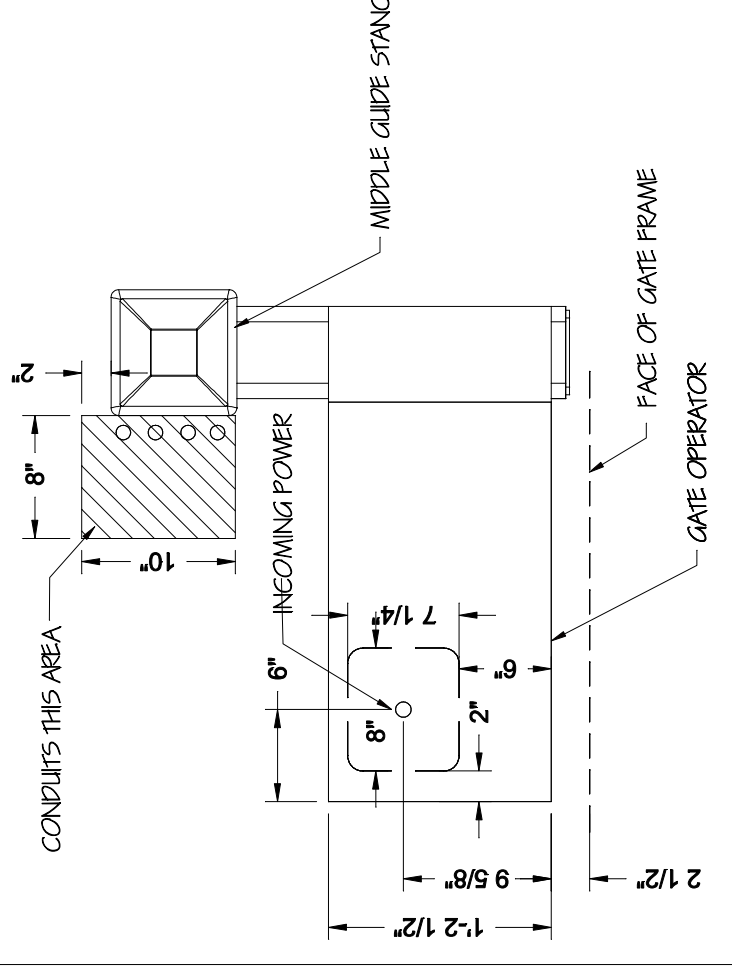
TCG12-013-4
 DIRECTOR\GAD FILE:
 SHEET NUMBER:
 4 of 4
 DRAWING NUMBER:
 TCG12-013-4

PROJECT:	CONTRACTOR:	ARCHITECT/ENGINEER:
SUBJECT:	Gate Operator Details	
DRAWN BY:	SLK	DATE: 8/11/16
CHECKED BY:	BGG	DATE: 8/11/16
SCALE:	As Noted	
REVISION LEVEL:	R1	

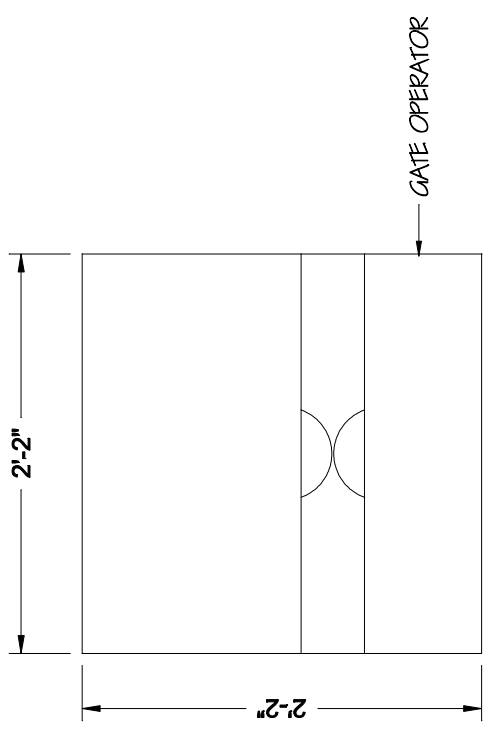
Tymetal
 SECURITY GATES & PERIMETER SOLUTIONS
 678 MLBUR AVENUE GREENWICH, N.Y. 12834
 PH: (800) 328-4283 - FX: (518) 692-9404



3 OPERATOR SIDE ELEVATION
 Scale: None
 TCG12-013-4



1 OPERATOR PLAN
 (LH & RHT GATE SIMILAR)
 Scale: None
 TCG12-013-4



2 OPERATOR FRONT ELEVATION
 Scale: None
 TCG12-013-4