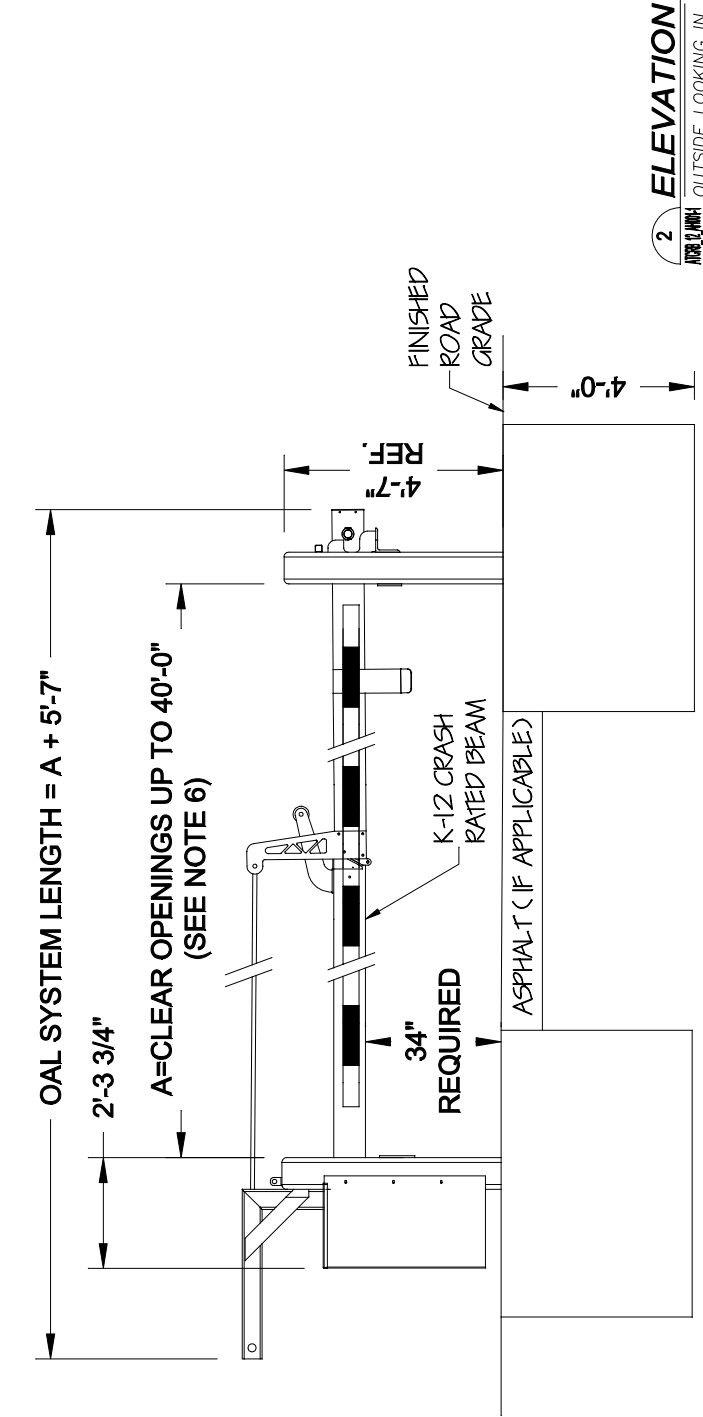
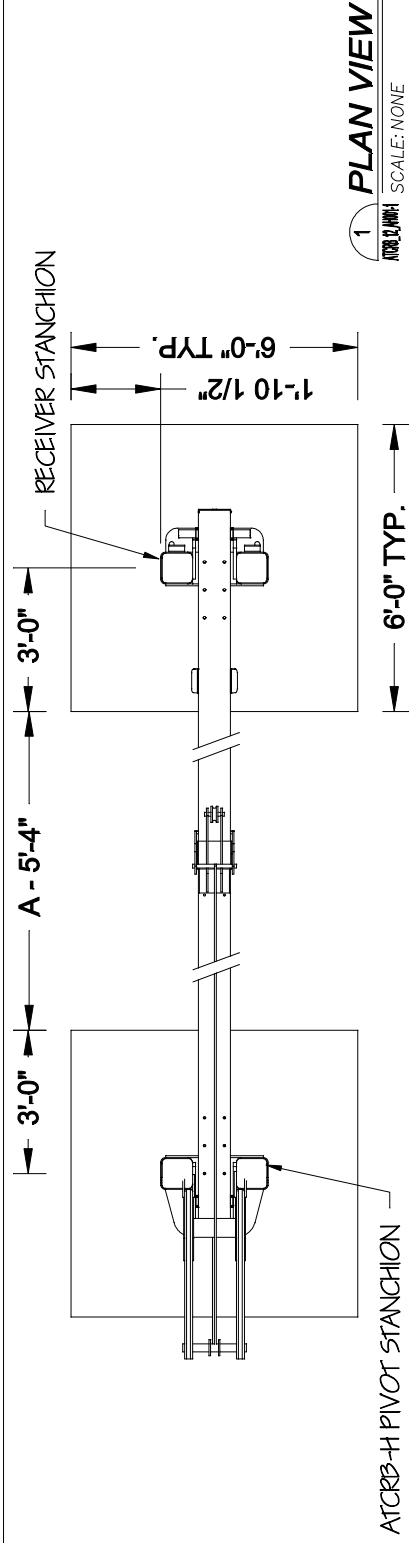


ATCRB-12 Hydraulic
SHEET NUMBER:
1 of 5
DRAWING NUMBER:
ATCRB 12 AH001-1

PROJECT:
Tymetal Articulating ATCRB-12 (TYM-ATCRB-12)
SUBJECT:
CONTRACTOR:
ARCHITECT/ENGINEER:

DRAWN BY: NDB
DATE: 4/4/22
CHECKED BY: BGG
DATE: 4/4/22
SCALE: As Noted
REVISION LEVEL: R1

TYMETAL
A FORT MILLER GROUP COMPANY
978 MILBUR AVENUE GREENWICH, N.Y. 12834
PH: (800) 328-4283 - FX: (518) 692-9404

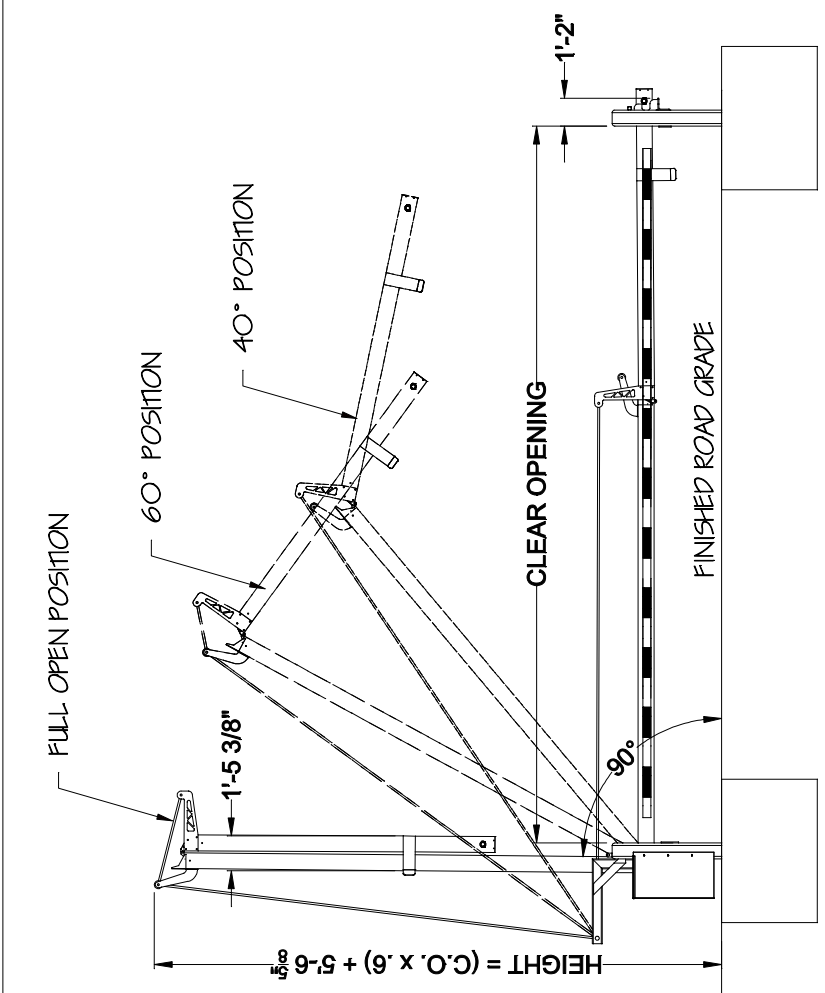
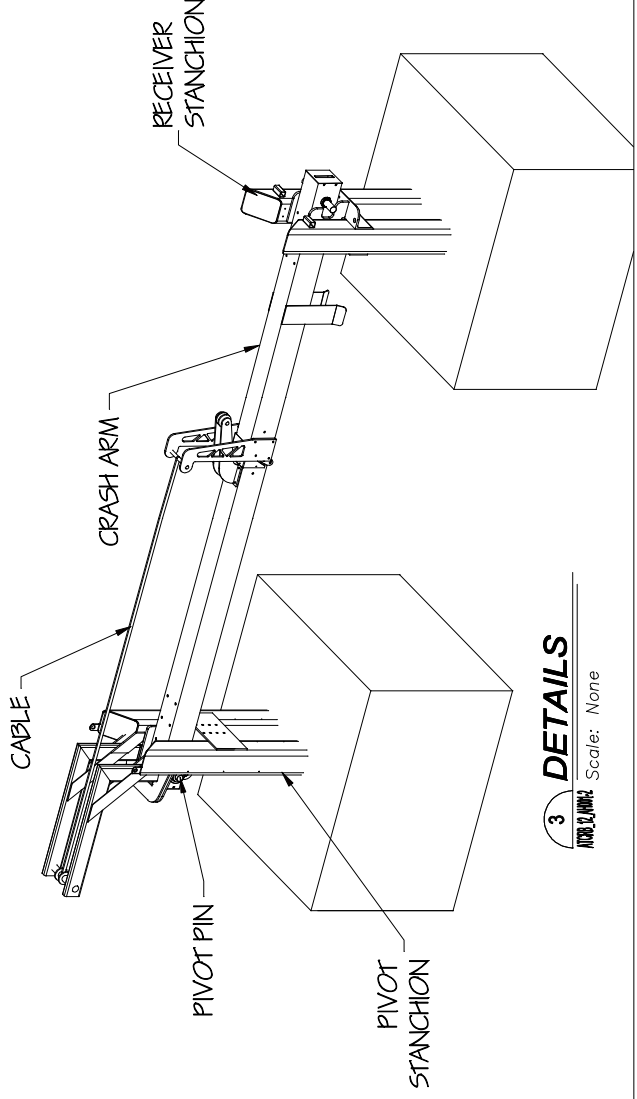
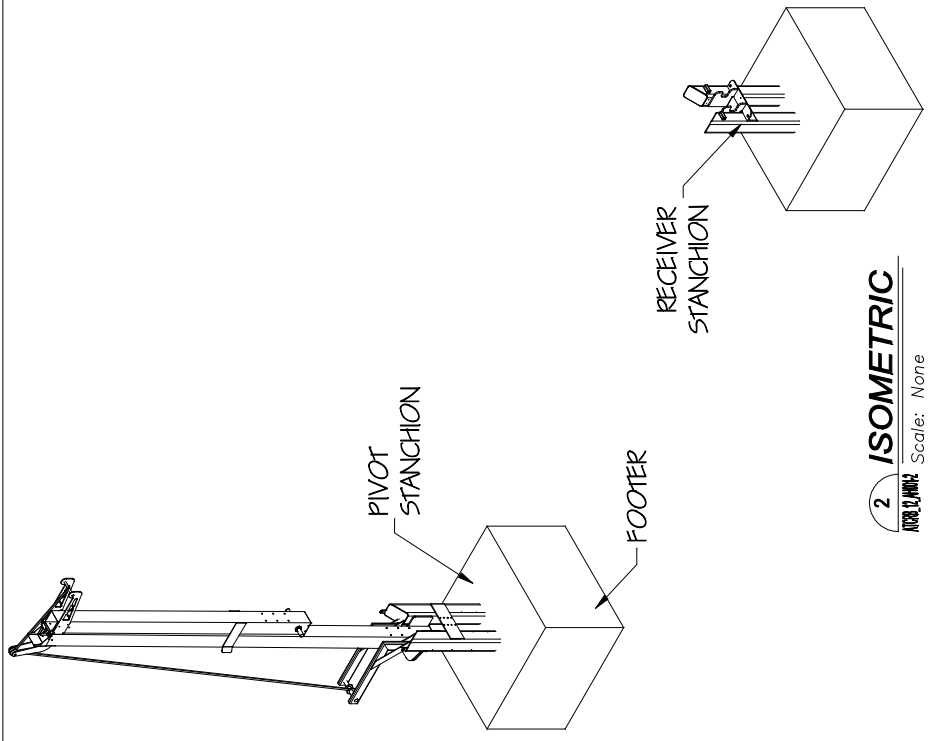


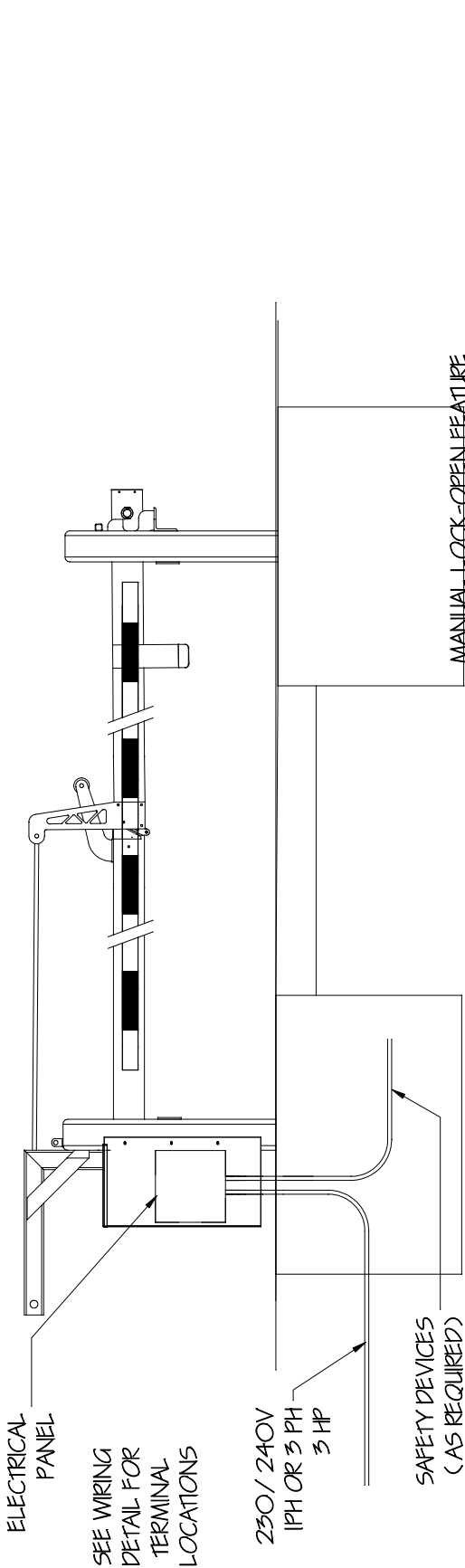
- NOTES:**
- ATCRB BARRIER PRECAUTIONS: TYMETAL DOES NOT PROVIDE TRAFFIC OR SAFETY ENGINEERING SERVICES. VEHICLES AS WELL AS PEDESTRIANS MUST BE WARNED AS TO THE BARRIER'S PRESENCE AND OPERATION. THE OWNER/OPERATOR (END USER) AND/OR FACILITY ARCHITECT SELECTING THIS CRASH BARRIER SHALL ASSUME RESPONSIBILITY FOR PROVIDING TRAFFIC AND SAFETY ENGINEERING, INCLUDING ALL NECESSARY SAFETY FEATURES TO BE USED AT EACH BARRIER LOCATION, INCLUDING, BUT NOT LIMITED TO: SIDEWALKS FOR PEDESTRIAN TRAFFIC, SUFFICIENT ROADWAY LIGHTING, CAUTION SIGNAGE, TRAFFIC LIGHTS, AUDIBLE AND VISUAL WARNING ALERTS, SECONDARY TRAFFIC CONTROL DEVICES, AND GUARD/CONTROL BOOTHS.
 - GRADE ELEVATION MUST SLOPE AWAY FROM THE PIVOT STANCHION TO PREVENT ICE/WATER BUILDUP.
 - STANCHIONS ARE COATED WITH ZINC ENRICHED PRIMER AND PAINTED BLACK.
 - CRASH BEAM IS POWDER COATED WHITE WITH SHOP APPLIED REFLECTIVE TRAFFIC/VEHICULAR TAPE, RED AND WHITE, ALTERNATION WEATHERPROOF. TAPE WILL BE FHA-MUTCD COMPLIANT. BY TYMETAL, BOTH INBOUND AND OUTBOUND SIDES.
 - AREA BELOW BEAM (BETWEEN 8x8 TUBES) ON PIVOT STANCHION MUST REMAIN AT FINISHED GRADE FOR BEAM TRAVEL.
 - CLEAR OPENING IS MEASURED BETWEEN 8x8 TUBES ACROSS THE OPENING; MINIMUM 16", MAXIMUM 40".

CRASH RATED ASTM F2656 M50-P2

NOMINAL CLEAR OPENING
MAX. = 40'-0"

PROJECT:	ARCHITECT/ENGINEER:	R1
SUBJECT:	CONTRACTOR:	REVISION LEVEL:
TYM-ATCRB-12 Details		As Noted
DATE:	SCALE:	4/4/22
4/4/22	BGG	CHECKED BY:
4/4/22	NDB	DATE:
4/4/22	NDB	DRAWN BY:





1 ELEVATION VIEW

Scale: None

MANUAL LOCK-OPEN FEATURE
(USE AS NEEDED IN THE EVENT OF AN EMERGENCY)
NOT A LIFTING EYE

PROX-SWITCH BRACKET
(FOUR SWITCHES PROVIDED BY TYPICAL)

3 HP MOTOR AND PUMP

CYLINDER MOUNTING BRACKET

TO "A" PORT

HYDRAULIC CYLINDER

CLEAR OPENING

1 1/2"

NOTES:

- ALL SAFETIES (BY OTHERS, AS APPLICABLE) TERMINATE IN EACH BARRIER CONTROLLER
- WIRE COUNTS ARE BASED ON HAVING SINGLE EFO BUTTON AND RESET TO ACTIVATE BARRIER
- SYSTEMS MAY OPERATE FROM ONE OR MORE CONTROL INTERFACES AS REQUIRED.
- BARRIER ARM CONTROLLER LOCATED WITHIN THE ELECTRICAL PANEL (BY TYPICAL)
- CONDUITS SHOWN ARE TYPICAL MINIMUMS, SEE LOCAL CODE FOR REQUIREMENTS.

CONDUIT & WIRE CHART				
CONDUIT	START LOCATION	END LOCATION	NO. OF WIRES	VOLTAGE/PHASE
A	ELECTRICAL CONTROL INTERFACE	BARRIER ARM CONTROLLER	6 MIN.	24VDC
B	ELECTRICAL PANEL/BREAKER PANEL (IN GUARD HOUSE)	BARRIER ARM CONTROLLER	2	208-230/240 3ph
C	ELECTRICAL PANEL (IN UNIT)	SAFETY DEVICES	TBD	

2 PIVOT STANCHION DETAIL

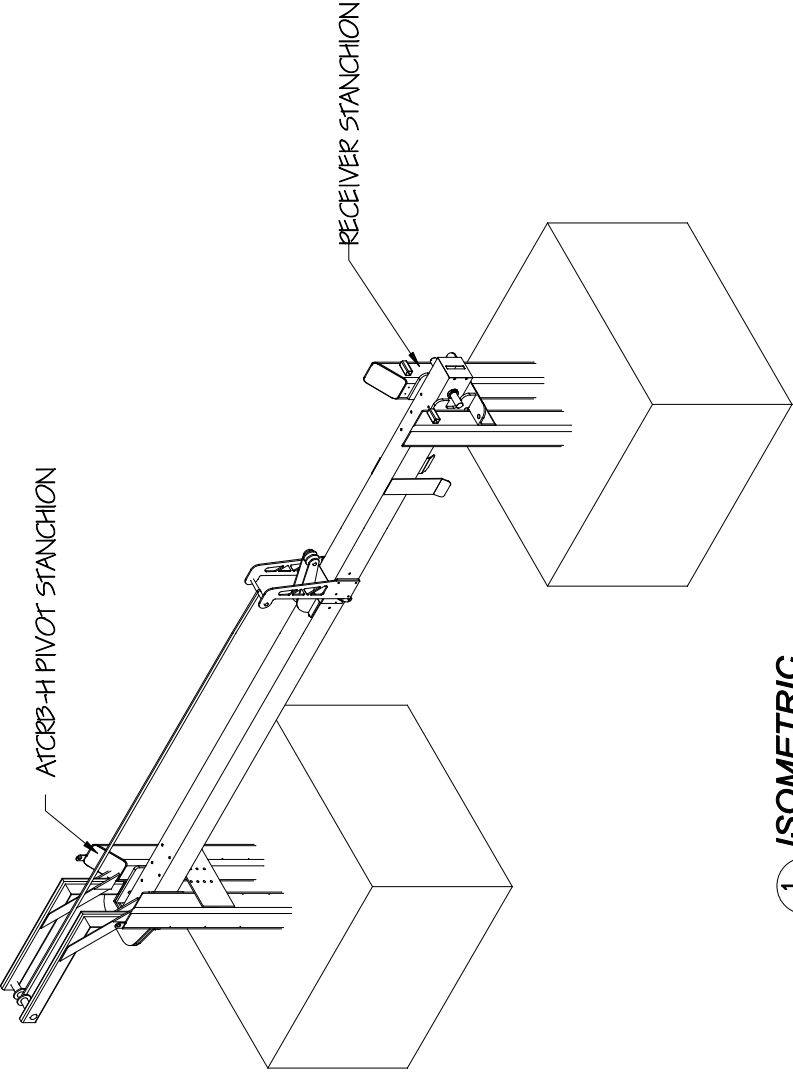
SCALE: NONE
-COVER NOT SHOWN-

ATGRB-12Hydraulic
 SHEET NUMBER:
4 of 5
 DRAWING NUMBER:
 ATGRB 12 AH0014

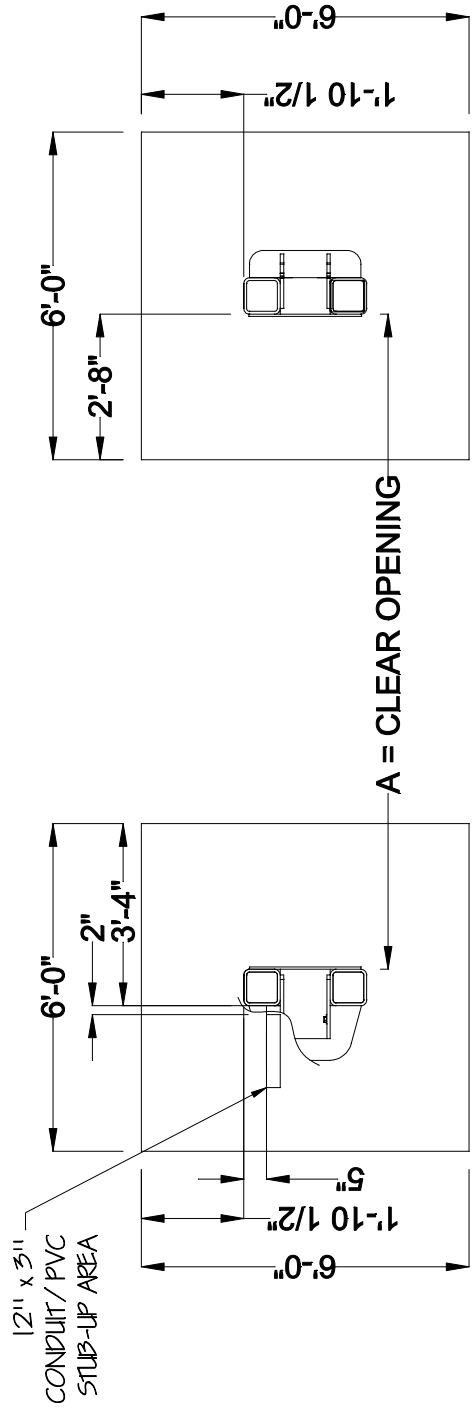
PROJECT:
 SUBJECT:
Foundation Layout
 CONTRACTOR:
 ARCHITECT/ENGINEER:

DRAWN BY:
NDB
 DATE:
4/4/22
 CHECKED BY:
BGG
 DATE:
4/4/22
 SCALE:
As Noted
 REVISION LEVEL:
R1

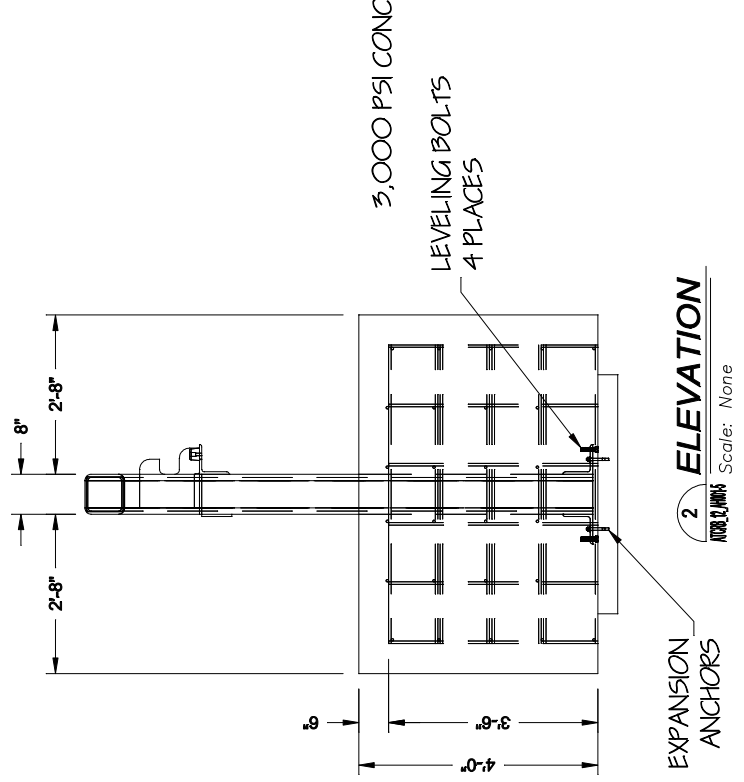
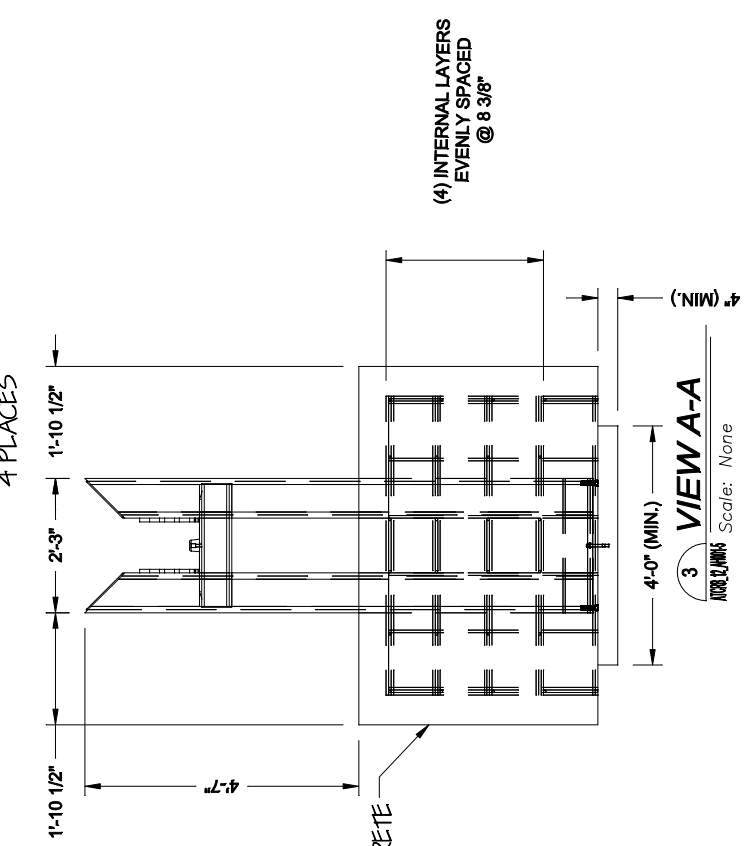
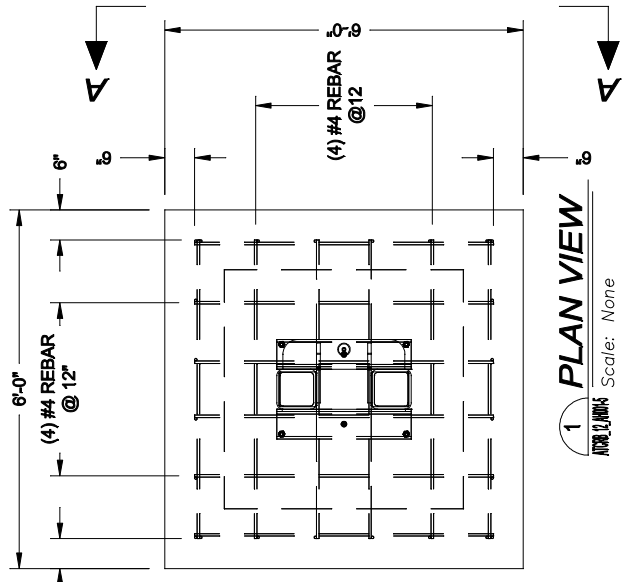
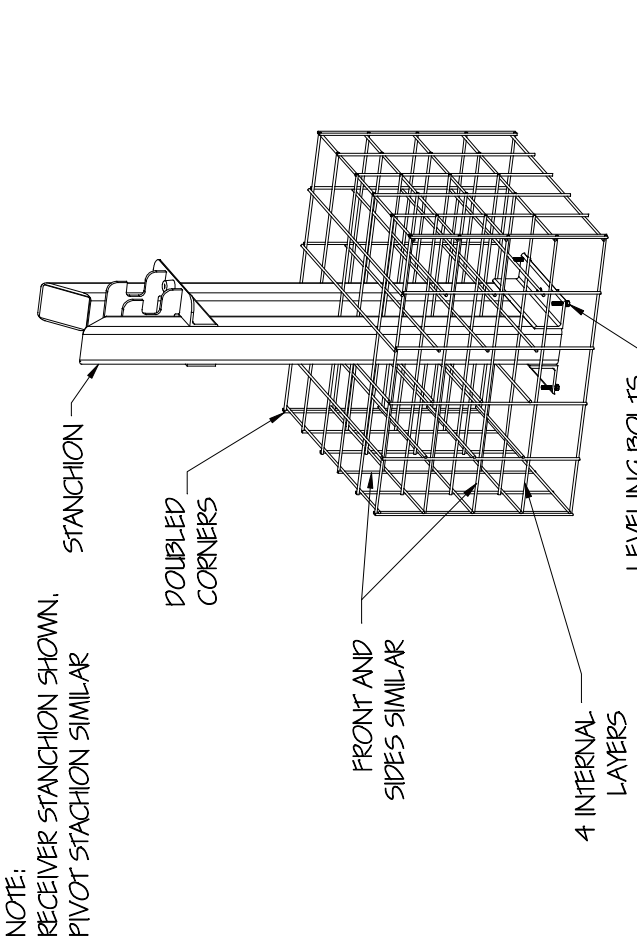
T Y METAL
 A FORT MILLER GROUP COMPANY
 678 MILBUR AVENUE GREENWICH, N.Y. 12834
 PH: (800) 328-4283 - FX: (518) 692-9404



1 ISOMETRIC
 SCALE: NONE



2 FOUNDATION PLAN
 OUTSIDE LOOKING IN



- NOTES:**
1. TYMETAL RECOMMENDS ALL SITE CONDITIONS BE REVIEWED BY A QUALIFIED ENGINEER. MINIMUM SITU SOIL BEARING CAPACITY OF 940 PSF AND BACKFILL COMPACTION TO A DENSITY OF NOT LESS THAN 95% MAXIMUM DRY DENSITY ARE REQUIRED. TYMETAL WILL NOT BE RESPONSIBLE FOR FAILED GATE OPERATIONS CAUSED BY UNSTABLE SOIL CONDITIONS.
 2. FOUNDATIONS SHOWN ARE BASED ON AVERAGE SOIL AND SITE CONDITIONS. FOUNDATIONS MUST BE IN ACCORDANCE WITH ALL LOCAL CODES, AND SHOULD BE REVIEWED BY A LOCAL ENGINEER.