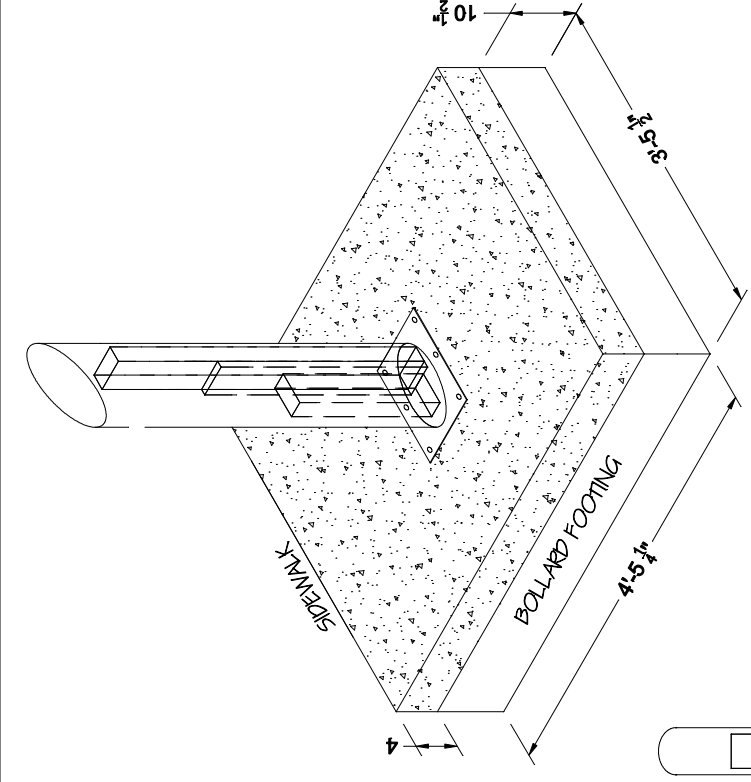


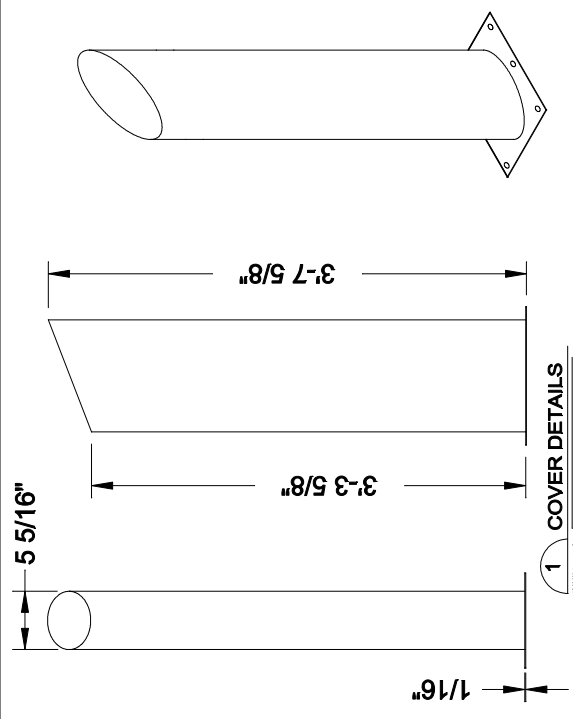
TS-30-003 Removable-SM-R2  
 DIRECTOR/CAD FILE:  
 SHEET NUMBER:  
 1 of 2  
 DRAWING NUMBER:  
 TS-30-003 Removable-SM-R1

PROJECT:  
 TRUCKSTOPPER 6-30+100 BOLLARD - REMOVABLE - SIDEWALK  
 SUBJECT:  
 CONTRACTOR:  
 ARCHITECT/ENGINEER:  
 SCALE:  
 None  
 DATE: 7/17/18  
 CHECKED BY: BGG  
 DATE: 7/17/18  
 DRAWN BY: NJD

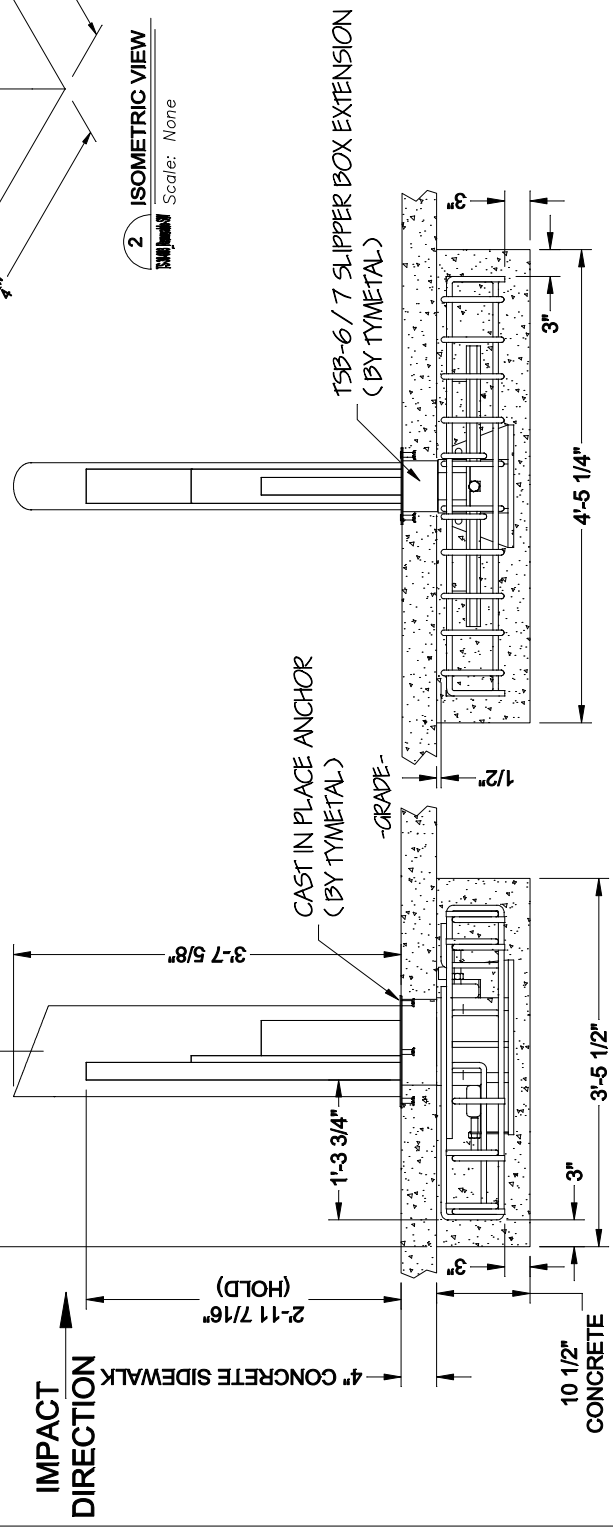
TYMETAL CORP  
 www.tymetal.com  
 678 WILBUR AVENUE  
 GREENWICH, N.Y. 12834  
 PH: (800) 328-4283 - FX: (518) 692-9404



2 ISOMETRIC VIEW  
 Scale: None



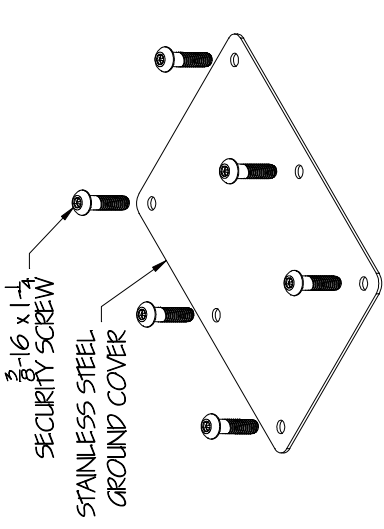
1 COVER DETAILS  
 Scale: None  
 -COVER IS REMOVABLE IN THIS INSTALLATION-



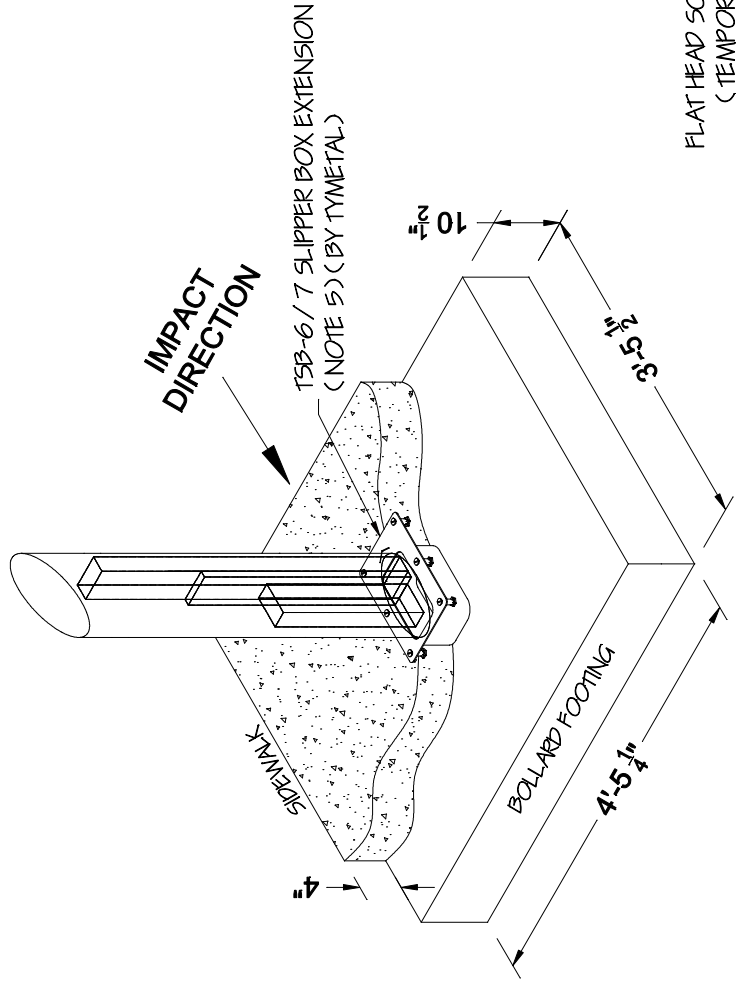
4 FRONT VIEW  
 Scale: None

3 SIDE VIEW  
 Scale: None

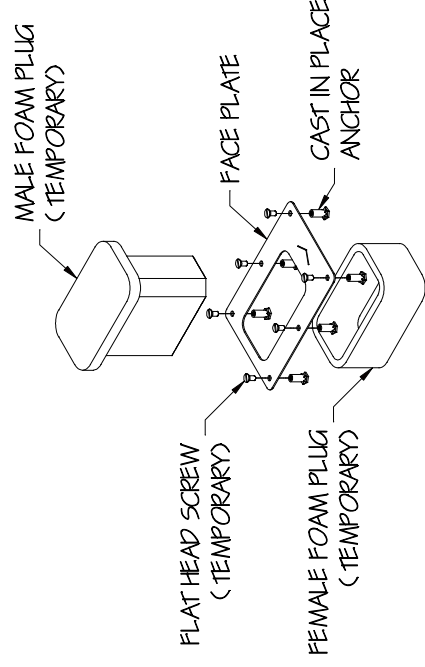
- NOTES:
- COPY AND DESIGN RIGHT BELONG TO SAFETYFLEX.
  - TESTED TO BSI PAS 68:2010. SIMILAR TO U.S. DOS K-4 AND ASTM F2656-07 M30. TESTED FOOTING WAS 49 1/4" WIDE x 39 3/8" LONG x 7 7/8" DEEP.
  - BOLLARD IS REMOVABLE IN THIS INSTALLATION.
  - USE 6000 PSI CONCRETE FOR BOLLARD FOOTING.



**2 BOLLARD GROUND COVER**  
 Scale: None



**1 ISOMETRIC VIEW**  
 Scale: None



**3 ISOMETRIC VIEW OF SLIPPER BOX EXT.**  
 Scale: None

- NOTES:**
1. COPY AND DESIGN RIGHT BELONG TO SAFETYFLEX.
  2. TESTED TO BSI PAS 68:2010. SIMILAR TO U.S. DOS K-4 AND ASTM F2656-07 M30. TESTED FOOTING WAS 49 1/4" WIDE x 39 3/8" LONG x 7 7/8" DEEP.
  3. BOLLARD IS REMOVABLE IN THIS INSTALLATION.
  4. USE 6000 PSI CONCRETE FOR BOLLARD FOOTING.
  5. PLACE TSB-6/7 SLIPPER BOX EXTENSION BEFORE POURING BOLLARD FOOTING.