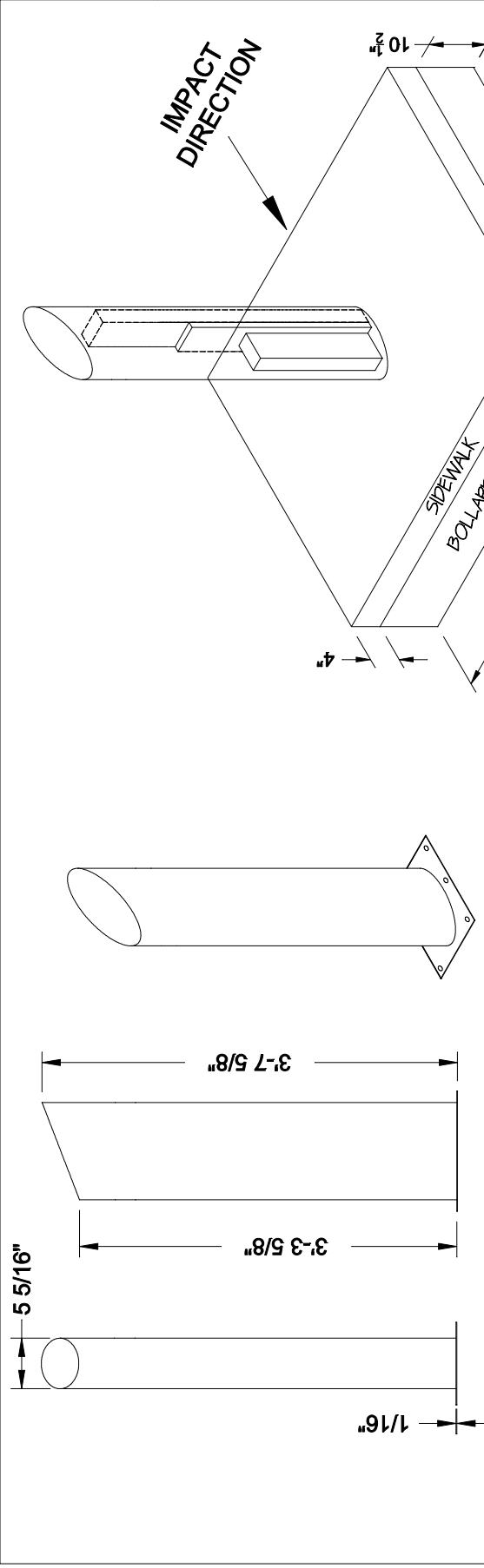


TS-30-001 Fixed SW R1  
 DIRECTOR/CAD FILE:  
 SHEET NUMBER:  
 1 of 1  
 DRAWING NUMBER:  
 TS-30-001 Fixed SW R1

PROJECT:  
 TRUCKSTOPPER 6-30+100 BOLLARD - Fixed - Sidewalk  
 CONTRACTOR:  
 ARCHITECT/ENGINEER:  
 SCALE:  
 None  
 DATE: 7/17/18  
 CHECKED BY: BGG  
 DATE: 7/17/18  
 DRAWN BY: NJD  
 REVISION LEVEL:  
 R1

TYMETAL CORP  
 www.tymetal.com  
 678 WILBUR AVENUE  
 GREENWICH, N.Y. 12834  
 PH: (800) 328-4283 - FX: (518) 692-9404

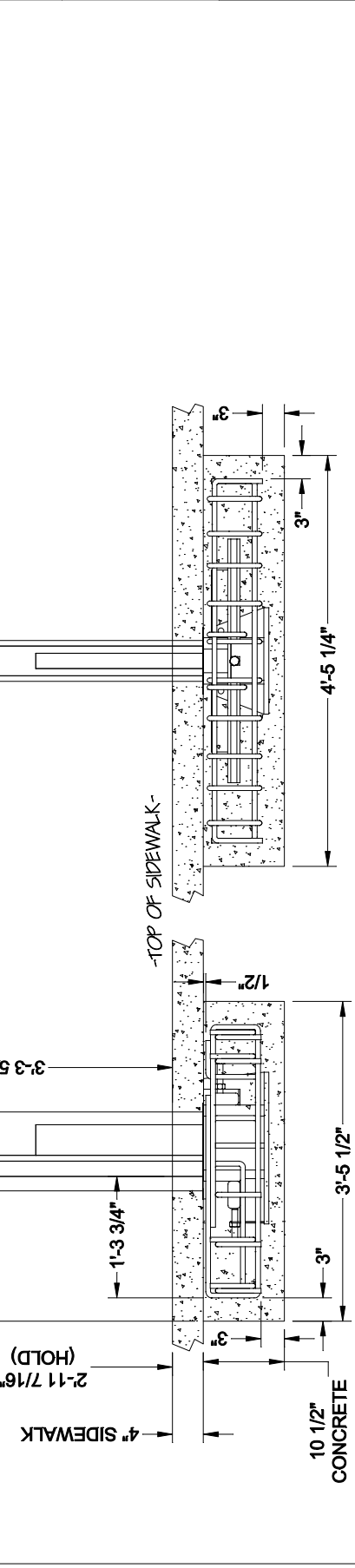


1 COVER DETAILS  
 Scale: None

-COVER IS NOT REMOVABLE IN THIS INSTALLATION-



2 ISOMETRIC VIEW  
 Scale: None



3 SIDE VIEW  
 Scale: None

4 FRONT VIEW  
 Scale: None

- NOTES:
1. COPY AND DESIGN RIGHT BELONG TO SAFETYFLEX.
  2. TESTED TO BSI PAS 68:2010. SIMILAR TO U.S. DOS K-4 AND ASTM F2656-07 M30. TESTED FOOTING WAS 49 1/4" WIDE x 39 3/8" LONG x 7 7/8" DEEP.
  3. BOLLARD IS NOT REMOVABLE IN THIS INSTALLATION.
  4. USE 6000 PSI CONCRETE FOR BOLLARD FOOTING.