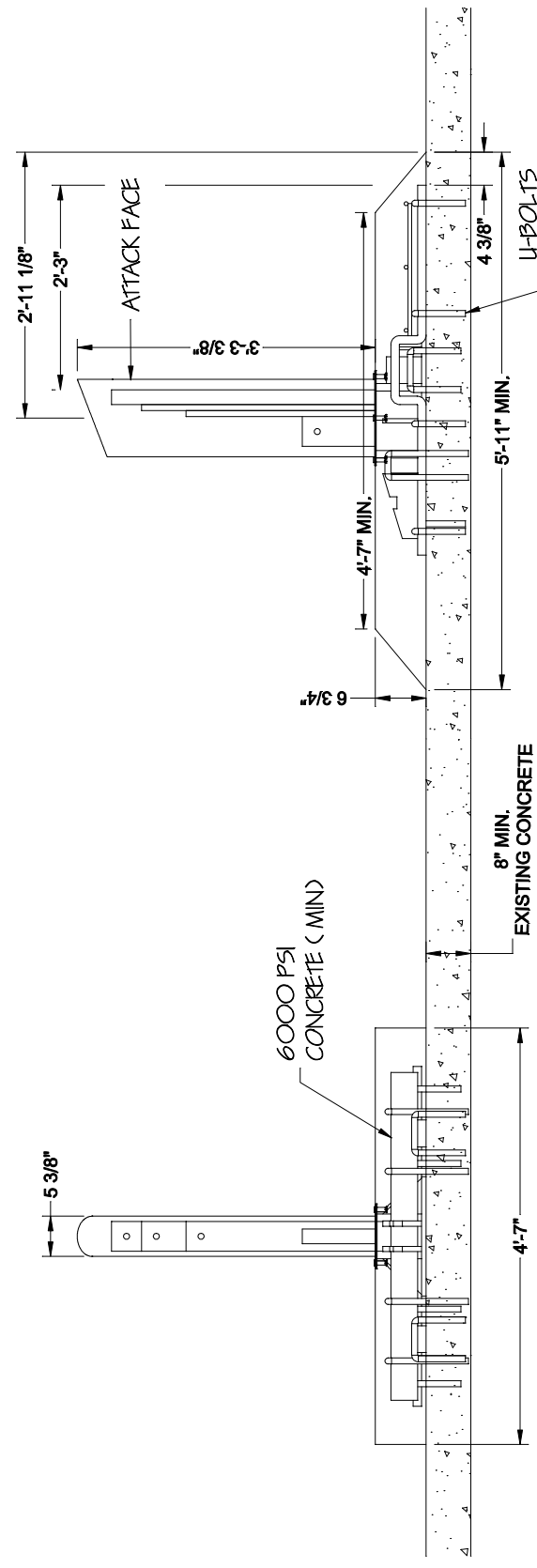
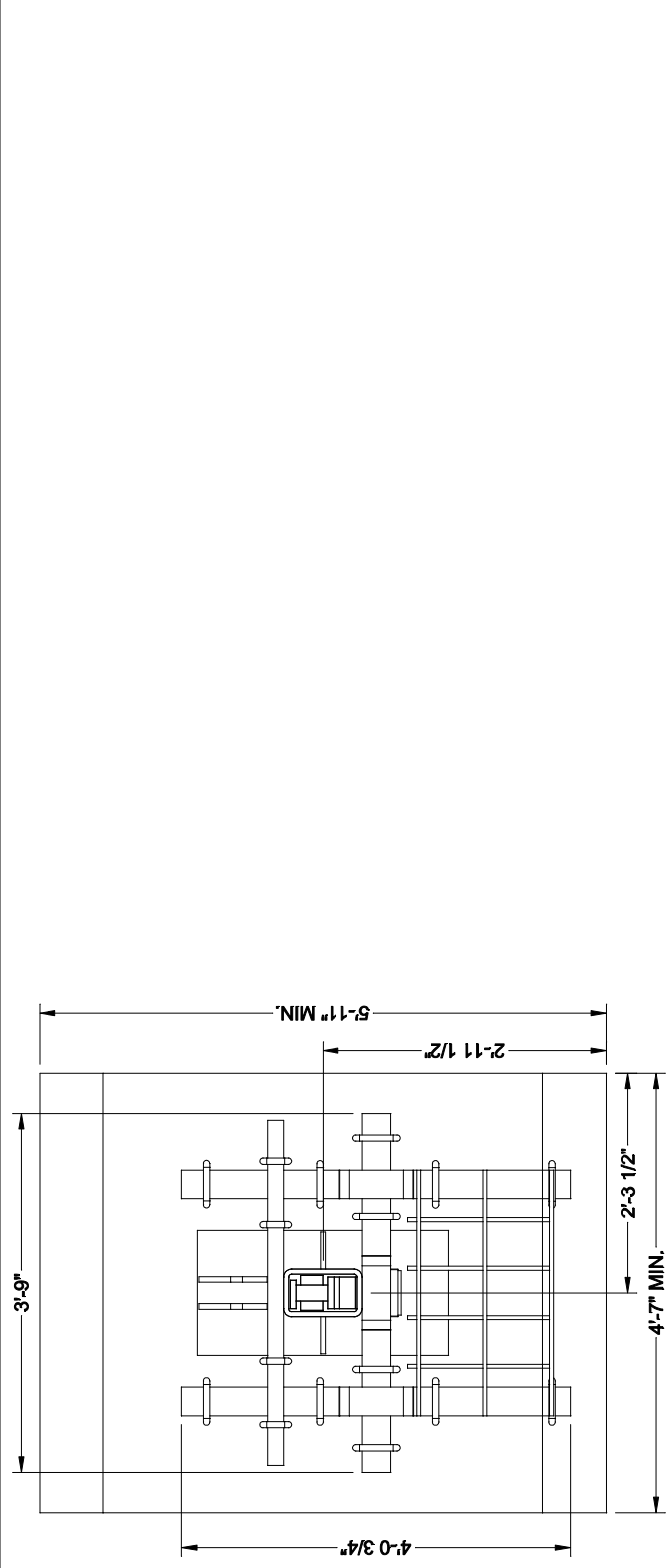


TS-10-001 R0
 DIRECTOR/CAD FILE:
 SHEET NUMBER:
 1 of 2
 DRAWING NUMBER:
 TS-10-001-1

PROJECT:
 TRUCKSTOPPER 10-30 SURFACE MOUNTED BOLLARD
 CONTRACTOR:
 ARCHITECT/ENGINEER:
 REVISION LEVEL:
 R0
 SCALE:
 NONE
 DATE:
 8/7/18
 CHECKED BY:
 BGG
 DATE:
 8/7/18
 DRAWN BY:
 SLK

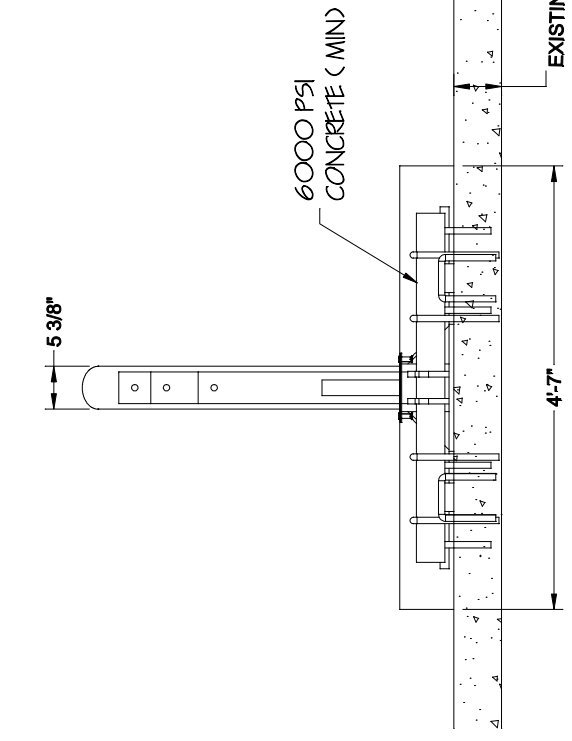
TYMETAL CORP
 www.tymetal.com
 678 WILBUR AVENUE
 GREENWICH, N.Y. 12834
 PH:(900) 328-4283 - FX:(518) 682-8404



3 SIDE VIEW
 TS-100011 Scale: None

2 BACK VIEW
 TS-100011 Scale: None

- NOTES:
 1. COPY AND DESIGN RIGHT BELONG TO SAFETYFLEX.
 2. TESTED TO BSI PAS 68:1010. SIMILAR TO U.S. DOS K-4 AND ASTM F2656-07 M30.
 3. USE 6000 PSI CONCRETE FOR BOLLARD FOOTING.



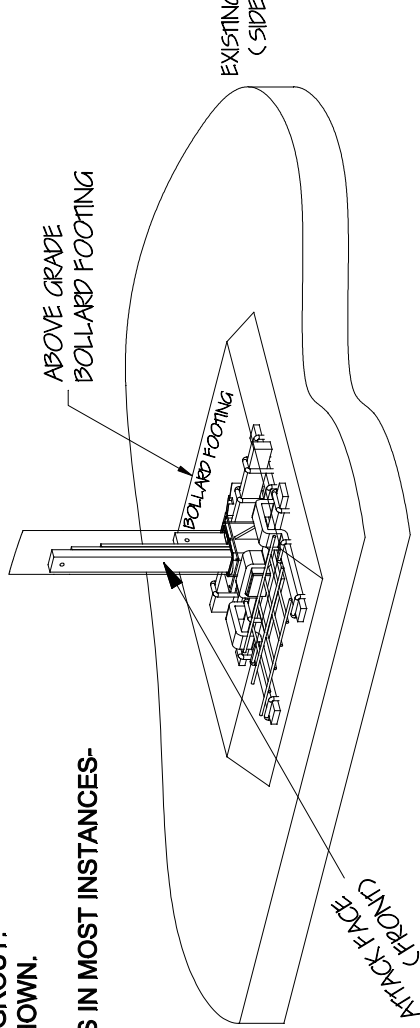
3 SIDE VIEW
 TS-100011 Scale: None

2 BACK VIEW
 TS-100011 Scale: None

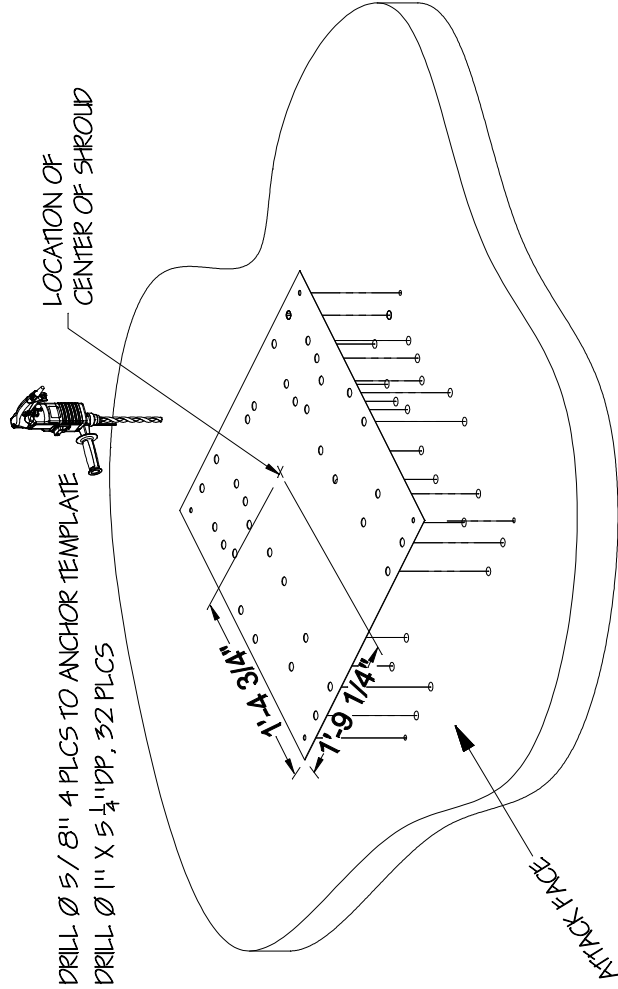
INSTALLATION NOTES:

1. USING DRILL TEMPLATE, DRILL (23) HOLES INTO EXISTING CONCRETE.
2. INSTALL SLIPPER BOX, IMPACT BARS, AND U-BOLTS.
3. GROUT IN U-BOLTS USING NON-SHRINKING 10KSI GROUT.
4. POUR 6000 PSI (MIN) CONCRETE AND FORM AS SHOWN.
5. INSTALL VERTICAL POSTS & SHROUD COVER.

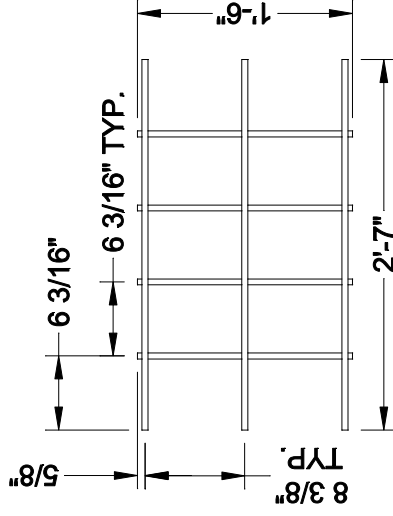
-COMPLETE INSTALLATION TAKES LESS THAN 24 HOURS IN MOST INSTANCES-



1 ISOMETRIC VIEW
TS-100012 Scale: None



2 DRILL JIG ISOMETRIC VIEW
TS-100012 Scale: None



3 REBAR DETAIL
TS-100012 Scale: None
-PROVIDED BY TYMETAL-

DIRECTORY/CAD FILE: TS-10-001 R0
SHEET NUMBER: 2 of 2
DRAWING NUMBER: TS-10-001-2

PROJECT: Truckstopper 10-30 Surface Mounted Bollard
SUBJECT: CONTRACTOR: ARCHITECT/ENGINEER:
DRAWN BY: SLK
DATE: 8/7/18
CHECKED BY: BGG
DATE: 8/7/18
SCALE: None
REVISION LEVEL: R0

TYMETAL CORP
www.tymetal.com
678 WILBUR AVENUE
GREENWICH, N.Y. 12834
PH:(900) 328-4283 - FX:(518) 882-8404

- NOTES:**
1. COPY AND DESIGN RIGHT BELONG TO SAFETYFLEX.
 2. TESTED TO BSI PAS 68:1010. SIMILAR TO U.S. DOS K-4 AND ASTM F2656-07 M30.
 3. USE 6000 PSI CONCRETE FOR BOLLARD FOOTING.
 4. REBAR: (4)PCS OF #4 REBAR @ 18", (3)PCS OF #4 REBAR @ 31" (SUPPLIED BY TYMETAL, WIRE TIED ON SITE BY OTHERS)