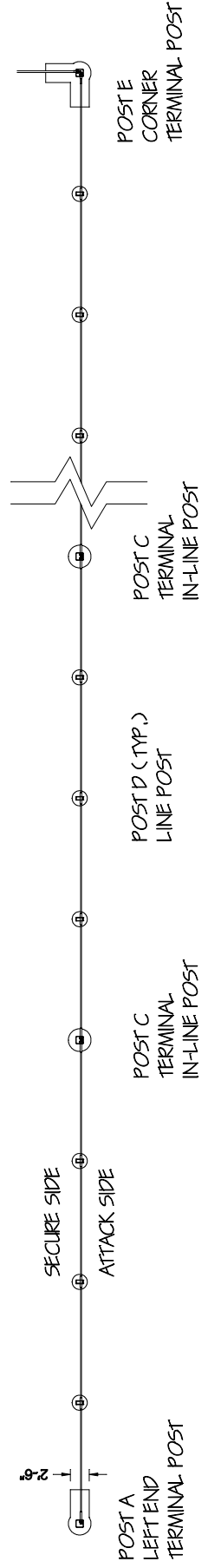
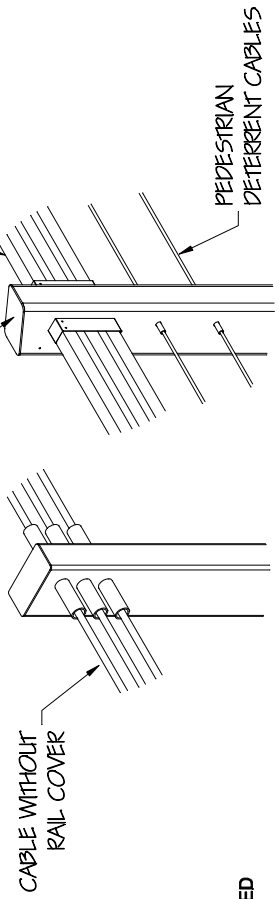


**1 ELEVATION VIEW**  
Scale: None



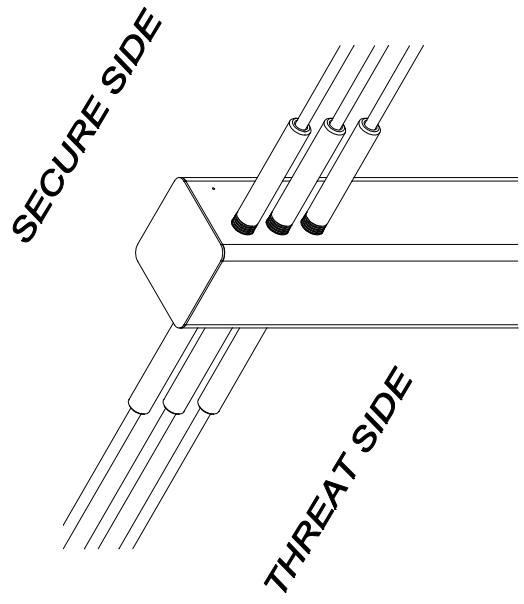
**2 PLAN VIEW**  
Scale: None



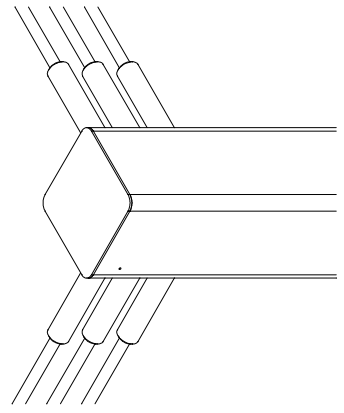
**3 SYSTEM OPTIONS**  
Scale: None

- NOTES:**
1. ALL MATERIALS (POSTS, CABLES AND THREADED STUDS & POST SLEEVES, AND RAILS) WILL BE PROVIDED BY TYMETAL EXCEPT REINFORCEMENT BARS AND CONCRETE. REBAR AVAILABLE AT ADDITIONAL COST.
  2. THE CONCRETE SHALL BE A MINIMUM OF 4,000 PSI. POSTS SHALL BE FILLED WITH CONCRETE (STOP 3" BELOW BOTTOM CABLE HOLE).
  3. ALL REBAR SHALL HAVE A MINIMUM OF 2" CONCRETE COVER, SEE REBAR DRAWINGS.
  4. CABLE SHALL BE 1-1/4" DIAMETER 6X36 DRAWN GALVANIZED EIP, IWRC WIRE ROPE AND PROVIDED BY TYMETAL AS PART OF THE FENCE SYSTEM.
  5. DISTANCE BETWEEN END POST AND TERMINAL IN-LINE POST SHALL BE 64' AND DISTANCE AT AND BETWEEN LINE POST IS 16'. THESE DISTANCES CAN BE ADJUSTED A MAX OF +/-8" TO ALLOW FOR DIFFERING SITE CONDITIONS AND TO ADJUST FOR INSTALLATION WITH A SECONDARY FENCE (ANTI-CLIMB, CHAIN-LINK, ORNAMENTAL, ETC) SYSTEM.
  6. MAXIMUM CABLE ANGLE 45° FROM ANY TERMINAL POST (POST A, B, C AND E).
  7. THE TCF-M50P1 CRASH FENCING SYSTEM TESTED AND PASSED ASTM F2656-15 ACHIEVING AN M50-P1 RATING FOR A 64' RUN (15,000# VEHICLE TRAVELING AT 50 MPH W/ $<1$ M PENETRATION). THE SYSTEM QUOTED MAY HAVE A DIFFERENT NUMBER OF LINEAR FEET AND VARY FROM THE TESTED LAYOUT, BUT CAN BE EXPECTED TO PERFORM IN A SIMILAR MANNER UNDER SIMILAR CONDITIONS.
  8. POST SECTION C-C REPEATABLE AS NEEDED TO ATTAIN DESIRED OVERALL SYSTEM LENGTH.
  9. OVERALL SYSTEM LENGTHS THAT ARE NOT A MULTIPLE OF 64' WILL REQUIRE ONE SECTION (TERMINAL POST TO TERMINAL POST) TO BE CUSTOM ENGINEERED AND WILL HAVE DIFFERENT POST SPACING THAN THE REST OF THE SYSTEM. THE CUSTOM ENGINEERED SECTION OF FENCE WILL NO LONGER BE CRASH RATED, BUT WILL BE CONSIDERED CRASH ENGINEERED.
  10. FOUNDATIONS SHOWN ARE BASED ON AVERAGE SOIL AND SITE CONDITIONS. FOUNDATIONS MUST BE IN ACCORDANCE WITH ALL LOCAL CODES AND SHOULD BE REVIEWED BY A LOCAL ENGINEER.

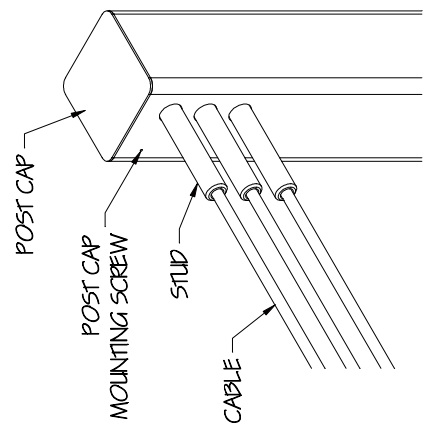
TCF-M50P1-1 ARCHITECT/ENGINEER:	R1 REVISION LEVEL:	SECURITY GATES & PERIMETER SOLUTIONS 678 WILBUR AVENUE GREENWICH, N.Y. 12834 PH: (800) 328-4283 - FX: (518) 692-9404
	As Noted SCALE:	
CONTRACTOR:	DATE: 3/23/21	TCF-M50P1 CRASH RATED FENCE
SUBJECT:	CHECKED BY: JFH	
PROJECT:	DATE: 3/23/21	TCF-M50P1 CRASH RATED FENCE
DIRECTORY/CAD FILE:	DRAWN BY: JDT	
SHEET NUMBER: 1 of 2	DRAWING NUMBER:	



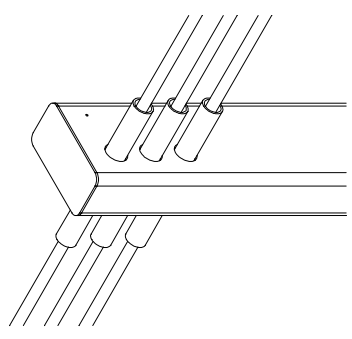
3 POST C  
 TCF-M50P1-2 Scale: None



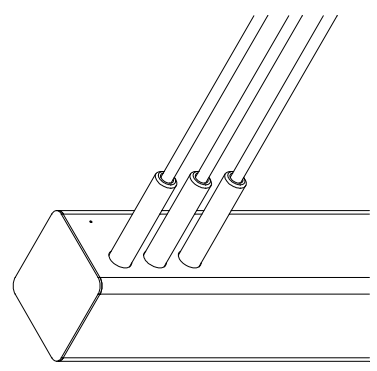
5 POST E  
 TCF-M50P1-2 Scale: None



2 POST B  
 TCF-M50P1-2 Scale: None



4 POST D  
 TCF-M50P1-2 Scale: None



1 POST A  
 TCF-M50P1-2 Scale: None