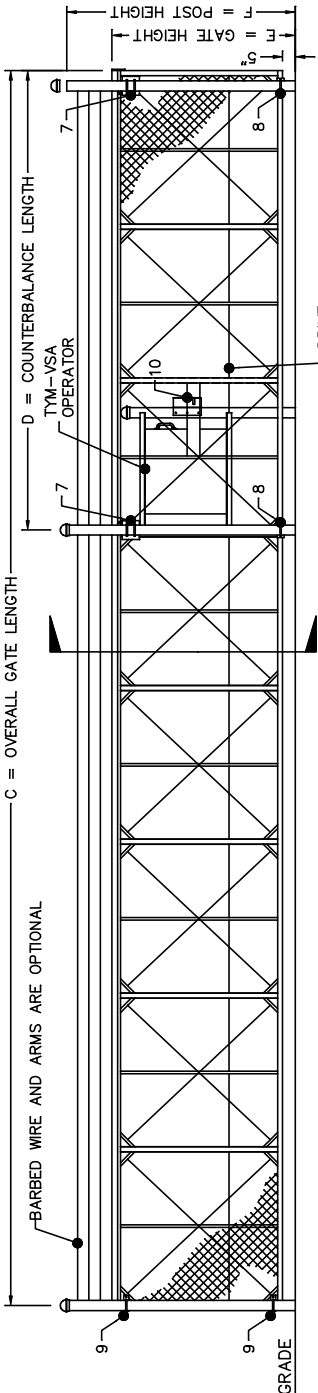


CRITICAL DIMENSION CHART

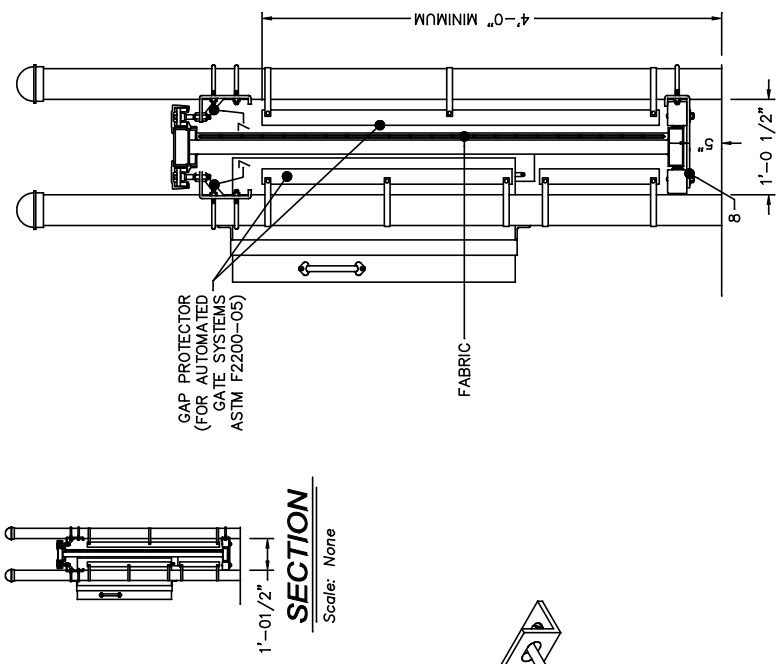
MARK	DESCRIPTION	FORMULA	DIM.
A	CLEAR OPENING	A	-
B	COUNTERBALANCE POST SPACING C/C	(A/2)-11"	-
C	OVERALL GATE LENGTH	A x 1.5	-
D	COUNTERBALANCE LENGTH	A x 0.5	-
E	NOMINAL GATE HEIGHT	E	-
F	POST HEIGHT (W BARB ARMS)	E + 1'-6"	-
G	FABRIC HEIGHT	E - 1'-0"	-



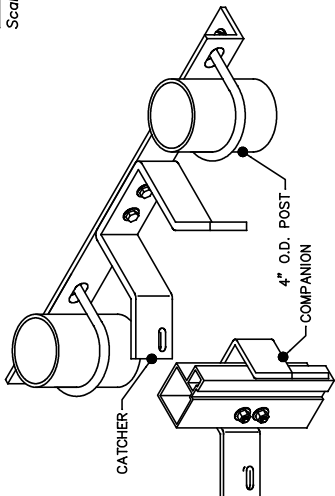
PLAN VIEW
Scale: None



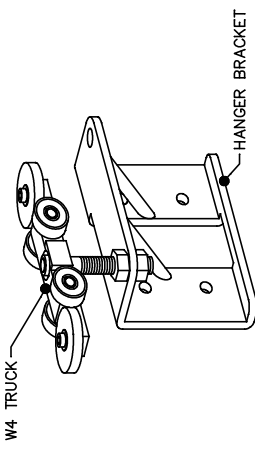
ELEVATION
Scale: None



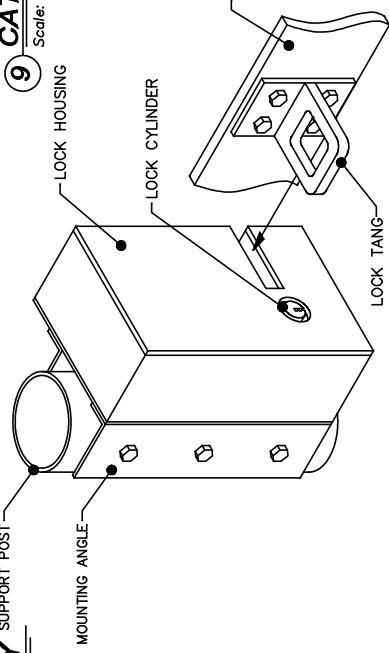
ENLARGED SECTION
Scale: None



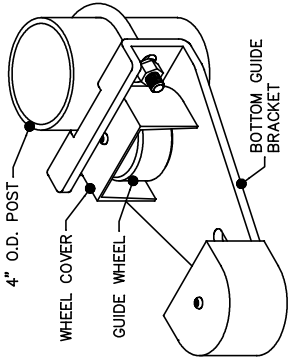
9 CATCH ASSEMBLY
Scale: None



7 GATE HANGER ASSEMBLY
Scale: None



10 1050D ELECTROMECHANICAL LOCK
Scale: None



8 BOTTOM GUIDE
Scale: None

NOTES:
1. FOR COMPLETE INFORMATION ON THE TYM-VS OPERATOR VISIT THE "GATE OPERATORS" SECTION OF THE WEB SITE.
2. ALL FITTINGS STANDARDLY PROVIDED FOR 4" O.D. POSTS. OTHER SIZES AVAILABLE UPON REQUEST.
3. BARB ARMS (FOR BARBED WIRE) OPTIONAL.

NOTE: LOCK REQUIRES SEPARATE 115V POWER SUPPLY.

REV. 1 - 2/16/24

678 WILBER AVENUE
GREENWICH, N.Y. 12834
PH: (800) 328-4283 - (518) 692-9930
www.tymetal.com

TIGER (TYM-VSA SECURITY) GATE SYSTEM
(WITH STRUCTURAL GATE - CHAIN LINK)