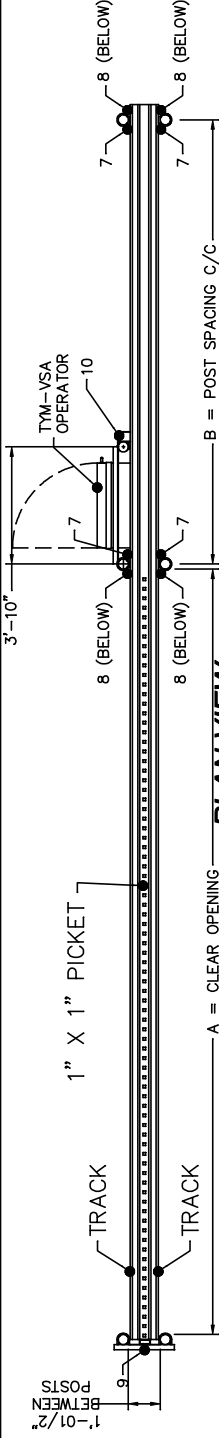
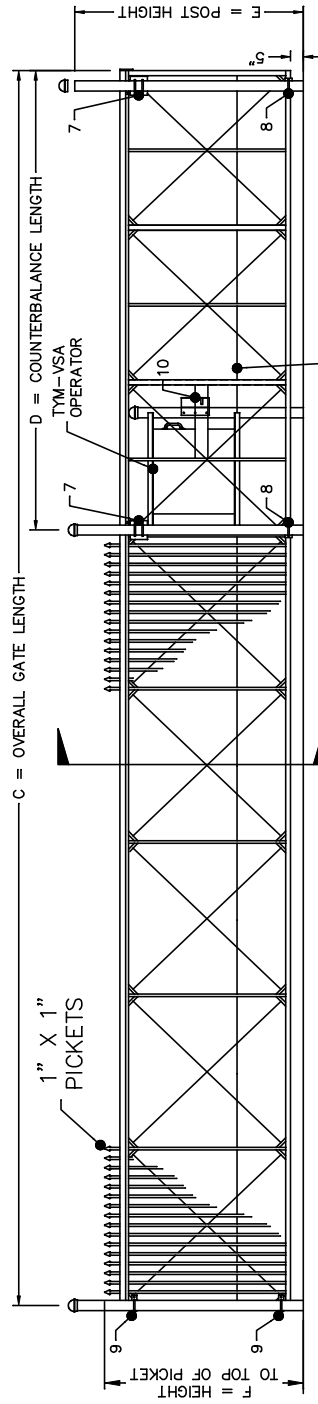


CRITICAL DIMENSION CHART

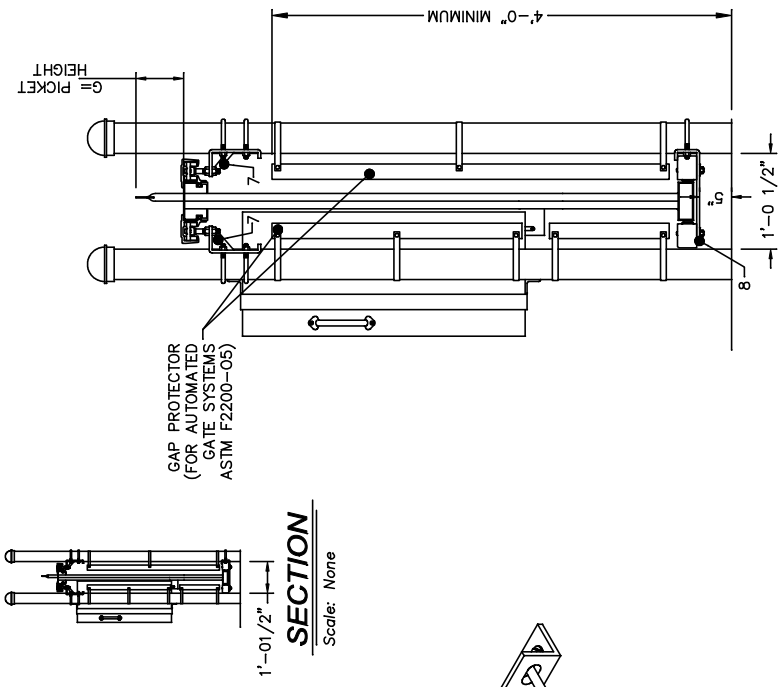
MARK	DESCRIPTION	FORMULA	DIM.
A	CLEAR OPENING	A	-
B	COUNTERBALANCE POST SPACING C/C	(A/2)-11"	-
C	OVERALL GATE LENGTH	A x 1.5	-
D	COUNTERBALANCE LENGTH	A x 0.5	-
E	POST HEIGHT	E = F	-
F	HEIGHT TO TOP OF PICKET	F	-
G	PICKET HEIGHT	G	-



PLAN VIEW
Scale: None

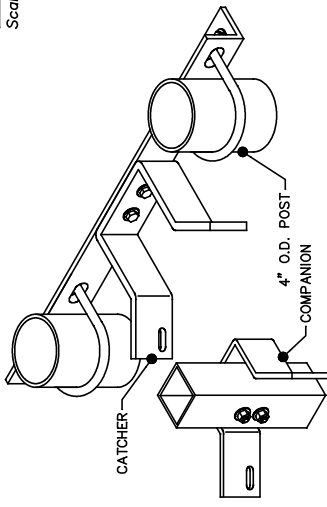


ELEVATION
Scale: None

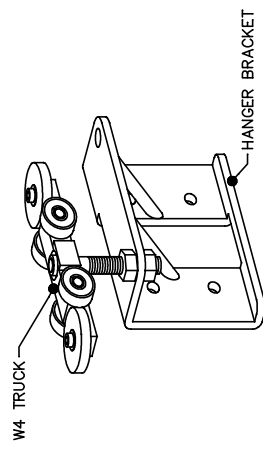


SECTION
Scale: None

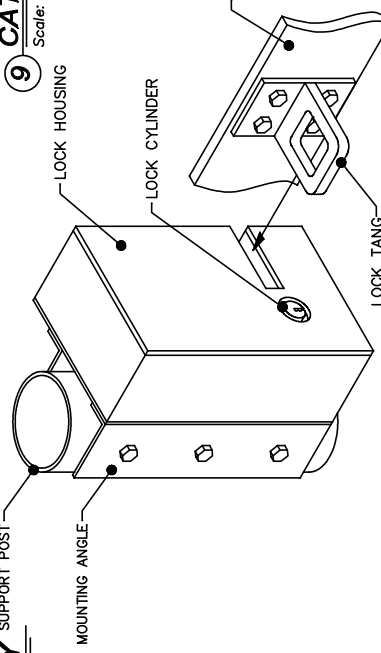
ENLARGED SECTION
Scale: None



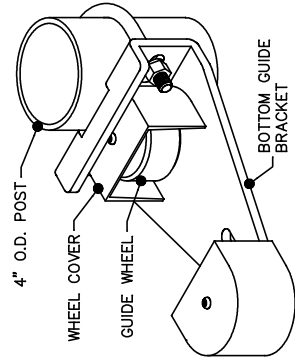
9 CATCH ASSEMBLY
Scale: None



7 GATE HANGER ASSEMBLY
Scale: None



10 1050D ELECTROMECHANICAL LOCK
Scale: None



8 BOTTOM GUIDE
Scale: None

NOTES:
1. FOR COMPLETE INFORMATION ON THE TYM-VSA OPERATOR VISIT THE "GATE OPERATORS" SECTION OF THE WEB SITE.
2. ALL FITTINGS STANDARDLY PROVIDED FOR 4" O.D. POSTS. OTHER SIZES AVAILABLE UPON REQUEST.
3. BARB ARMS (FOR BARBED WIRE) OPTIONAL.

NOTE: LOCK REQUIRES SEPARATE 115V POWER SUPPLY.

REV. 1 - 2/16/24

678 WILBUR AVENUE
GREENWICH, N.Y. 12834
PH: (800) 328-4283 - FX: (518) 692-9404
www.tymetal.com

TIGER (TYM-VSA) SECURITY GATE SYSTEM
(WITH ORNAMENTAL PICKETS - STRUCTURAL GATE)