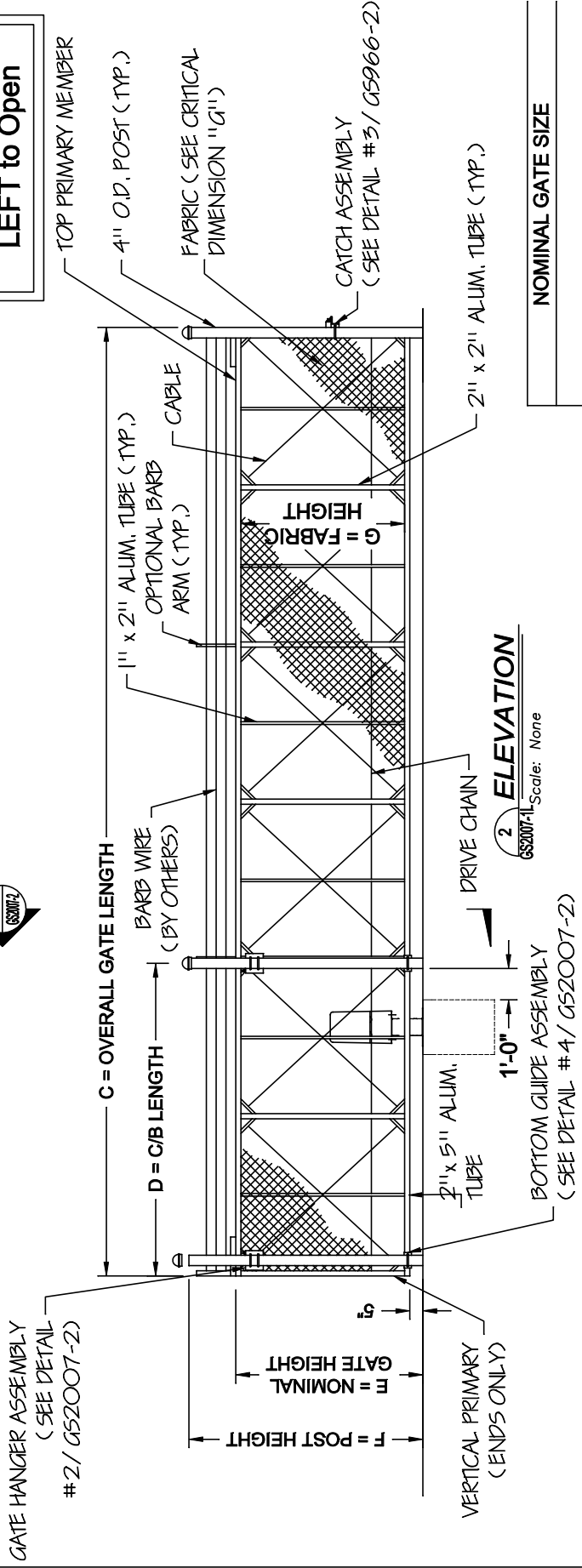


CRITICAL DIMENSION CHART

A	CLEAR OPENING	A
B	COUNTERBALANCE POST SPACING C/C	(A/2) - 11"
C	OVERALL GATE LENGTH	A x 1.5
D	COUNTERBALANCE LENGTH	A x 0.5
E	NOMINAL GATE HEIGHT	E
F	POST HEIGHT	E + 1'-6"
G	FABRIC HEIGHT	E - 1'-0"

- NOTES:**
- ALL FITTINGS PROVIDED FOR 4" O.D. POSTS. OTHER SIZES ARE AVAILABLE UPON REQUEST.
 - GATE ELEVATION IS VIEWED FROM OUTSIDE OF THE SECURE AREA LOOKING IN.
 - BARB ARMS ARE OPTIONAL.
 - THIS GENERIC DRAWING SHOWS A TYPICAL GATE. GATE MANUFACTURED MAY NOT BE EXACTLY AS SHOWN.
 - GATE TO HAVE MILL FINISH.
 - FOR GATES THAT REQUIRE TWO PIECE FABRICATION, A 5" ALUMINUM CHANNEL WILL BE SUBSTITUTED FOR THE 2" x 5" ALUMINUM TUBE.

1 PLAN VIEW
G52007-1L Scale: None



CRITICAL DIMENSION CHART

A	CLEAR OPENING	A
B	COUNTERBALANCE POST SPACING C/C	(A/2) - 11"
C	OVERALL GATE LENGTH	A x 1.5
D	COUNTERBALANCE LENGTH	A x 0.5
E	NOMINAL GATE HEIGHT	E
F	POST HEIGHT	E + 1'-6"
G	FABRIC HEIGHT	E - 1'-0"

- NOTES:**
1. ALL FITTINGS PROVIDED FOR 4" O.D. POSTS. OTHER SIZES ARE AVAILABLE UPON REQUEST.
 2. GATE ELEVATION IS VIEWED FROM OUTSIDE OF THE SECURE AREA LOOKING IN.
 3. BARB ARMS ARE OPTIONAL.
 4. THIS GENERIC DRAWING SHOWS A TYPICAL GATE. GATE MANUFACTURED MAY NOT BE EXACTLY AS SHOWN.
 5. GATE TO HAVE MILL FINISH.
 6. FOR GATES THAT REQUIRE TWO PIECE FABRICATION, A 5" ALUMINUM CHANNEL WILL BE SUBSTITUTED FOR THE 2" x 5" ALUMINUM TUBE.

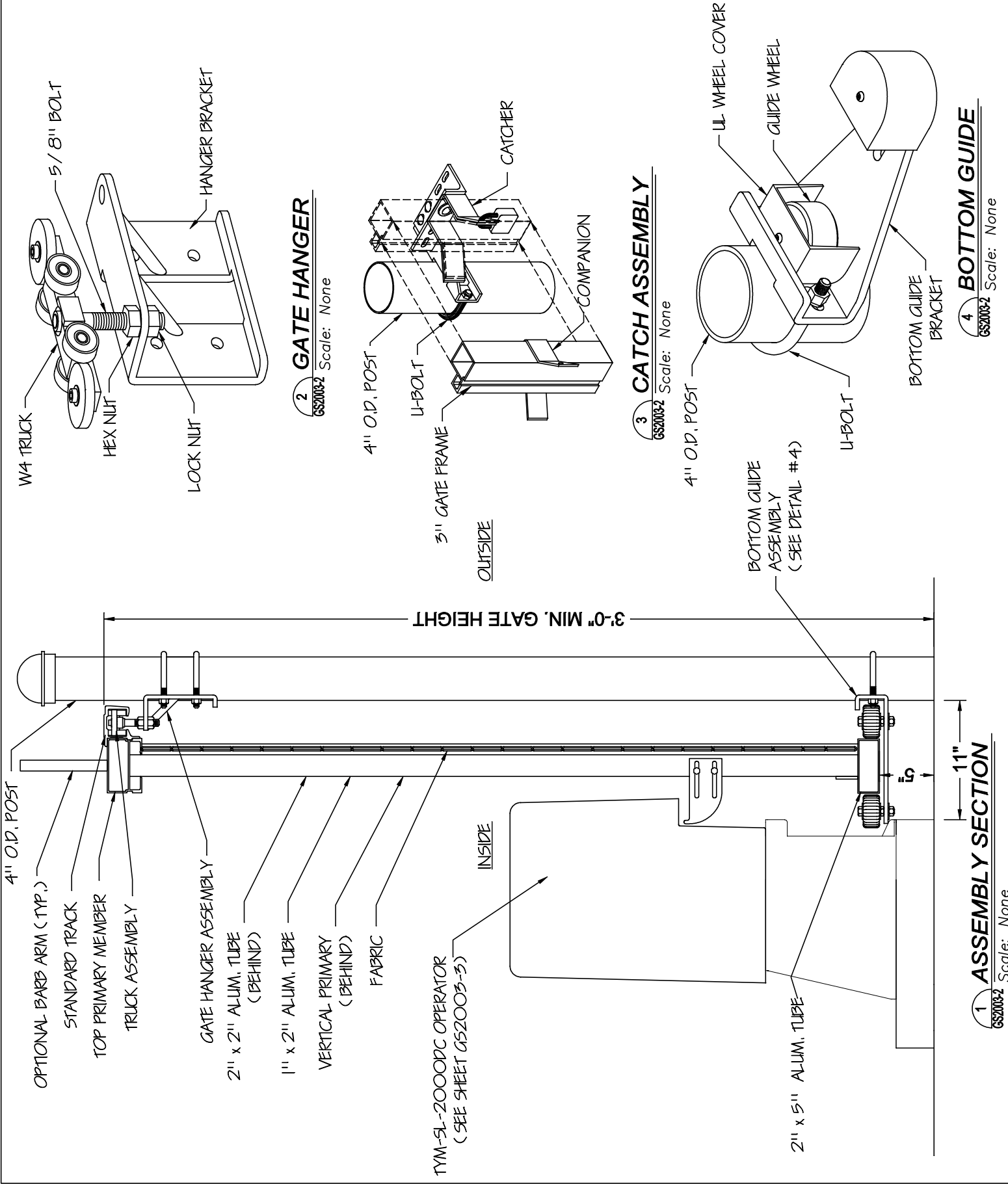
NOMINAL GATE SIZE

GS2007-2
DRAWING NUMBER:
2 of 3
SHEET NUMBER:
TYPED AND CHECKED BY: BGG
DATE: 12/30/22
DIRECTOR/CAD FILE:

PROJECT:
SUBJECT: Heavy Duty Cantilever Slide Gate Details
CONTRACTOR:
ARCHITECT/ENGINEER:

DRAWN BY: JAB
DATE: 12/30/22
CHECKED BY: BGG
DATE: 12/30/22
SCALE:
As Noted
REVISION LEVEL:
R0

Tymetal
SECURITY GATES & PERIMETER SOLUTIONS
678 WILBUR AVENUE GREENWICH, N.Y. 12834
PH: (800) 328-4283 - FX: (518) 692-9404



4" O.D. POST

OPTIONAL BARB ARM (TYP.)
STANDARD TRACK
TOP PRIMARY MEMBER
TRUCK ASSEMBLY

GATE HANGER ASSEMBLY
2" x 2" ALUM. TUBE (BEHIND)
1" x 2" ALUM. TUBE
VERTICAL PRIMARY (BEHIND)
FABRIC

TYM-5L-2000DC OPERATOR
(SEE SHEET GS2003-5)

INSIDE

3'-0" MIN. GATE HEIGHT

11"
1 ASSEMBLY SECTION
GS2003-2 Scale: None

2 GATE HANGER
GS2003-2 Scale: None

4" O.D. POST
U-BOLT
3" GATE FRAME
COMPANION
CATCHER
OUTSIDE

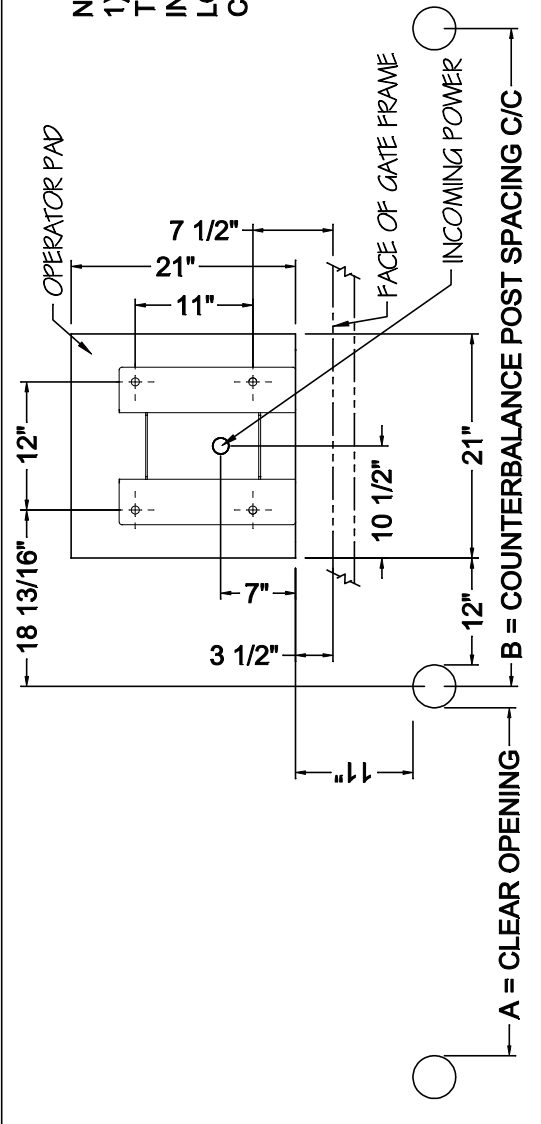
3 CATCH ASSEMBLY
GS2003-2 Scale: None

4" O.D. POST
U-WHEEL COVER
GUIDE WHEEL
BOTTOM GUIDE BRACKET
U-BOLT
BOTTOM GUIDE ASSEMBLY (SEE DETAIL #4)

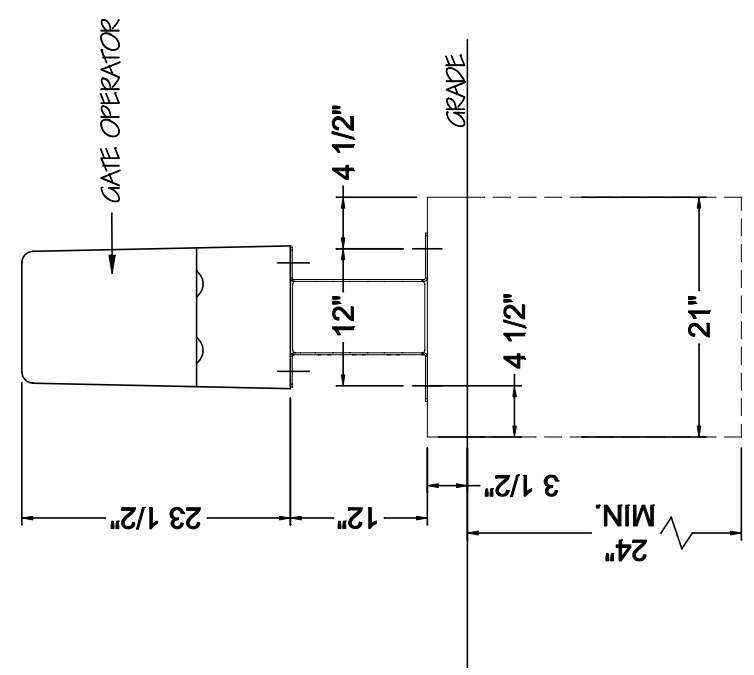
4 BOTTOM GUIDE
GS2003-2 Scale: None

GS2007-3 DRAWING NUMBER:	ARCHITECT/ENGINEER:	R0 REVISION LEVEL:	 SECURITY GATES & PERIMETER SOLUTIONS 678 WILBUR AVENUE GREENWICH, N.Y. 12834 PH: (800) 328-4283 - FX: (518) 692-9404		
				CONTRACTOR:	SCALE:
				SUBJECT:	DATE:
SHEET NUMBER:	TYM-SL-2000DC Operator Details	DATE: 12/30/22	DRAWN BY:		
TYM-SL-2000 DC Operator Details (GS2007-3)	PROJECT:	DATE: 12/30/22	CHECKED BY:		
DIRECTOR/CAD FILE:	PROJECT:	DATE: 12/30/22	DRAWN BY:		

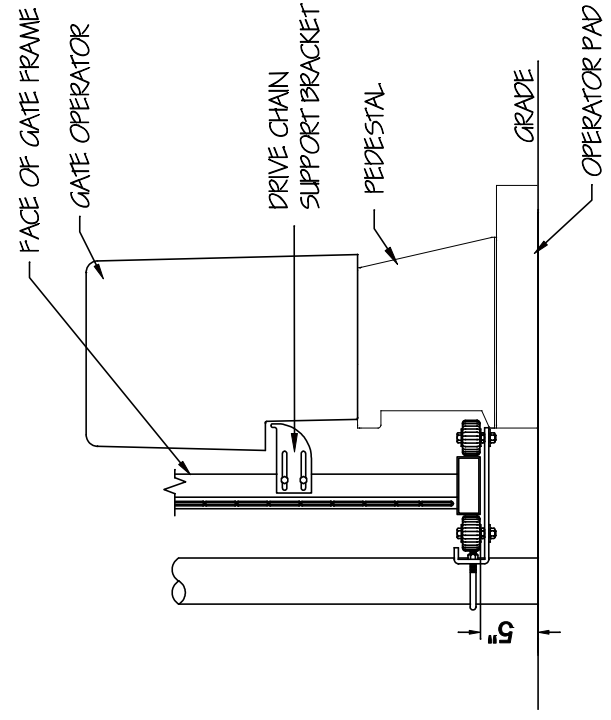
NOTES:
 1) OPERATOR PAD DEPTH TO BE MINIMUM OF 24" AND IN ACCORDANCE WITH ALL LOCAL CODES AND SOIL CONDITIONS.



1 OPERATOR PAD LAYOUT PLAN
 Scale: None



2 OPERATOR FRONT ELEVATION
 Scale: None



3 OPERATOR SIDE ELEVATION
 Scale: None