

CRITICAL DIMENSION CHART

	A	B	C	D	E	F	G	
A CLEAR OPENING	A							
B POST HEIGHT		B *						
C NOMINAL GATE HEIGHT			C **					
D OVERALL GATE LENGTH (16" MAX)				D (16" MAX)				
E PICKET HEIGHT					E			6" or as spec'd
F ARM LENGTH (6" MAX.)						F		D/2
G POST SPACING (BETWEEN)							G	A + (10-1/2")
SWING IN/OUT								SEE NOTE 7

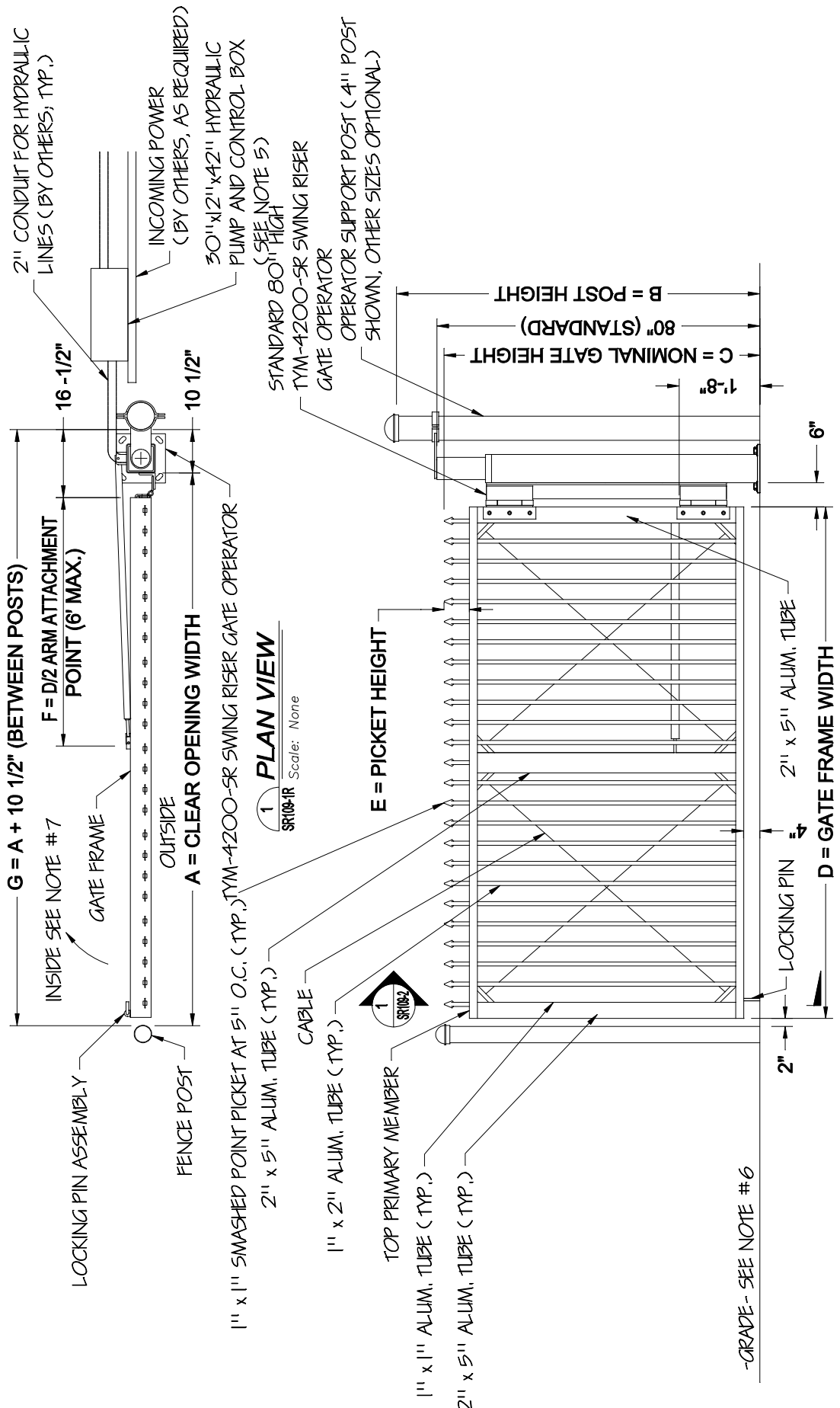
2 ELEVATION
 Scale: None

OUTSIDE LOOKING IN

* B: STANDARD POST HEIGHT IS 80", CONTACT MANUFACTURER REGARDING HEIGHTS GREATER THAN 80".

** C: STANDARD HEIGHTS TO 8', CONTACT MANUFACTURER FOR HEIGHTS ABOVE 8'.

- NOTES:
- OPERATOR SUPPORT POST SIZE WILL VARY DEPENDING ON THE CLEAR OPENING WIDTH.
 - BARB ARMS ARE OPTIONAL.
 - GATE ELEVATION IS VIEWED FROM THE OUTSIDE OF THE SECURE AREA LOOKING IN.
 - CONTACT MANUFACTURER FOR ADDITIONAL DETAIL.
 - UP TO 50' FROM CONTROL BOX TO POST.
 - SET OPERATORS AT GRADE "O".
 - STANDARD OPERATION FOR GATE SWING IS INSIDE. OUTSIDE SWING IS OPTIONAL.



CRITICAL DIMENSION CHART

	A	B	C	D	E	F	G	
CLEAR OPENING	A							
POST HEIGHT		B *						
NOMINAL GATE HEIGHT			C **					
OVERALL GATE LENGTH (16' MAX)				D (16' MAX)				
PICKET HEIGHT					E			6" or as spec'd
ARM LENGTH (6' MAX.)						F		D/2
POST SPACING (BETWEEN)							G	A + (10-1/2")
SWING IN/OUT								SEE NOTE 7

2 ELEVATION
 Scale: None

OUTSIDE LOOKING IN

- * B: STANDARD POST HEIGHT IS 80", CONTACT MANUFACTURER REGARDING HEIGHTS GREATER THAN 80".
- ** C: STANDARD HEIGHTS TO 8', CONTACT MANUFACTURER FOR HEIGHTS ABOVE 8'.

- NOTES:**
- OPERATOR SUPPORT POST SIZE WILL VARY DEPENDING ON THE CLEAR OPENING WIDTH.
 - BARB ARMS ARE OPTIONAL.
 - GATE ELEVATION IS VIEWED FROM THE OUTSIDE OF THE SECURE AREA LOOKING IN.
 - CONTACT MANUFACTURER FOR ADDITIONAL DETAIL.
 - UP TO 50' FROM CONTROL BOX TO POST.
 - SET OPERATORS AT GRADE "0".
 - STANDARD OPERATION FOR GATE SWING IS INSIDE. OUTSIDE SWING IS OPTIONAL.

SR109-2

ARCHITECT/ENGINEER:

R3-WEB
REVISION LEVEL:

As Noted

SCALE:

DATE: 5/3/22

CHECKED BY: BGG

DATE: 1/14/26

DRAWN BY: NDB

678 WILBUR AVENUE GREENWICH, N.Y. 12834
PH: (800) 328-4283 - FX: (918) 692-9404



DRAWING NUMBER:

2 of 3

Heavy Duty Swing Gate Washer Plate Detail

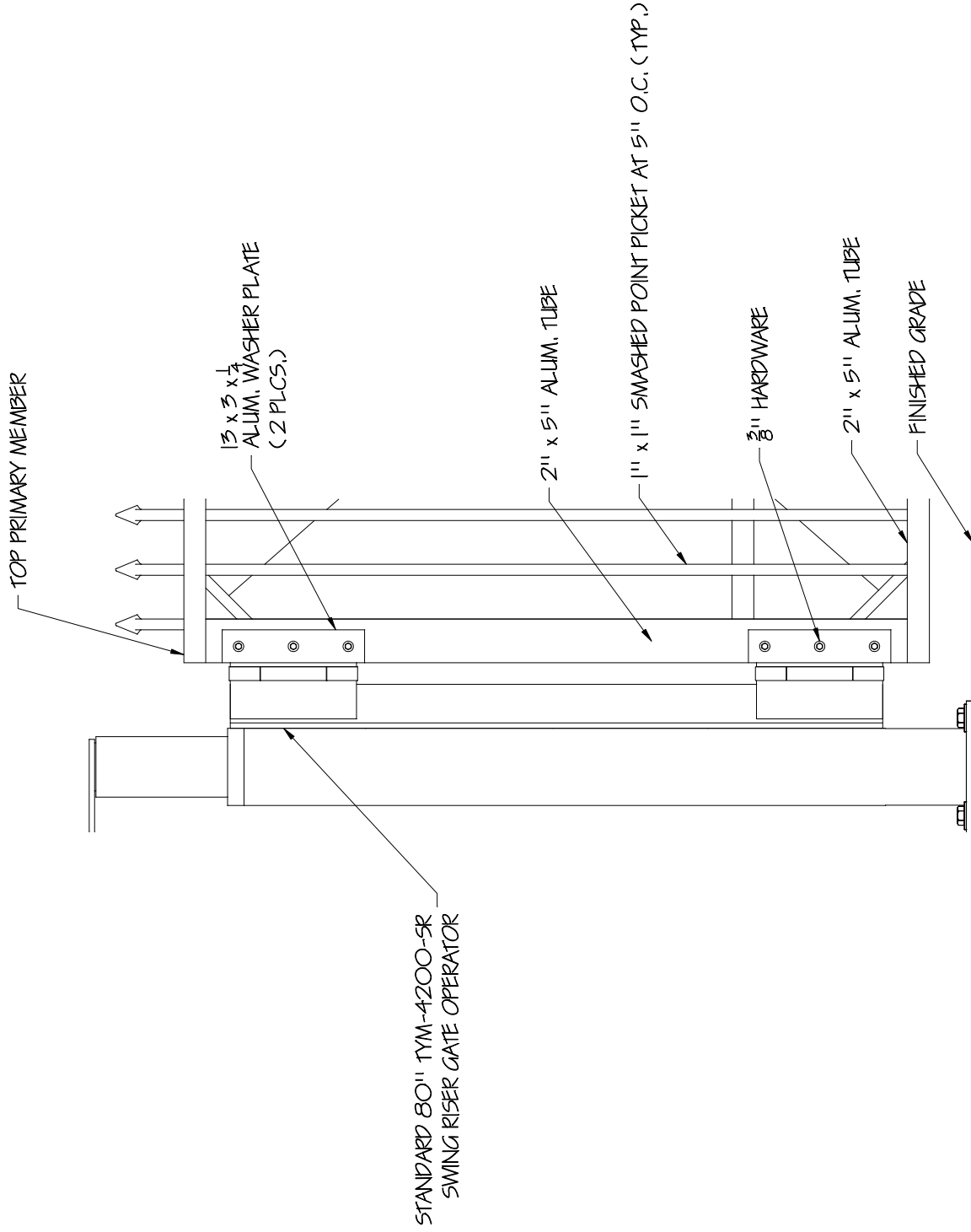
CONTRACTOR:

SUBJECT:

PROJECT:

SHEET NUMBER:

Operator Swing Riser SR100
DIRECTORY\CAD FILE:



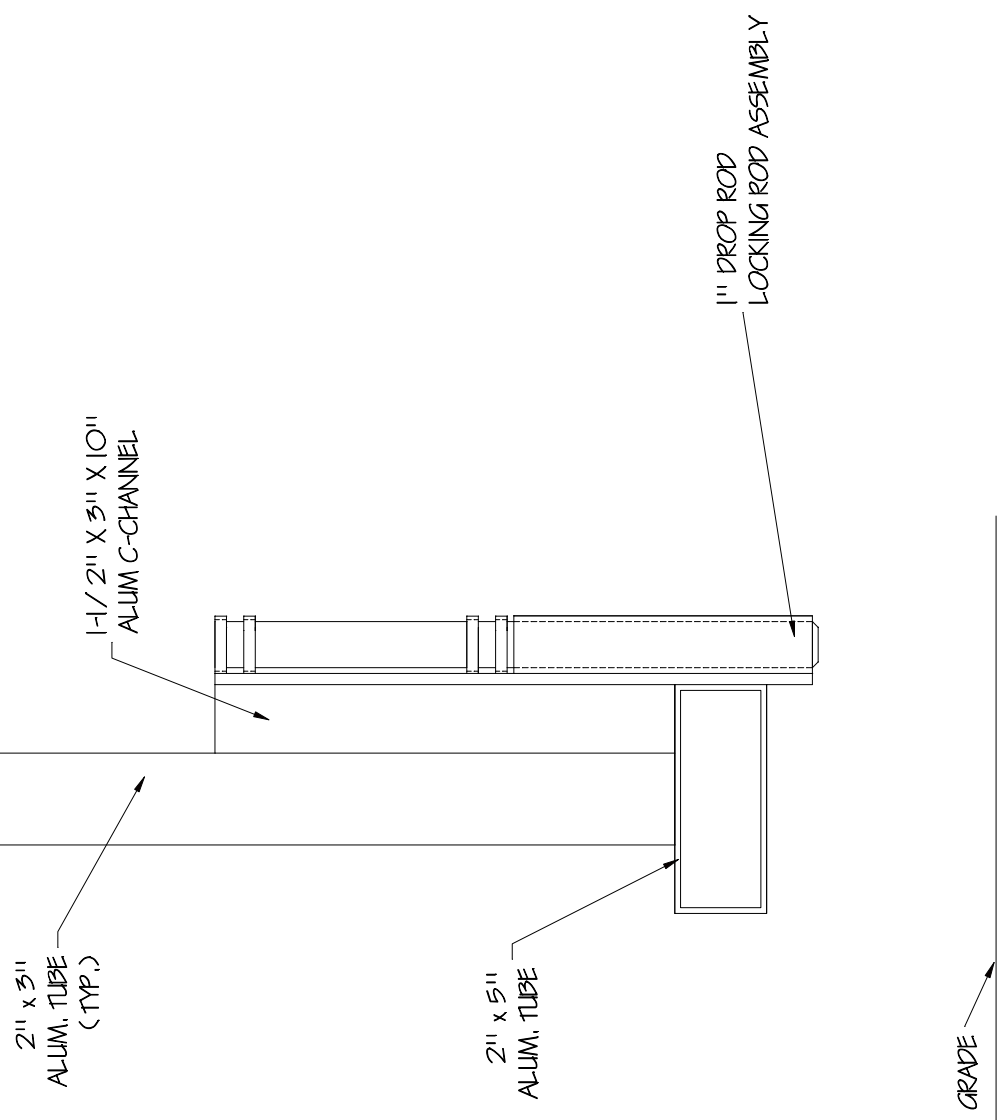
1 WASHER PLATE DETAIL

SR109-2 Scale: None : LH GATE OUTSIDE LOOKING IN:

SR109-3
 DRAWING NUMBER:
 3 of 3
 SHEET NUMBER:
 Operator Swing Riser SR100
 DIRECTORY\CAD FILE:

ARCHITECT/ENGINEER:	R23-WEB REVISION LEVEL:
CONTRACTOR:	As Noted SCALE:
SUBJECT: Heavy Duty Swing Gate Drop Rod Detail	DATE: 5/3/22
PROJECT:	CHECKED BY: BGG
	DATE: 1/14/26
	DRAWN BY: NBD/DK

TYMETAL
 SECURITY GATES & PERIMETER SOLUTIONS
 678 WILBUR AVENUE GREENWICH, N.Y. 12834
 PH: (800) 328-4283 - FX: (518) 692-9404



1 DROP ROD DETAIL
 SR109-3 Scale: None

