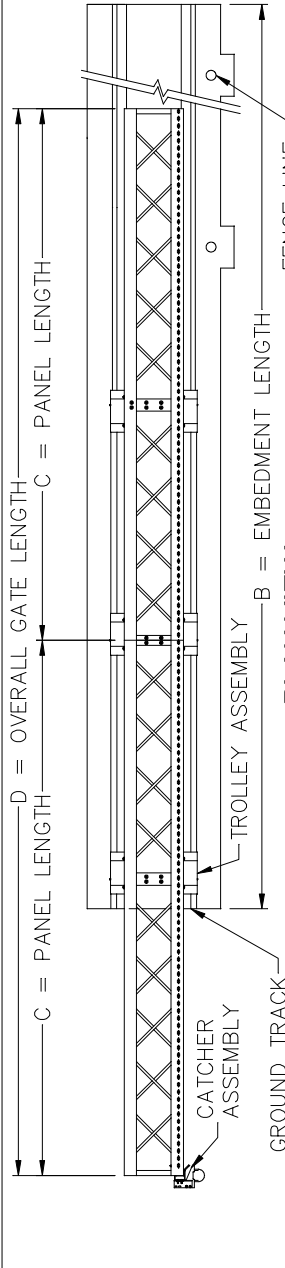
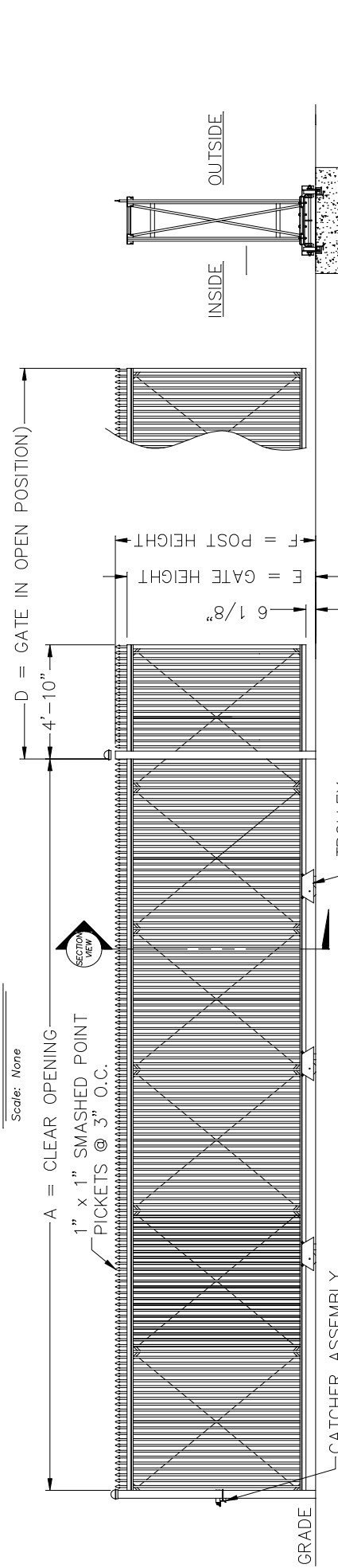


CRITICAL DIMENSION CHART	
A	CLEAR OPENING
B	EMBEDMENT LENGTH (2 x A) - 13'-0"
C	PANEL LENGTH VARIES - SEE NOTE #2
D	OVERALL GATE LENGTH A + 5'-0"
E	GATE HEIGHT
F	POST HEIGHT
G	PICKET HEIGHT

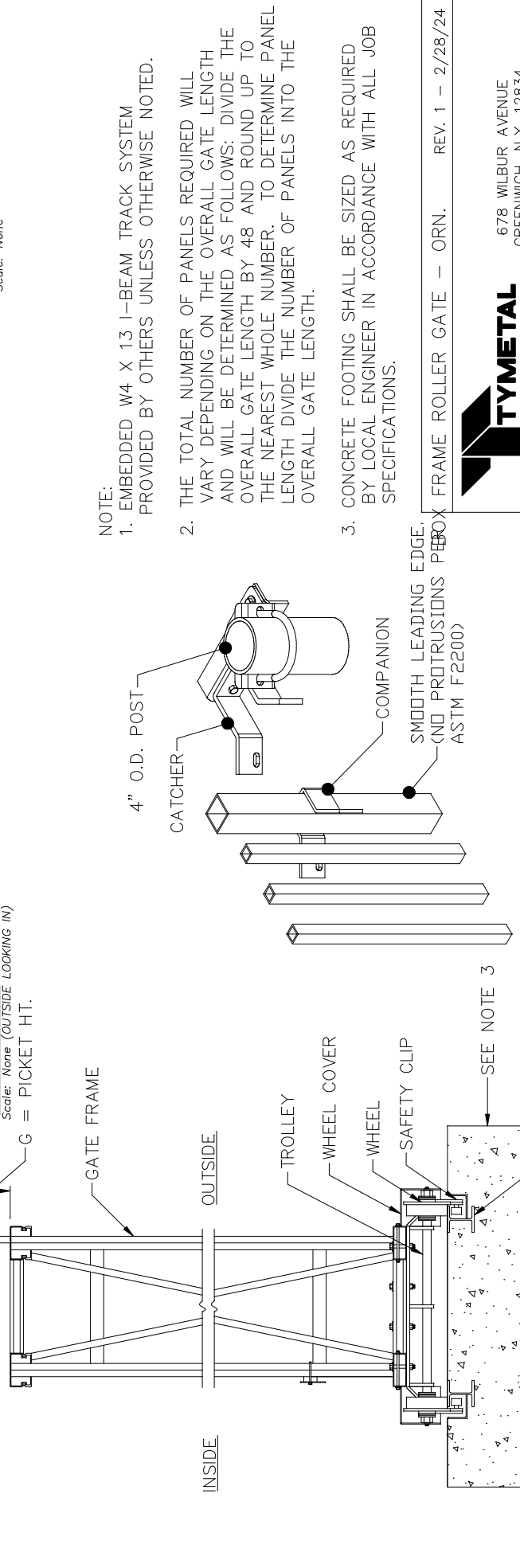


PLAN VIEW
Scale: None



ELEVATION
Scale: None (OUTSIDE LOOKING IN)
G = PICKET HT.

SECTION VIEW
Scale: None



ENLARGED SECTION
Scale: None

NOTE:

- EMBEDDED W4 X 13 I-BEAM TRACK SYSTEM PROVIDED BY OTHERS UNLESS OTHERWISE NOTED.
- THE TOTAL NUMBER OF PANELS REQUIRED WILL VARY DEPENDING ON THE OVERALL GATE LENGTH AND WILL BE DETERMINED AS FOLLOWS: DIVIDE THE OVERALL GATE LENGTH BY 48 AND ROUND UP TO THE NEAREST WHOLE NUMBER. TO DETERMINE PANEL LENGTH DIVIDE THE NUMBER OF PANELS INTO THE OVERALL GATE LENGTH.
- CONCRETE FOOTING SHALL BE SIZED AS REQUIRED BY LOCAL ENGINEER IN ACCORDANCE WITH ALL JOB SPECIFICATIONS.

SMOOTH LEADING EDGE.
(NO PROTRUSIONS PER BOX
ASTM F2200)

FRAME ROLLER GATE - ORN. REV. 1 - 2/28/24



678 WILBUR AVENUE
GREENWICH, N.Y. 12834
PH: (800) 328-4283 - (518) 692-9930
www.tymetal.com

CATCHER ASSEMBLY
Scale: None

ENLARGED SECTION
Scale: None