

NOMINAL GATE SIZE

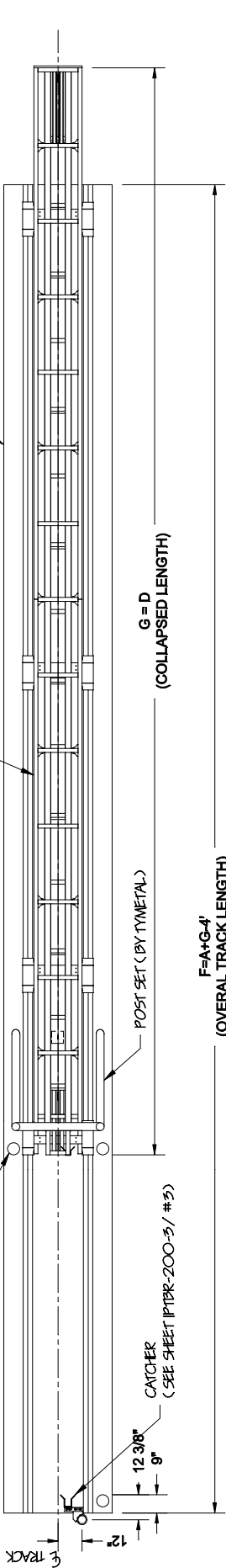
CRITICAL DIMENSION CHART	
A	CLEAR OPENING * A (83' MAX.)
B	OVERALL GATE LENGTH (D+E) - 5'-4"
C	NOMINAL GATE HEIGHT ** C
D	INNER PANEL LENGTH (A+13)/2
E	OUTER PANEL LENGTH D - 1'
F	OVERALL TRACK LENGTH (A+G) - 4'
G	COLLAPSED LENGTH D
H	POST HEIGHT C + 1'-8"

* CONTACT MANUFACTURER REGARDING SIZES GREATER THAN THOSE STATED.
 ** STANDARD HEIGHTS ARE 8' AND 10'. CONTACT MANUFACTURER REGARDING HEIGHTS OTHER THAN THOSE STATED.

- NOTE:**
- CONCRETE FOOTING SHALL BE SIZED AS REQUIRED BY A LOCAL ENGINEER IN ACCORDANCE WITH ALL JOB SPECIFICATIONS.
 - HEAT CABLE SUGGESTED FOR INSTALLATIONS IN AREAS WHERE ICING MAY OCCUR.

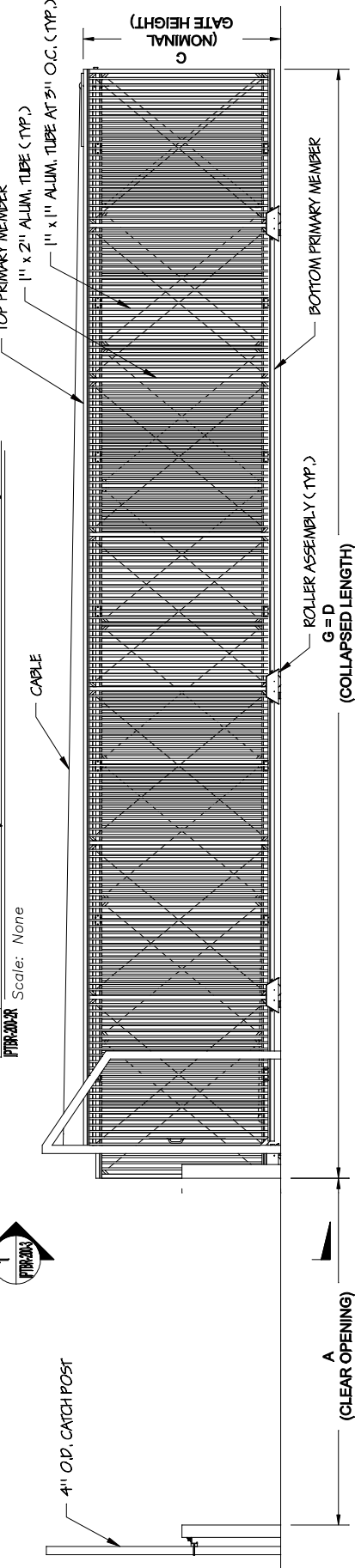
US Patent No.: US 8,181,689 B2

6" DIA. CONCRETE
FILLED BOLLARDS
(3) BY OTHERS



1 PLAN VIEW (GATE OPEN POSITION)

IPTBR-200-R3



2 ELEVATION (GATE OPEN POSITION)

IPTBR-200-R3

NOMINAL GATE SIZE	
-------------------	--

CRITICAL DIMENSION CHART		
A	CLEAR OPENING	* A (83' MAX.)
B	OVERALL GATE LENGTH	(D+E) - 5'-4"
C	NOMINAL GATE HEIGHT	** C
D	INNER PANEL LENGTH	(A+13')/2
E	OUTER PANEL LENGTH	D - 1'
F	OVERALL TRACK LENGTH	(A+G) - 4'
G	COLLAPSED LENGTH	D
H	POST HEIGHT	C + 1'-8"

* CONTACT MANUFACTURER REGARDING SIZES GREATER THAN THOSE STATED.
 ** STANDARD HEIGHTS ARE 8' AND 10', CONTACT MANUFACTURER REGARDING HEIGHTS OTHER THAN THOSE STATED.

NOTES:
 1. CONCRETE FOOTING SHALL BE SIZED AS REQUIRED BY A LOCAL ENGINEER IN ACCORDANCE WITH ALL JOB SPECIFICATIONS.

IPTBR-200-2R

DRAWING NUMBER:

2 of 4

IPTBR-200 R3

DIRECTORY/CAD FILE:

Right to Open Internal Picket T Escoping Box Frame Roller Gate

SUBJECT:

PROJECT:

ARCHITECT/ENGINEER:

CONTRACTOR:

R3

REVISION LEVEL:

As Noted

SCALE:

DATE: 3/27/15

CHECKED BY: BGG

DATE: 3/27/15

DRAWN BY: MNS

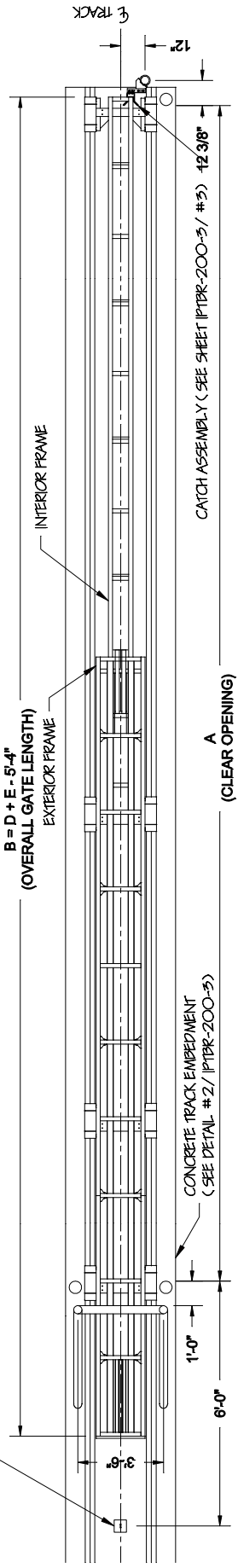
678 WILBUR AVENUE
 GREENWICH, N.Y. 12834
 PH: (800) 328-4283 - FX: (518) 692-9404

www.tymetal.com

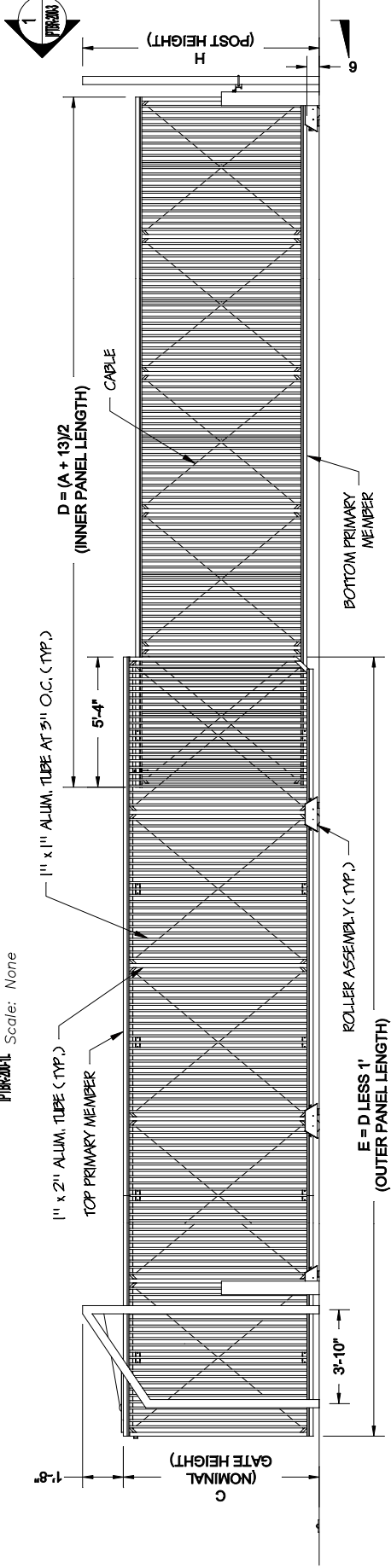
TYPMETAL CORP.

www.tymetal.com

US Patent No.: US 8,181,689 B2



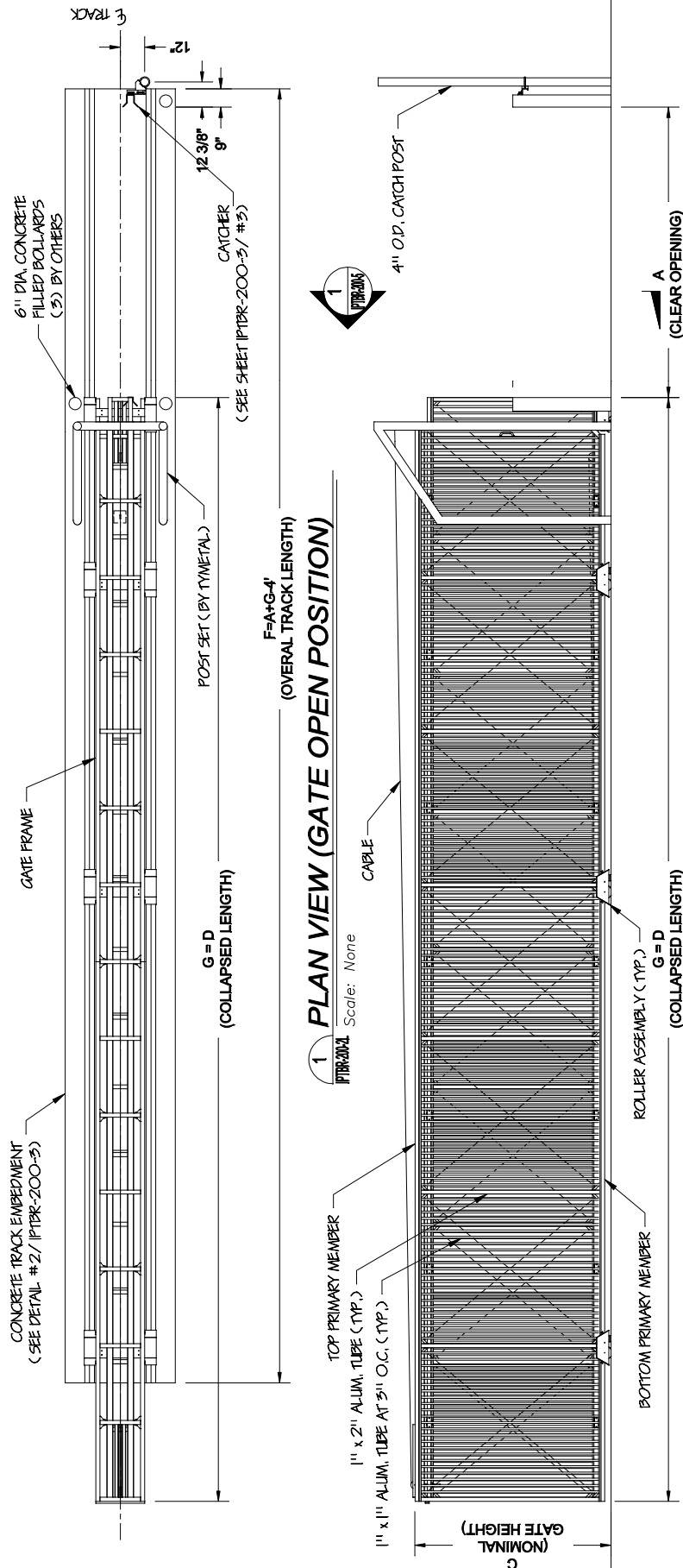
1 PLAN VIEW (GATE CLOSED POSITION)
 IPTBR-200-1L Scale: None



2 ELEVATION (GATE CLOSED POSITION)
 IPTBR-200-1L Scale: None

- NOTE:
- CONCRETE FOOTING SHALL BE SIZED AS REQUIRED BY A LOCAL ENGINEER IN ACCORDANCE WITH ALL JOB SPECIFICATIONS.
 - HEAT CABLE SUGGESTED FOR INSTALLATIONS IN AREAS WHERE ICING MAY OCCUR.

US Patent No.: US 8,181,689 B2



1 PLAN VIEW (GATE OPEN POSITION)
Scale: None

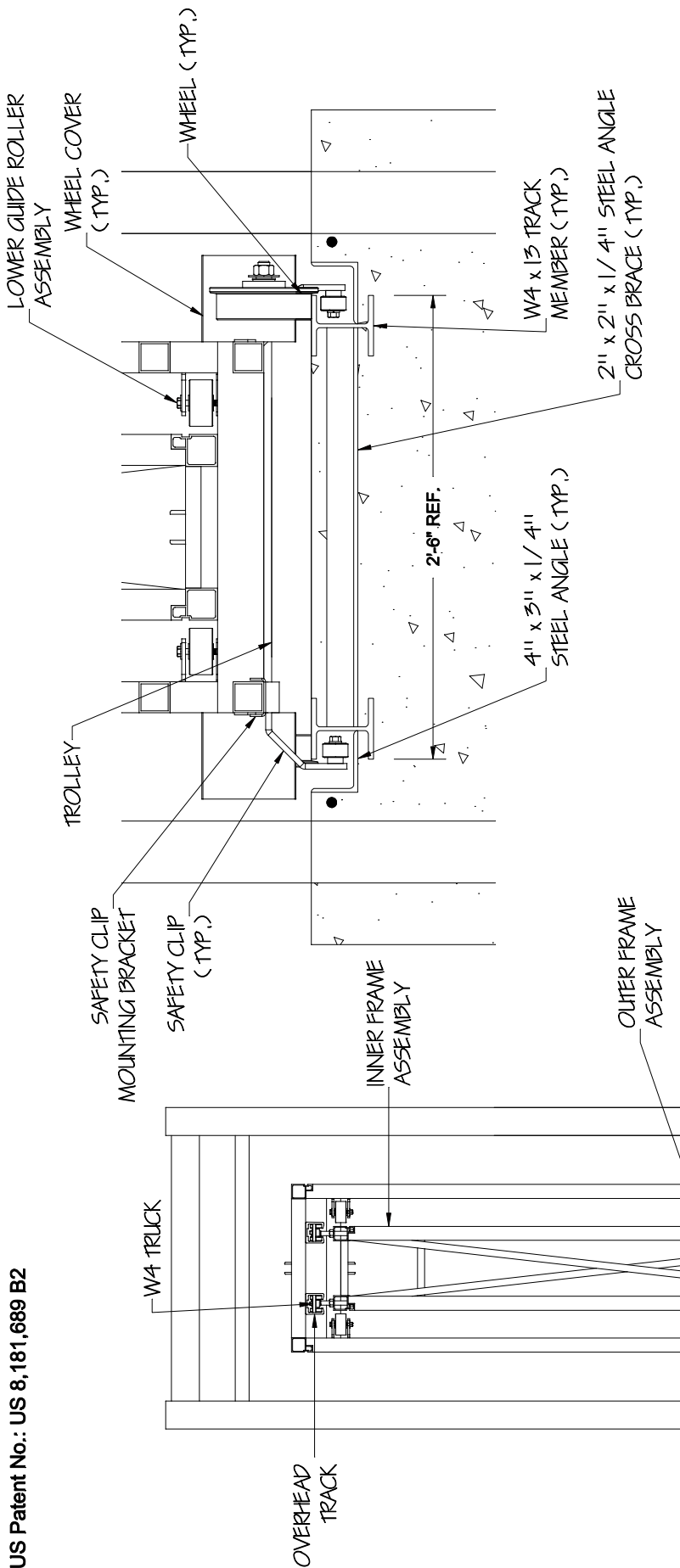
2 ELEVATION (GATE OPEN POSITION)
Scale: None

NOTES:
1. CONCRETE FOOTING SHALL BE SIZED AS REQUIRED BY A LOCAL ENGINEER IN ACCORDANCE WITH ALL JOB SPECIFICATIONS.

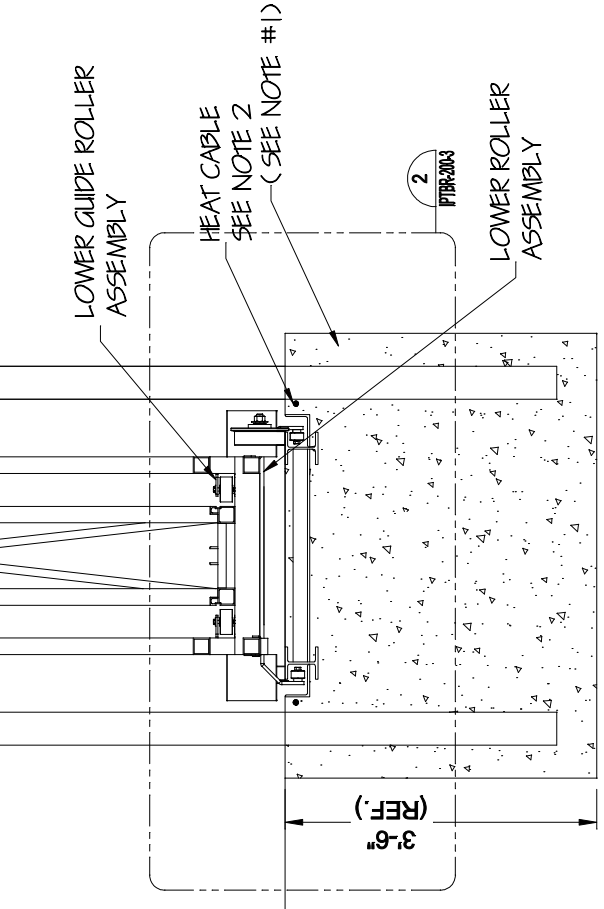
PROJECT:	INTERNAL PICKET MANUAL TELESCOPING BOX FRAME ROLLER GATE (US Patent No. 8,181,689 B2) Details
SUBJECT:	
CONTRACTOR:	
ARCHITECT/ENGINEER:	

DRAWN BY:	MNS
DATE:	3/27/15
CHECKED BY:	BGG
DATE:	3/27/15
SCALE:	As Noted
REVISION LEVEL:	R3

TYMETAL CORP.
 www.tymetal.com
 678 WILBUR AVENUE
 GREENWICH, N.Y. 12834
 PH: (800) 328-4283 - FX: (518) 692-9404



2 TRACK EMBEDMENT SECTION
 Scale: None



3 CATCHER ASSEMBLY DETAIL
 Scale: None

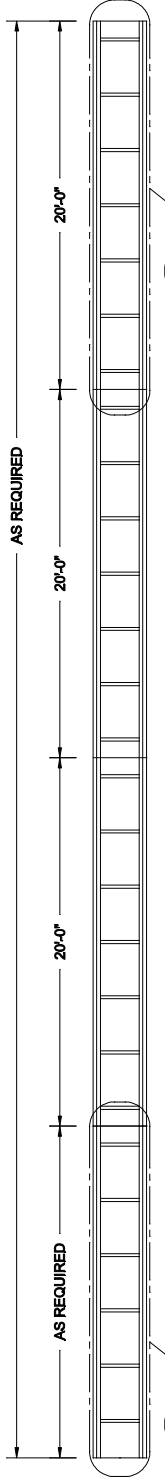


NOTE:
 1. CONCRETE FOOTING SHALL BE SIZED AS REQUIRED BY A LOCAL ENGINEER IN ACCORDANCE WITH ALL JOB SPECIFICATIONS.

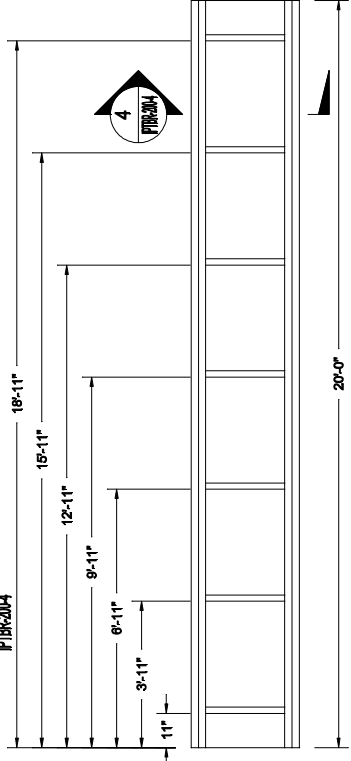
PTBR-200 R3
 MNS
 3/27/15
 DATE: 3/27/15
 CHECKED BY: BGG
 SCALE: As Noted
 REVISION LEVEL: R3

PROJECT: PTBR-200 R3
 SUBJECT: Internal Picket Telescoping Box Frame Roller Gate Details
 CONTRACTOR:
 ARCHITECT/ENGINEER:
 DRAWING NUMBER: 4 of 4
 DIRECTORY\CAD FILE: IPTBR-200 R3

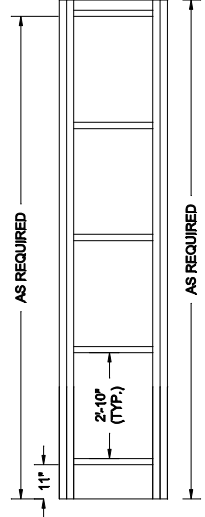
TYMETAL CORP.
 www.tymetal.com
 678 WILBUR AVENUE
 GREENWICH, N.Y. 12834
 PH: (800) 328-4283 - FX: (518) 692-9404



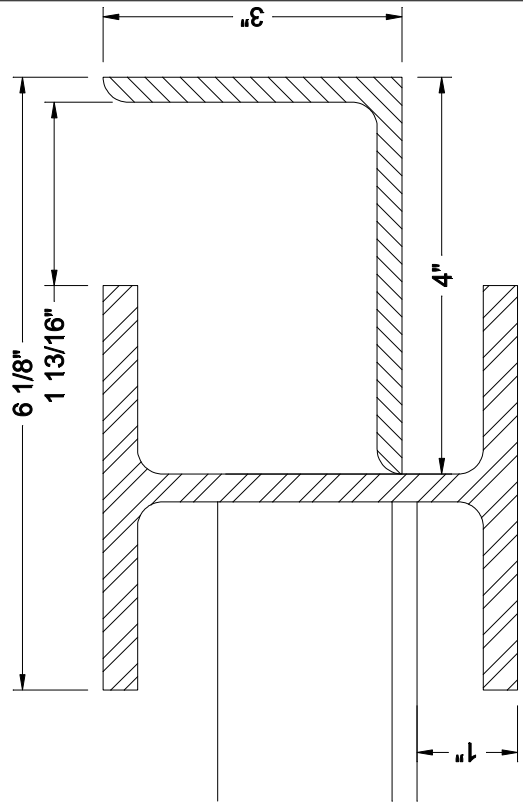
1 TRACK PLAN VIEW
 PTBR-2004 Scale: None



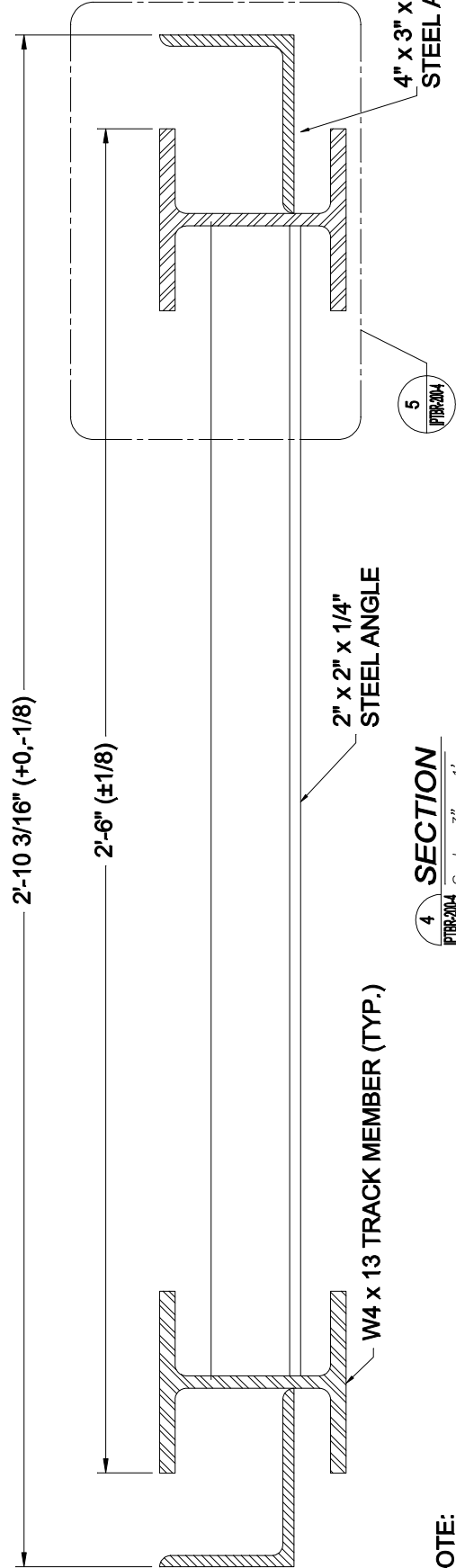
2 20' TRACK DETAIL (AS REQUIRED)
 PTBR-2004 Scale: 3/16" = 1'



3 SUPPLEMENTAL TRACK DETAIL (1 SECTION REQUIRED)
 PTBR-2004 Scale: 3/16" = 1'



5 DETAIL
 PTBR-2004 Scale: 6" = 1'



4 SECTION
 PTBR-2004 Scale: 3" = 1'

NOTE:
 1. TRACK SECTIONS ARE HOT DIP GALVANIZED