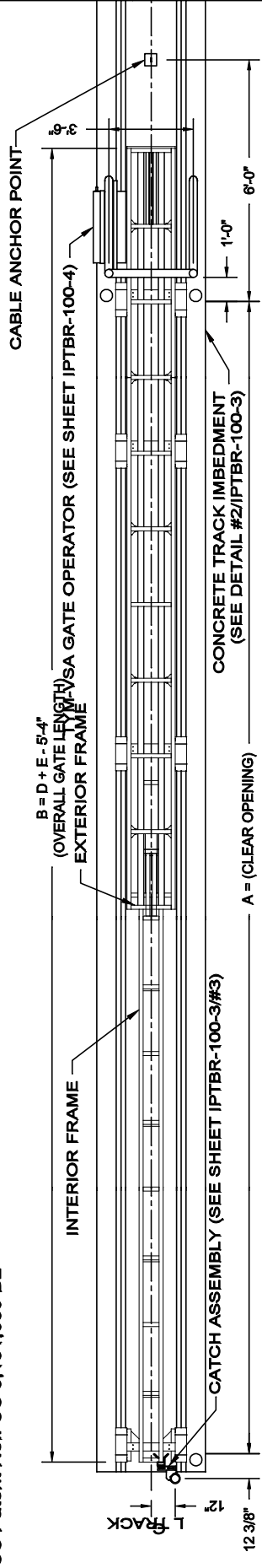
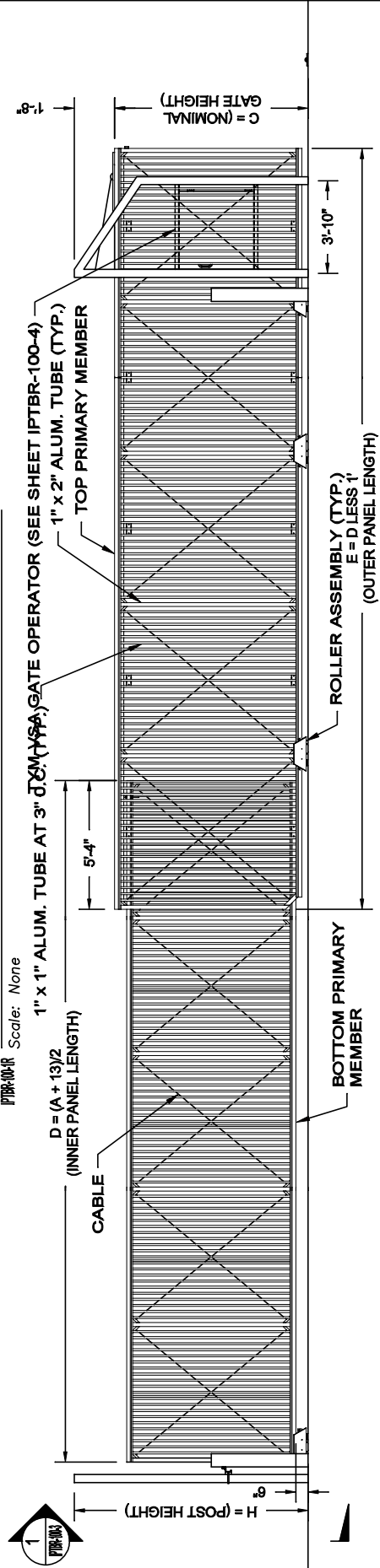


PROJECT: IPTBR-100 R9
 DRAWN BY: JDT
 DATE: 4/7/25
 CHECKED BY: JDE
 DATE: 4/7/25
 SCALE: As Noted
 REVISION LEVEL: R9
 ARCHITECT/ENGINEER: IPTBR-100-1R
 DRAWING NUMBER: 1 of 5
 SHEET NUMBER: Internal Picket Telescoping Box Frame Roller Gate

TYMETAL
 SECURITY GATES & PERIMETER SOLUTIONS
 678 WILBUR AVENUE GREENWICH, N.Y. 12834
 PH: (800) 328-4283 - FX: (518) 692-9404



1 PLAN VIEW (GATE CLOSED POSITION)



2 ELEVATION (GATE CLOSED POSITION)

NOMINAL GATE SIZE

CRITICAL DIMENSION CHART

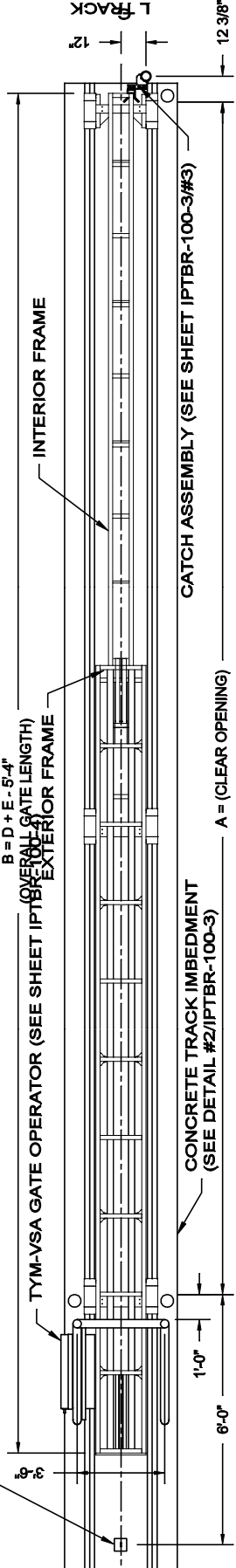
A	CLEAR OPENING	* A (83' MAX.)
B	OVERALL GATE LENGTH	(D+E) - 5'-4"
C	NOMINAL GATE HEIGHT	** C
D	INNER PANEL LENGTH	(A+13)/2
E	OUTER PANEL LENGTH	D - 1'
F	OVERALL TRACK LENGTH	(A+G) - 4'
G	COLLAPSED LENGTH	D
H	POST HEIGHT	C + 1'-8"

* CONTACT MANUFACTURER REGARDING SIZES GREATER THAN THOSE STATED.
 ** STANDARD HEIGHTS ARE 8' AND 10'. CONTACT MANUFACTURER REGARDING HEIGHTS OTHER THAN THOSE STATED.

- NOTE:
1. CONCRETE FOOTING SHALL BE SIZED AS REQUIRED BY A LOCAL ENGINEER IN ACCORDANCE WITH ALL JOB SPECIFICATIONS.
 2. HEAT CABLE SUGGESTED FOR INSTALLATIONS IN AREAS WHERE ICING MAY OCCUR.

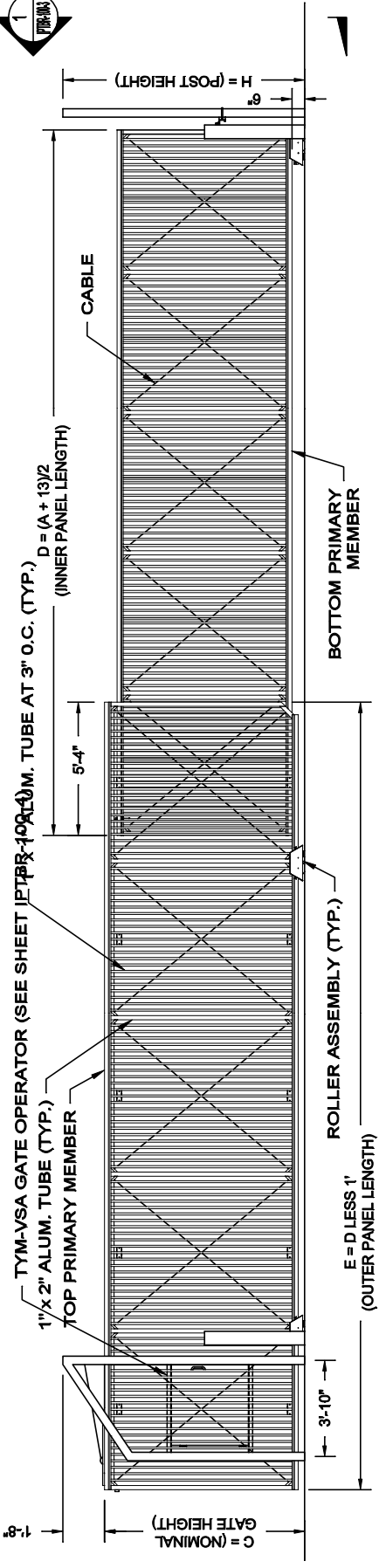
US Patent No.: US 8,181,689 B2

CABLE ANCHOR POINT



1 PLAN VIEW (GATE CLOSED POSITION)

Scale: None



2 ELEVATION (GATE CLOSED POSITION)

Scale: None

NOMINAL GATE SIZE

CRITICAL DIMENSION CHART

A	CLEAR OPENING	* A (83' MAX.)
B	OVERALL GATE LENGTH	(D+E) - 5'-4"
C	NOMINAL GATE HEIGHT	** C
D	INNER PANEL LENGTH	(A+13)/2
E	OUTER PANEL LENGTH	D - 1'
F	OVERALL TRACK LENGTH	(A+G) - 4'
G	COLLAPSED LENGTH	D
H	POST HEIGHT	C + 1'-8"

* CONTACT MANUFACTURER REGARDING SIZES GREATER THAN THOSE STATED.
 ** STANDARD HEIGHTS ARE 8' AND 10'. CONTACT MANUFACTURER REGARDING HEIGHTS OTHER THAN THOSE STATED.

- NOTE:
1. CONCRETE FOOTING SHALL BE SIZED AS REQUIRED BY A LOCAL ENGINEER IN ACCORDANCE WITH ALL JOB SPECIFICATIONS.
 2. HEAT CABLE SUGGESTED FOR INSTALLATIONS IN AREAS WHERE ICING MAY OCCUR.

PROJECT: IPTBR-100 R9
 DRAWN BY: JDT
 DATE: 4/7/25
 CHECKED BY: JDE
 DATE: 4/7/25
 SCALE: As Noted
 REVISION LEVEL: R9

CONTRACTOR: INTERNAL PICKET TELESCOPING BOX FRAME ROLLER GATE
 SUBJECT: IPTBR-100 R9
 SHEET NUMBER: 1 of 5
 DRAWING NUMBER: IPTBR-100-1L
 ARCHITECT/ENGINEER: JDT

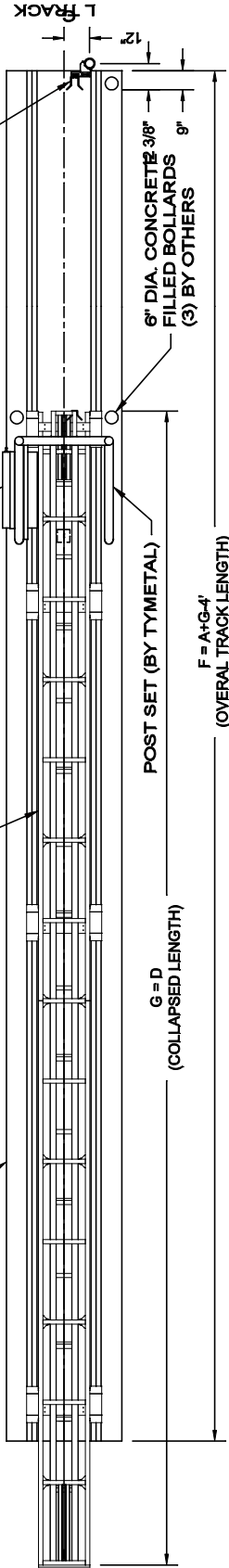
TYMETAL
 SECURITY GATES & PERIMETER SOLUTIONS
 678 WILBUR AVENUE GREENWICH, N.Y. 12834
 PH: (800) 328-4283 - FX: (518) 892-9404

US Patent No.: US 8,181,689 B2
 CONCRETE TRACK IMBEDMENT
 (SEE DETAIL #2/IPTBR-100-3)

TYM-VSA GATE OPERATOR
 (SEE SHEET IPTBR-100-4)

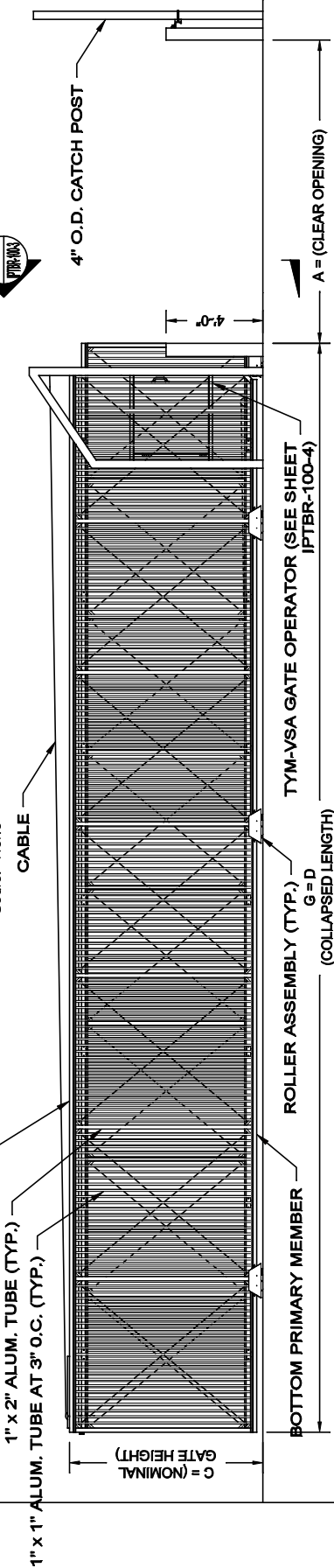
GATE FRAME

CATCHER (SEE SHEET IPTBR-100-3/#3)



1 PLAN VIEW (GATE OPEN POSITION)

IPTBR-100-2 Scale: None



2 ELEVATION (GATE OPEN POSITION)

IPTBR-100-2 Scale: None

- NOTES:
- CONCRETE FOOTING SHALL BE SIZED AS REQUIRED BY A LOCAL ENGINEER IN ACCORDANCE WITH ALL JOB SPECIFICATIONS.

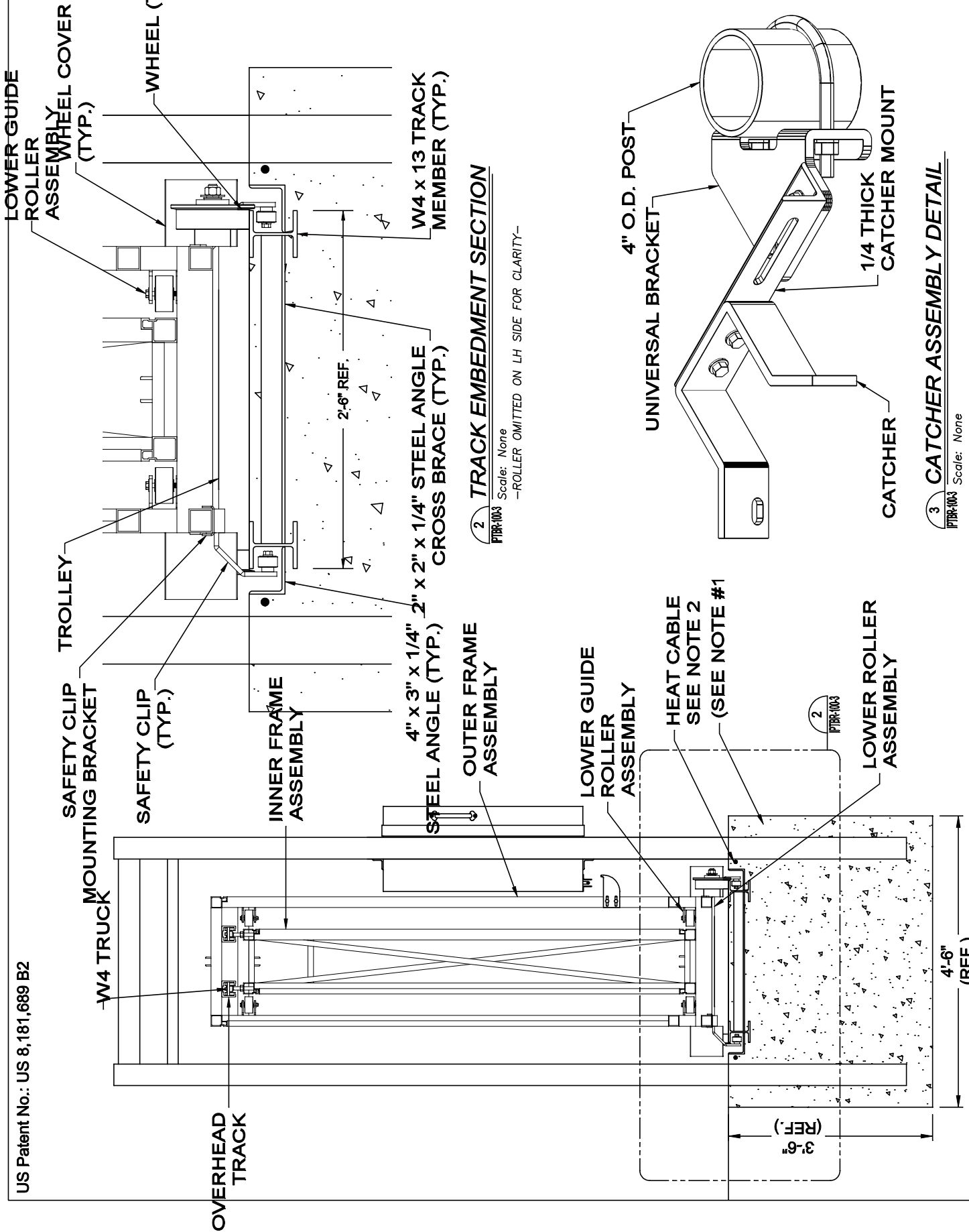
IPTBR-100-2L
 DRAWING NUMBER:
 SHEET NUMBER:
 2 of 5
 IPTBR-100 R9
 DIRECTOR/CAD FILE:

PROJECT:
 INTERNAL PICKET TELESCOPING BOX FRAME ROLLER GATE
 SUBJECT:
 CONTRACTOR:
 ARCHITECT/ENGINEER:

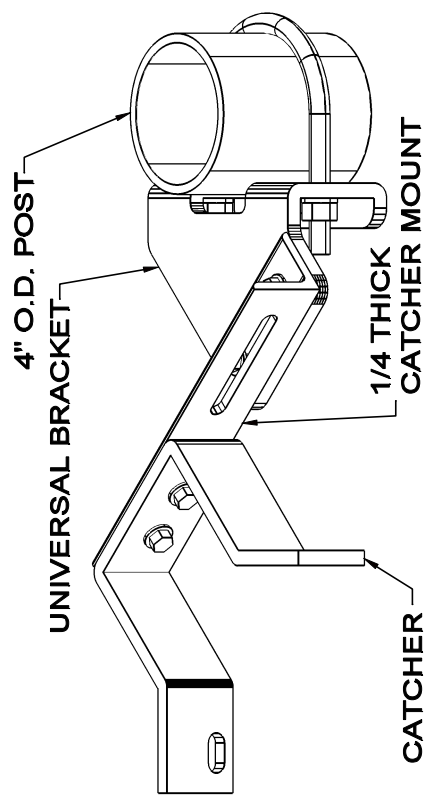
DRAWN BY: JDT
 DATE: 4/7/25
 CHECKED BY: JDE
 DATE: 4/7/25
 SCALE:
 As Noted
 REVISION LEVEL:
 R9

TYMETAL
 SECURITY GATES & PERIMETER SOLUTIONS
 678 WILBUR AVENUE GREENWICH, N.Y. 12834
 PH: (800) 328-4283 - FX: (518) 692-9404

US Patent No.: US 8,181,689 B2



2 TRACK EMBEDMENT SECTION
 P1BR-1003 Scale: None
 -ROLLER OMITTED ON LH SIDE FOR CLARITY-



3 CATCHER ASSEMBLY DETAIL
 P1BR-1003 Scale: None

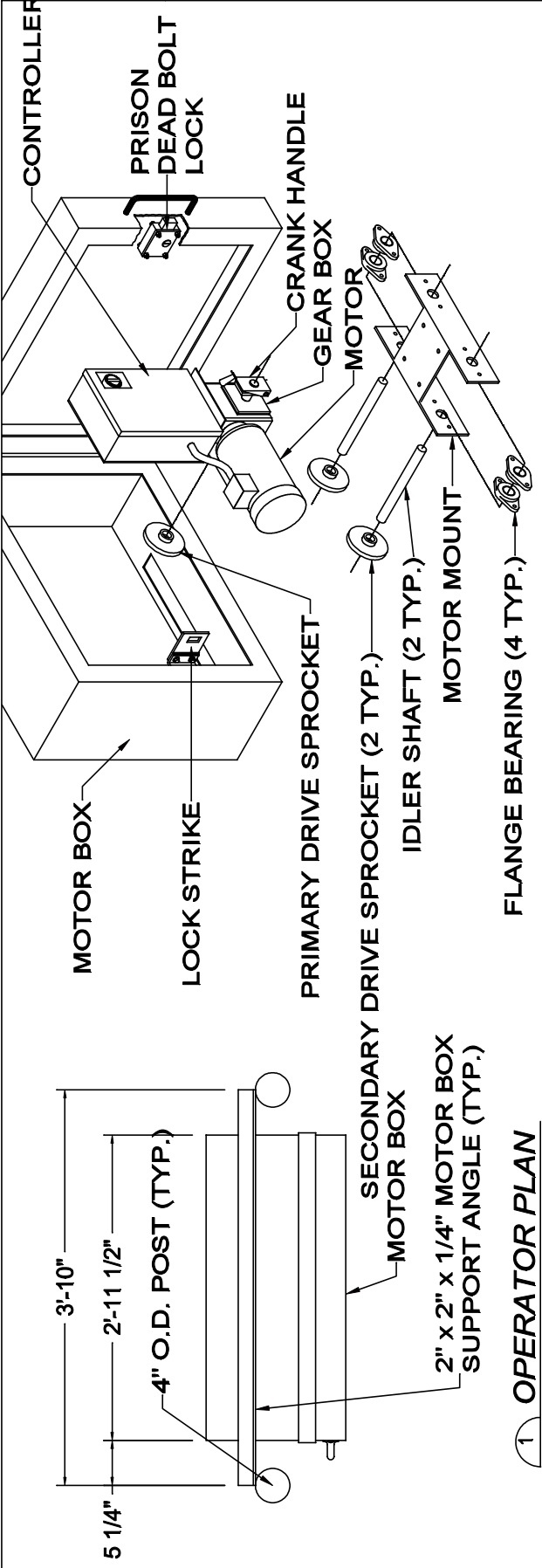
NOTE:
 1. CONCRETE FOOTING SHALL BE SIZED AS REQUIRED BY A LOCAL ENGINEER IN ACCORDANCE WITH ALL JOB SPECIFICATIONS.

1 ASSEMBLY SECTION
 P1BR-1003 Scale: None
 -ROLLER OMITTED ON LH SIDE FOR CLARITY-

DRAWN BY: JDT DATE: 4/7/25 CHECKED BY: JDE DATE: 4/7/25 SCALE: As Noted REVISION LEVEL: R9	PROJECT: DIRECTORY CAD FILE: IPTBR-100 R9 SHEET NUMBER: 3 of 5 DRAWING NUMBER: IPTBR-100-3
	SUBJECT: Internal Picket Telescoping Box Frame Roller Gate (US Patent No. 8,181,689 B2) Details CONTRACTOR: ARCHITECT/ENGINEER:

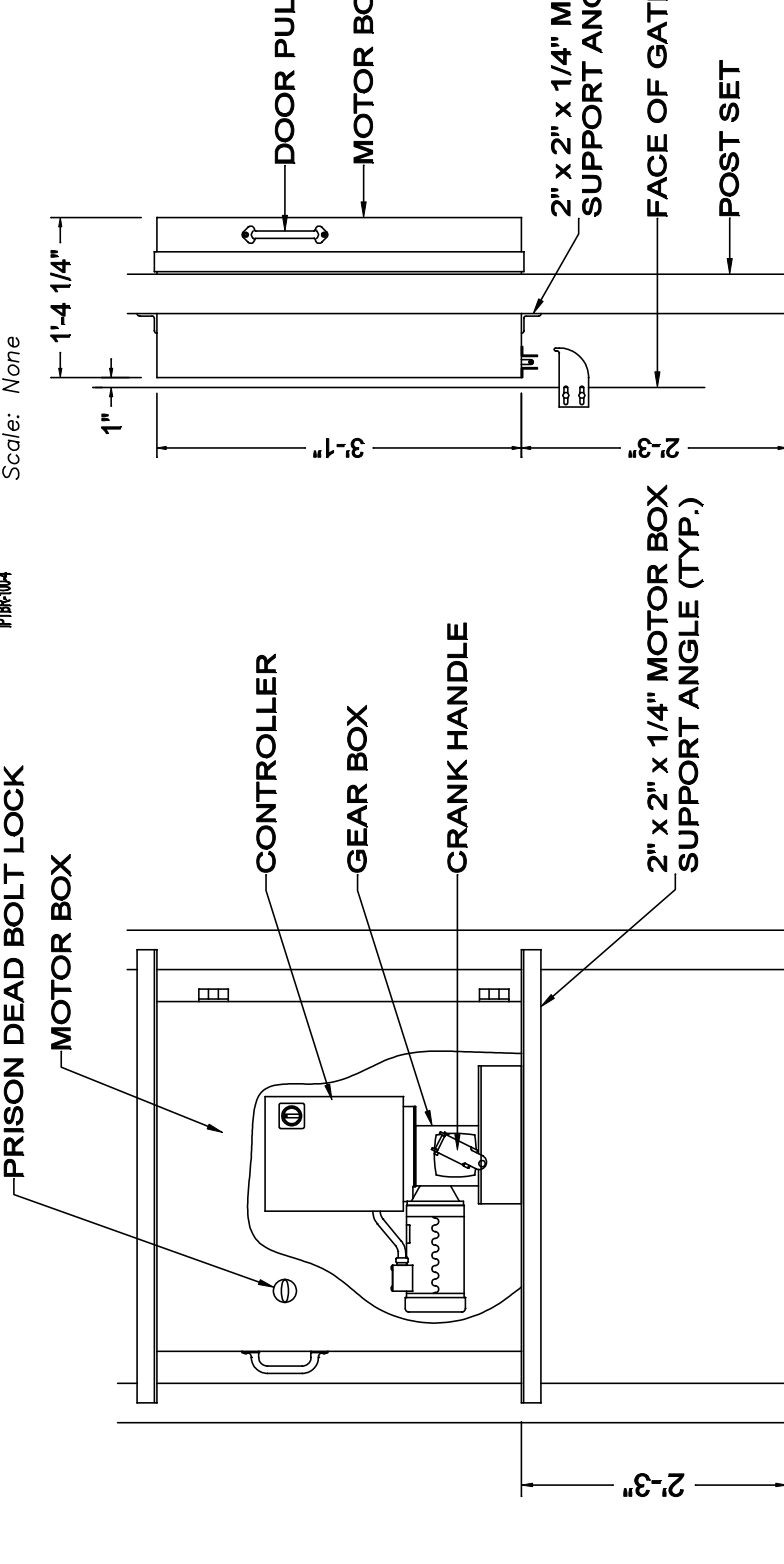


 SECURITY GATES & PERIMETER SOLUTIONS
 678 WILBUR AVENUE GREENWICH, N.Y. 12834
 PH: (800) 328-4283 - FX: (518) 692-9404



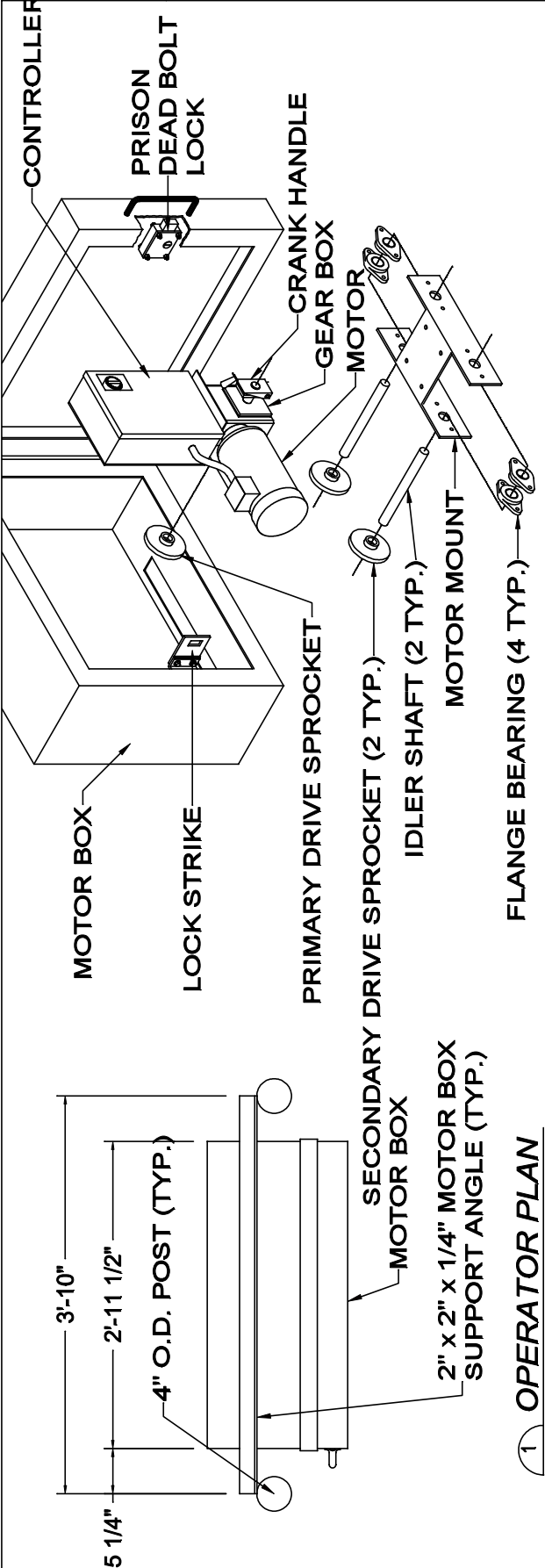
1 OPERATOR PLAN
 PTBR-1004 Scale: None

2 OPERATOR DRIVE ASSEMBLY
 PTBR-1004 Scale: None

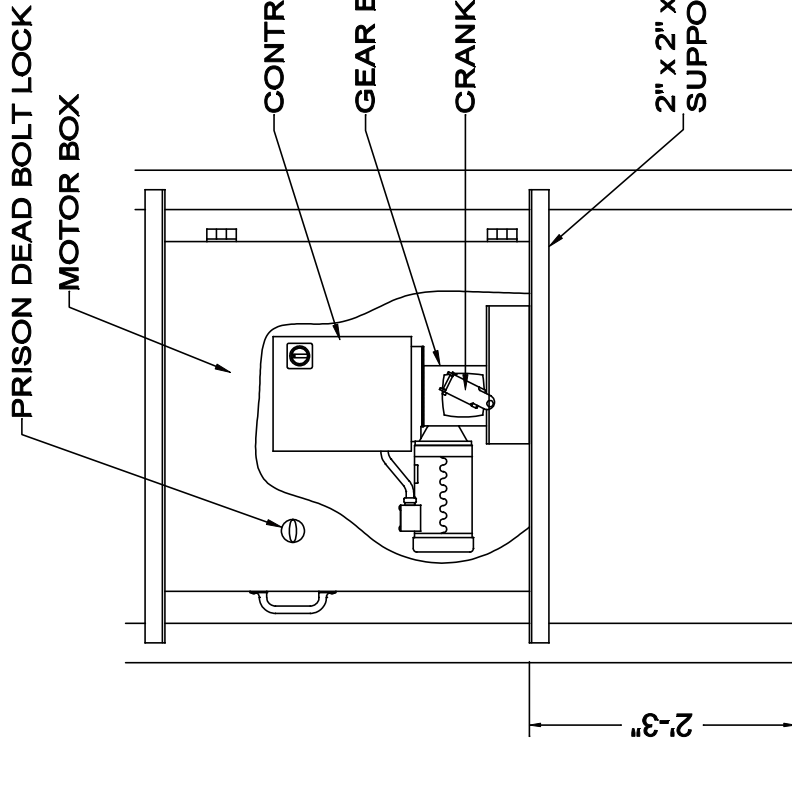


3 OPERATOR FRONT ELEVATION
 PTBR-1004 Scale: None

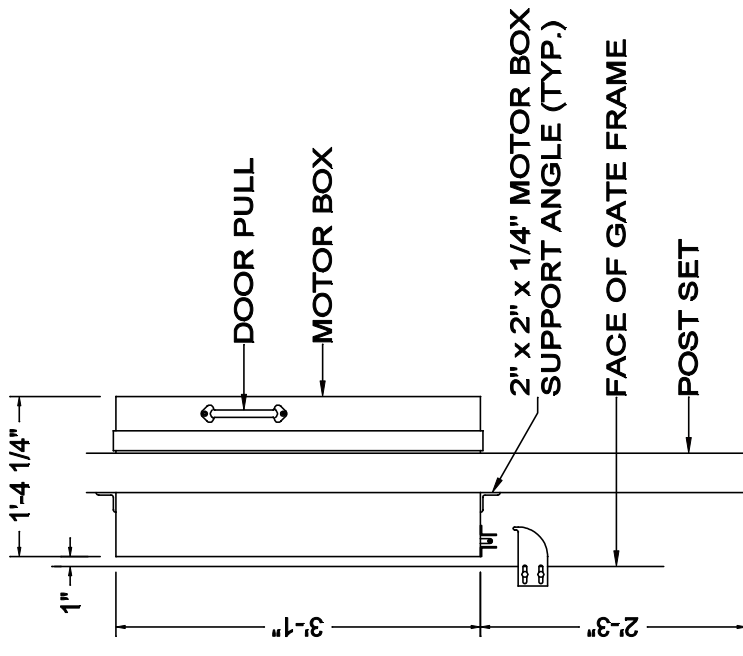
4 OPERATOR SIDE ELEVATION
 PTBR-1004 Scale: None



2 OPERATOR DRIVE ASSEMBLY
 Scale: None



1 OPERATOR PLAN
 Scale: None



3 OPERATOR FRONT ELEVATION
 Scale: None

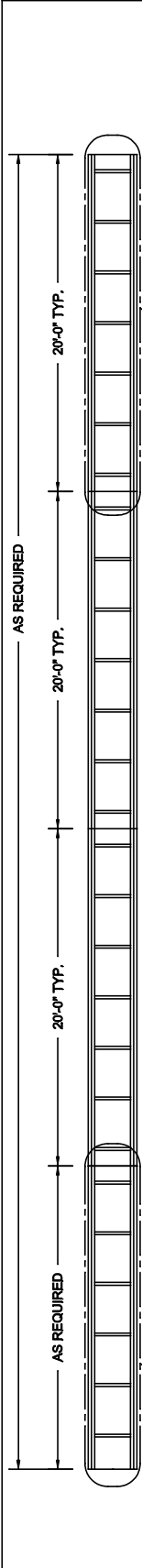
4 OPERATOR SIDE ELEVATION
 Scale: None

PTBR-100-5
 DRAWING NUMBER:
 5 of 5
 SHEET NUMBER:
 IPTBR-100 R9
 DIRECTORY/CAD FILE:

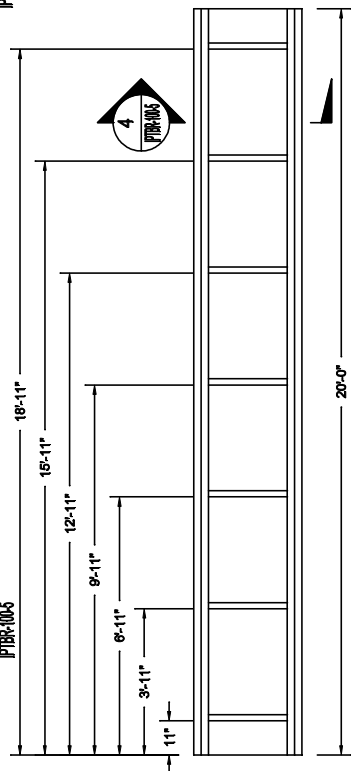
PROJECT:
 SUBJECT: Telescoping Box Frame Roller Gate Track Details
 CONTRACTOR:
 ARCHITECT/ENGINEER:

PTBR-100-5
 DRAWN BY: JDT
 DATE: 4/7/25
 CHECKED BY: JDE
 DATE: 4/7/25
 SCALE:
 As Noted
 REVISION LEVEL:
 R9

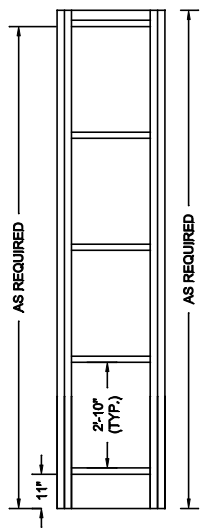
Tymetal
 SECURITY GATES & PERIMETER SOLUTIONS
 678 WILBUR AVENUE GREENWICH, N.Y. 12834
 PH: (800) 328-4283 - FX: (518) 892-9404



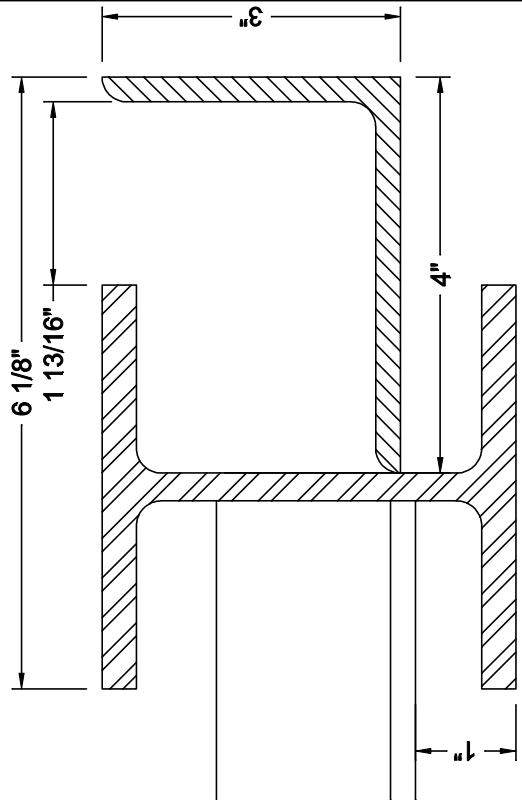
1 TRACK PLAN VIEW
 PTBR-100-5 Scale: None



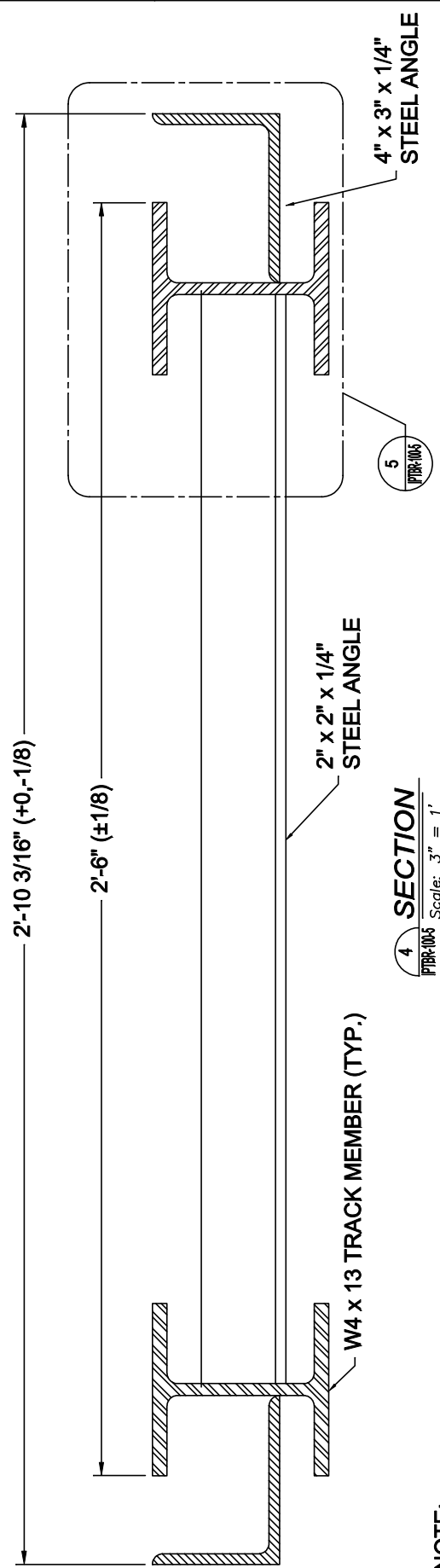
2 20' TRACK DETAIL (AS REQUIRED)
 PTBR-100-5 Scale: 3/16" = 1'



3 SUPPLEMENTAL TRACK DETAIL (1 SECTION REQUIRED)
 PTBR-100-5 Scale: 3/16" = 1'



5 DETAIL
 PTBR-100-5 Scale: 6" = 1'



4 SECTION
 PTBR-100-5 Scale: 3" = 1'

NOTE:
 1. TRACK SECTIONS ARE HOT DIP GALVANIZED
 2. TYPICAL TRACK LAYOUT SHOWN. TRACK LAYOUT AND NUMBER OF TRACK SECTION VARY BY GATE.