

NOMINAL GATE SIZE

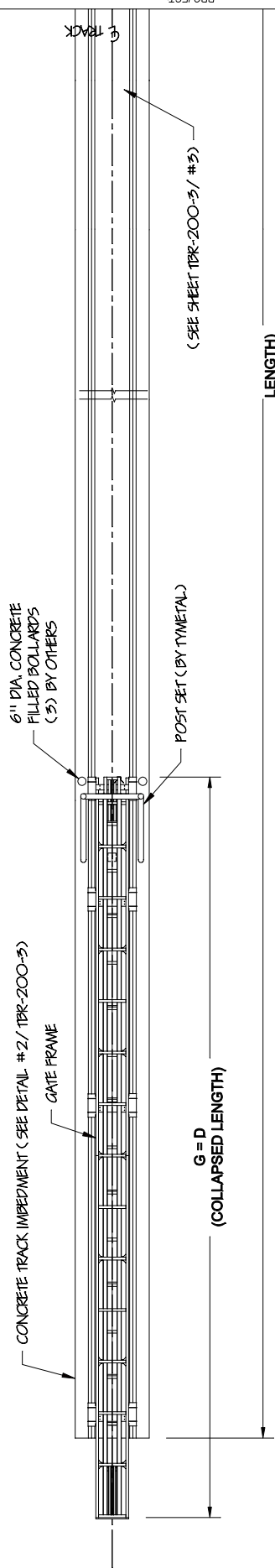
CRITICAL DIMENSION CHART

A	CLEAR OPENING	* A (83' MAX.)
B	OVERALL GATE LENGTH	(D+E) - 5'-4"
C	NOMINAL GATE HEIGHT	** C
D	INNER PANEL LENGTH	(A+13)/2
E	OUTER PANEL LENGTH	D - 1'
F	OVERALL TRACK LENGTH	(A+G) - 4'
G	COLLAPSED LENGTH	D
H	POST HEIGHT	C + 1'-8"

* CONTACT MANUFACTURER REGARDING SIZES GREATER THAN THOSE STATED.
 ** STANDARD HEIGHTS ARE 8' AND 10'. CONTACT MANUFACTURER REGARDING HEIGHTS OTHER THAN THOSE STATED.

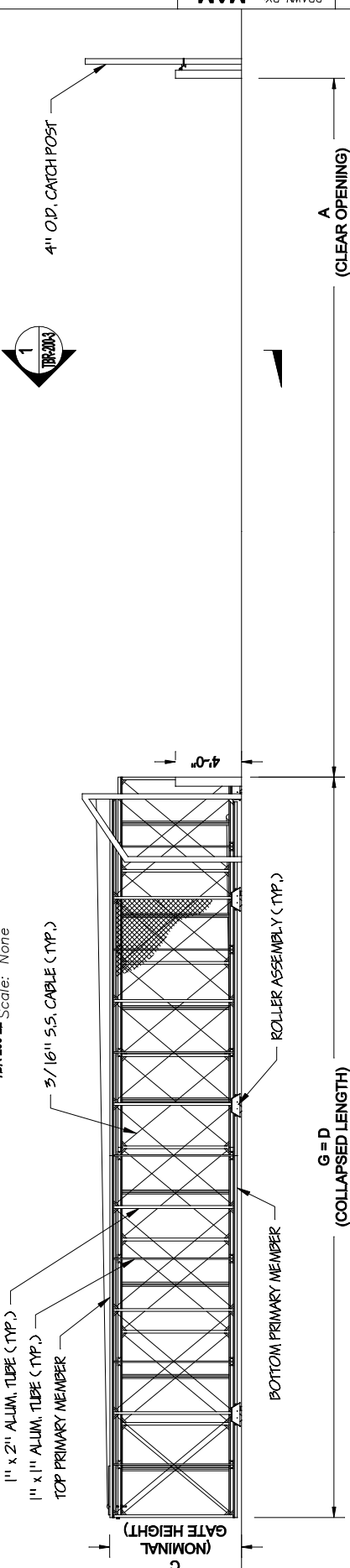
- NOTES:**
- CONCRETE FOOTING SHALL BE SIZED AS REQUIRED BY A LOCAL ENGINEER IN ACCORDANCE WITH ALL JOB SPECIFICATIONS.
 - HEAT CABLE SUGGESTED FOR INSTALLATIONS IN AREAS WHERE ICING MAY OCCUR.

US Patent No.: US 8,181,689 B2



1 PLAN VIEW (GATE OPEN POSITION)

TBR-200-2L Scale: None



2 ELEVATION (GATE OPEN POSITION)

TBR-200-2L Scale: None

NOTES:

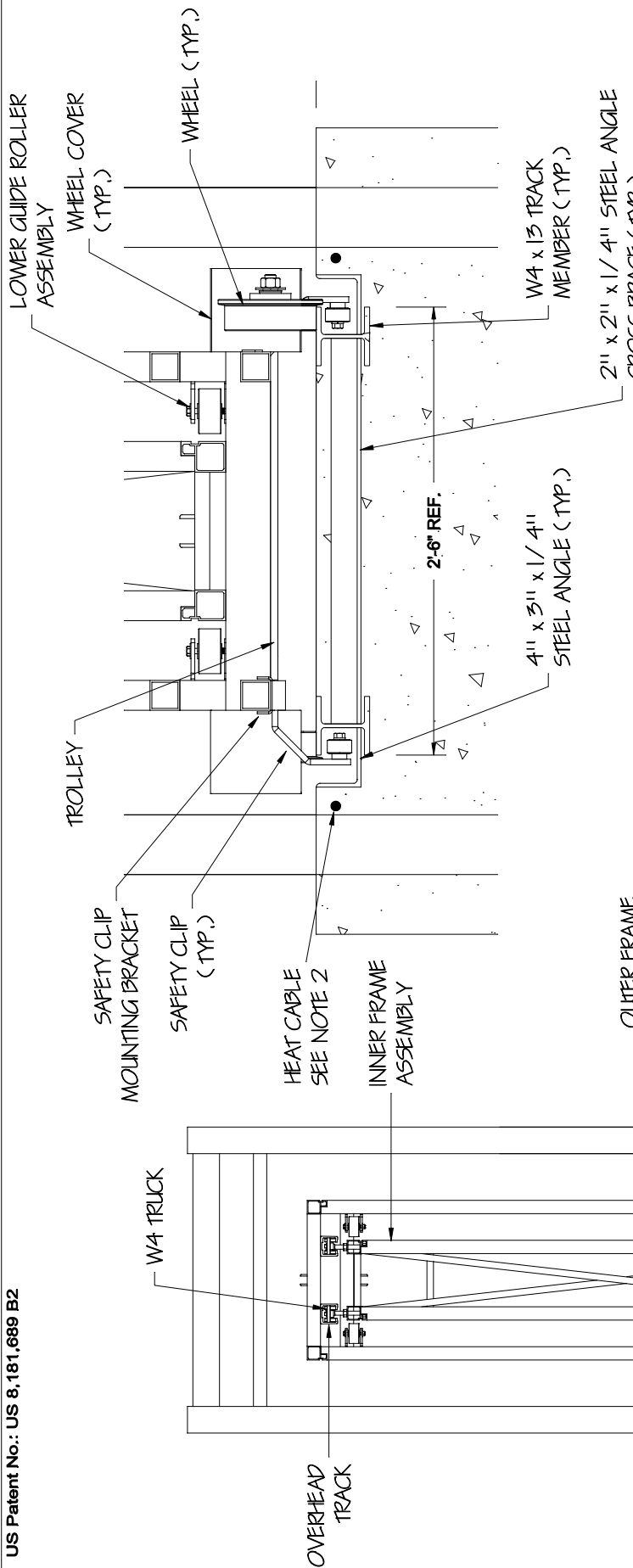
1. CONCRETE FOOTING SHALL BE SIZED AS REQUIRED BY A LOCAL ENGINEER IN ACCORDANCE WITH ALL JOB SPECIFICATIONS.
2. HEAT CABLE SUGGESTED FOR INSTALLATIONS IN AREAS WHERE ICING MAY OCCUR.

TBR-200-2L
SHEET NUMBER:
2 of 4
DRAWING NUMBER:
TBR-200_R0
DIRECTOR/CAD FILE:

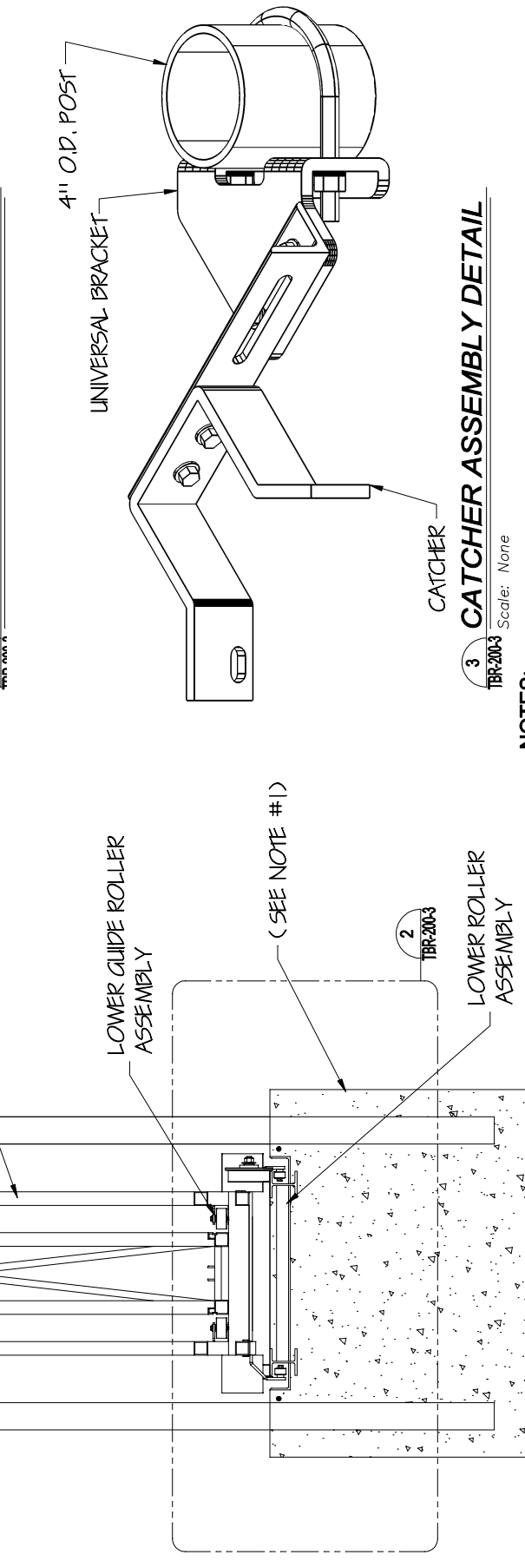
PROJECT:
SUBJECT:
Telescoping Box Frame Roller Gate (US Patent No. 8,181,689 B2)
CONTRACTOR:
ARCHITECT/ENGINEER:
DATE: 2/19/21
CHECKED BY: BGG
DATE: 2/19/21
DRAWN BY: MAM

REVISION LEVEL:
R0
As Noted
SCALE:

TYMETAL
SECURITY GATES & PERIMETER SOLUTIONS
GREENWICH, N.Y. 12834
PH: (800) 328-4283 - FX: (518) 692-9404



2 TRACK IMBEDMENT SECTION



3 CATCHER ASSEMBLY DETAIL

- NOTES:
1. CONCRETE FOOTING SHALL BE SIZED AS REQUIRED BY A LOCAL ENGINEER IN ACCORDANCE WITH ALL JOB SPECIFICATIONS.
 2. HEAT CABLE SUGGESTED FOR INSTALLATIONS IN AREAS WHERE ICING MAY OCCUR.

1 ASSEMBLY SECTION

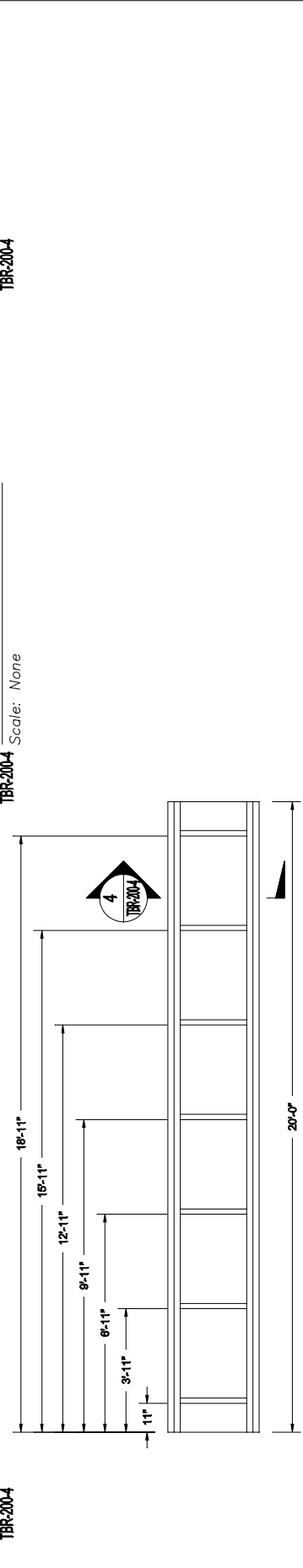
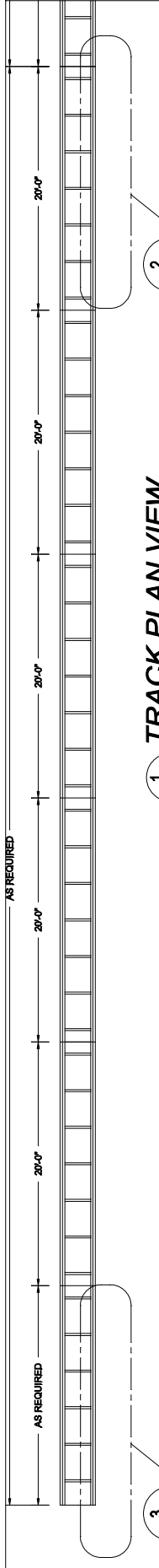
TBR-2003 Scale: None

TBR-2003 Scale: None

PROJECT: TBR-200 R0
 SUBJECT: Telescoping Box Frame Roller Track Details
 CONTRACTOR: ARCHITECT/ENGINEER: TBR-200-4
 DRAWING NUMBER: 4 of 4
 SHEET NUMBER: TBR-200 R0
 DIRECTORY/CAD FILE: TBR-200-4

REVISION LEVEL: R0	ARCHITECT/ENGINEER: TBR-200-4
As Noted	CONTRACTOR:
SCALE:	SUBJECT: Telescoping Box Frame Roller Track Details
DATE: 2/19/21	CONTRACTOR:
CHECKED BY: BGG	SUBJECT: Telescoping Box Frame Roller Track Details
DATE: 2/19/21	CONTRACTOR:
DRAWN BY: MAM	SUBJECT: Telescoping Box Frame Roller Track Details

TYMETAL
 SECURITY GATES & PERIMETER SOLUTIONS
 678 WILBUR AVENUE GREENWICH, N.Y. 12834
 PH: (800) 328-4283 - FX: (518) 692-9404



NOTE:
 1. TRACK SECTIONS ARE HOT DIP GALVANIZED