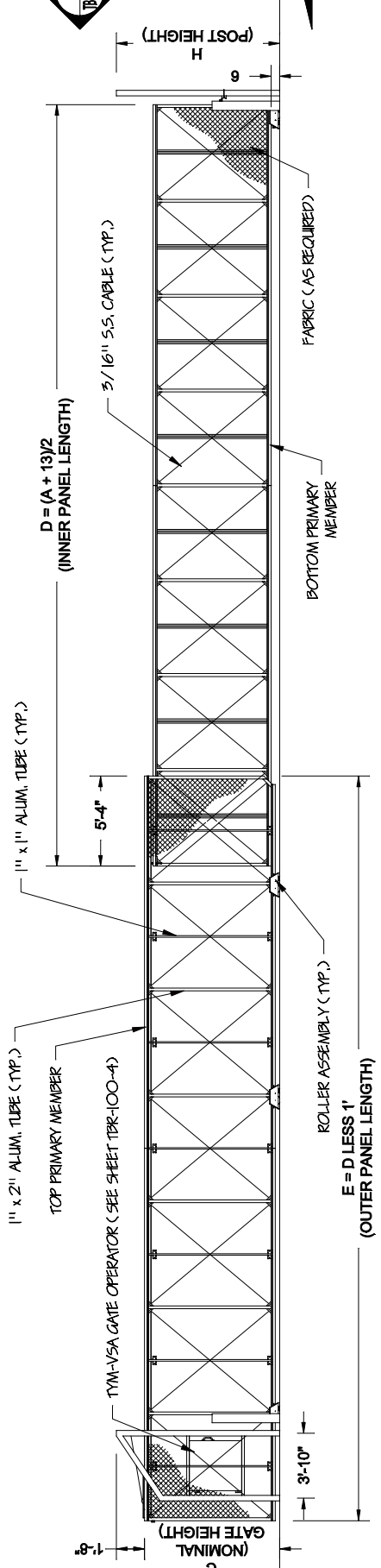


1 PLAN VIEW (GATE CLOSED POSITION)
 TBR-100-1L Scale: None



2 ELEVATION (GATE CLOSED POSITION)
 TBR-100-1L Scale: None

NOMINAL GATE SIZE

CRITICAL DIMENSION CHART	
A	CLEAR OPENING * A (83' MAX.)
B	OVERALL GATE LENGTH (D+E) - 5'-4"
C	NOMINAL GATE HEIGHT ** C
D	INNER PANEL LENGTH (A+13')/2
E	OUTER PANEL LENGTH D - 1'
F	OVERALL TRACK LENGTH (A+G) - 4'
G	COLLAPSED LENGTH D
H	POST HEIGHT C + 1'-8"

* CONTACT MANUFACTURER REGARDING SIZES GREATER THAN THOSE STATED.
 ** STANDARD HEIGHTS ARE 8' AND 10'. CONTACT MANUFACTURER REGARDING HEIGHTS OTHER THAN THOSE STATED.

- NOTES:**
- CONCRETE FOOTING SHALL BE SIZED AS REQUIRED BY A LOCAL ENGINEER IN ACCORDANCE WITH ALL JOB SPECIFICATIONS.
 - HEAT CABLE SUGGESTED FOR INSTALLATIONS IN AREAS WHERE ICING MAY OCCUR.

US Patent No.: US 8,181,689 B2

TYM-V5A GATE OPERATOR (SEE SHEET TBR-100-4)

CONCRETE TRACK IMPEDMENT (SEE DETAIL #2/ TBR-100-5)

GATE FRAME

6" DIA. CONCRETE FILLED BOLLARDS (5) BY OTHERS

POST SET (BY TYMETAL)

G = D
(COLLAPSED LENGTH)

F = A + G - 4"
(OVERALL TRACK LENGTH)

1 PLAN VIEW (GATE OPEN POSITION)

TBR-100-2L Scale: None

1" x 2" ALUM. TUBE (TYP.)

1" x 1" ALUM. TUBE (TYP.)

TOP PRIMARY MEMBER

5/16" S.S. CABLE (TYP.)

(NOMINAL GATE HEIGHT)
C

BOTTOM PRIMARY MEMBER

ROLLER ASSEMBLY (TYP.)

G = D
(COLLAPSED LENGTH)

2 ELEVATION (GATE OPEN POSITION)

TBR-100-2L Scale: None

TYM-V5A GATE OPERATOR (SEE SHEET TBR-100-4)

A
(CLEAR OPENING)

4" O.D. CATCH POST

12 TRACK

12 3/8" (SEE SHEET TBR-100-5/ #5)

9"

TBR-100-2L

DRAWING NUMBER:

SHEET NUMBER:
2 of 5

TBR-100_R8
DIRECTOR\CAD FILE:

PROJECT:

Telescoping Box Frame Roller Gate

CONTRACTOR:

ARCHITECT/ENGINEER:

R8

REVISION LEVEL:

As Noted

SCALE:

DATE: 3/27/15
CHECKED BY: BGG

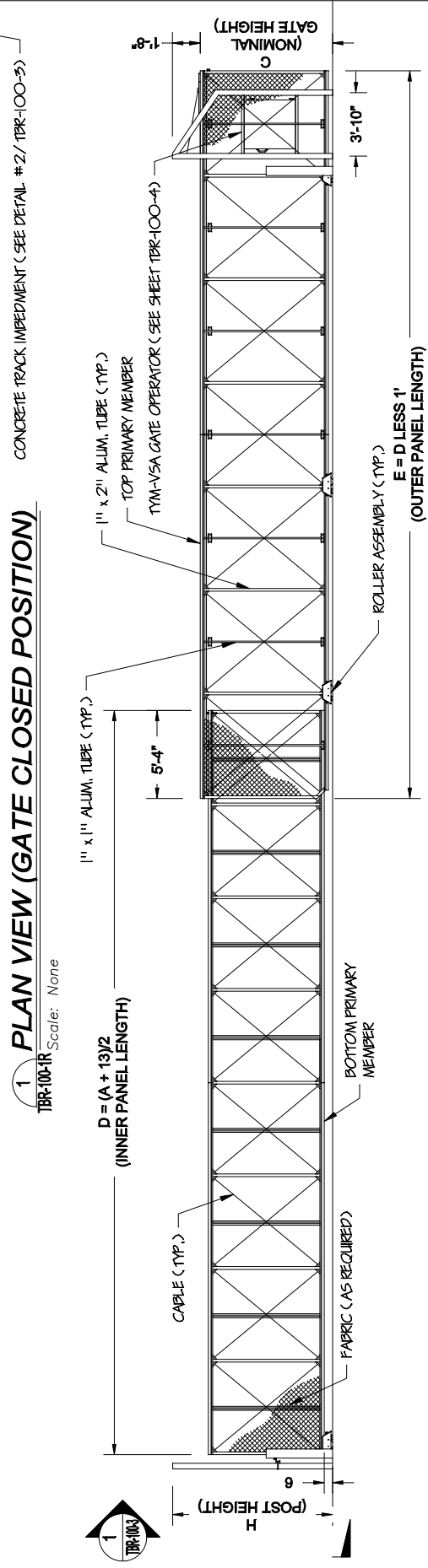
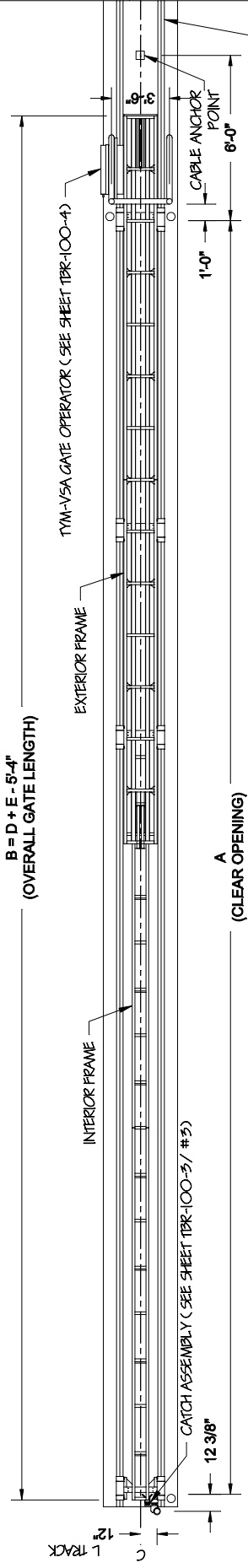
DATE: 3/27/15
DRAWN BY: MNS

TYMETAL CORP.
www.tymetal.com
678 WILBUR AVENUE
GREENWICH, N.Y. 12834
PH: (800) 328-4283 - FX: (518) 692-9404

NOTES:

1. CONCRETE FOOTING SHALL BE SIZED AS REQUIRED BY A LOCAL ENGINEER IN ACCORDANCE WITH ALL JOB SPECIFICATIONS.

2. HEAT CABLE SUGGESTED FOR INSTALLATIONS IN AREAS WHERE ICING MAY OCCUR.



NOMINAL GATE SIZE

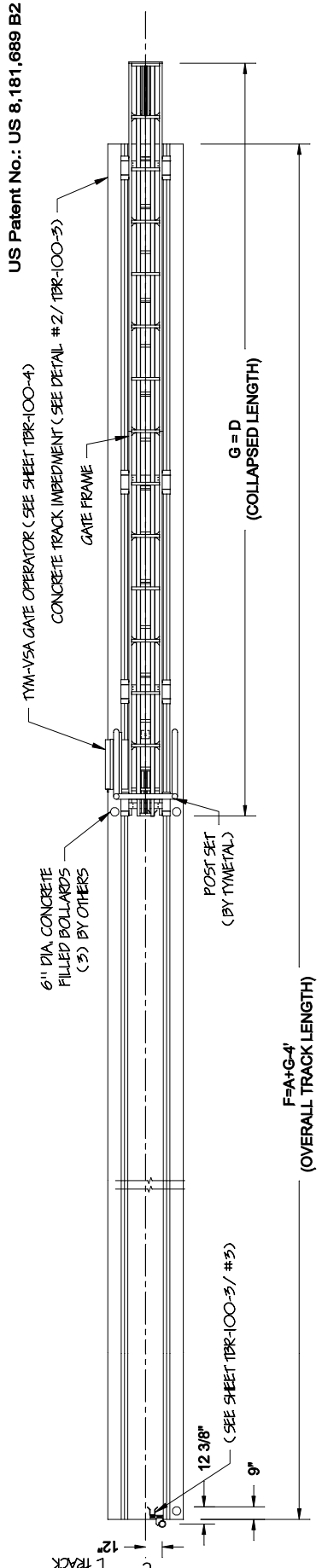
A	CLEAR OPENING	* A (83' MAX.)
B	OVERALL GATE LENGTH	(D+E) - 5'-4"
C	NOMINAL GATE HEIGHT	** C
D	INNER PANEL LENGTH	(A+13')/2
E	OUTER PANEL LENGTH	D - 1'
F	OVERALL TRACK LENGTH	(A+G) - 4'
G	COLLAPSED LENGTH	D
H	POST HEIGHT	C + 1'-8"

CRITICAL DIMENSION CHART

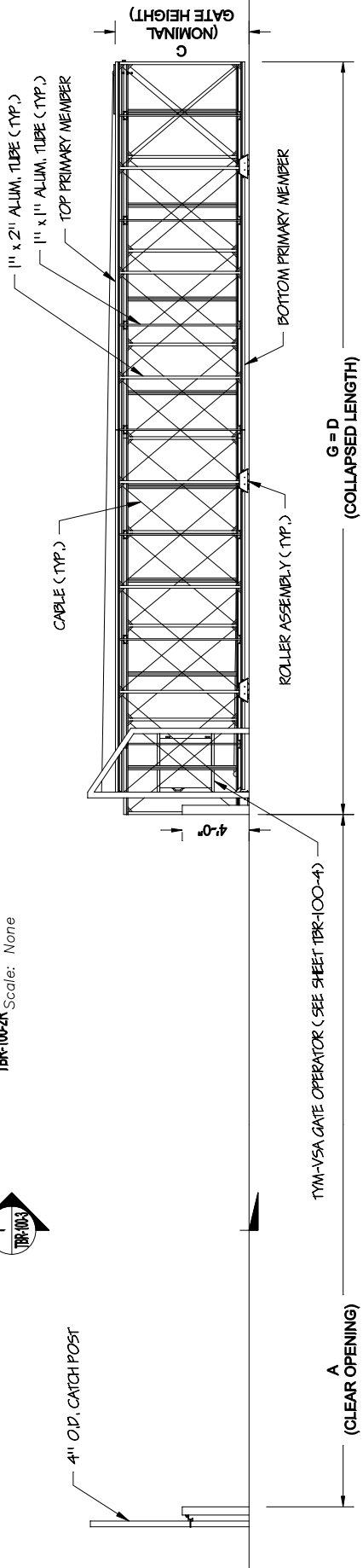
A	CLEAR OPENING	* A (83' MAX.)
B	OVERALL GATE LENGTH	(D+E) - 5'-4"
C	NOMINAL GATE HEIGHT	** C
D	INNER PANEL LENGTH	(A+13')/2
E	OUTER PANEL LENGTH	D - 1'
F	OVERALL TRACK LENGTH	(A+G) - 4'
G	COLLAPSED LENGTH	D
H	POST HEIGHT	C + 1'-8"

* CONTACT MANUFACTURER REGARDING SIZES GREATER THAN THOSE STATED.
 ** STANDARD HEIGHTS ARE 8' AND 10'. CONTACT MANUFACTURER REGARDING HEIGHTS OTHER THAN THOSE STATED.

- NOTES:**
- CONCRETE FOOTING SHALL BE SIZED AS REQUIRED BY A LOCAL ENGINEER IN ACCORDANCE WITH ALL JOB SPECIFICATIONS.
 - HEAT CABLE SUGGESTED FOR INSTALLATIONS IN AREAS WHERE ICING MAY OCCUR.

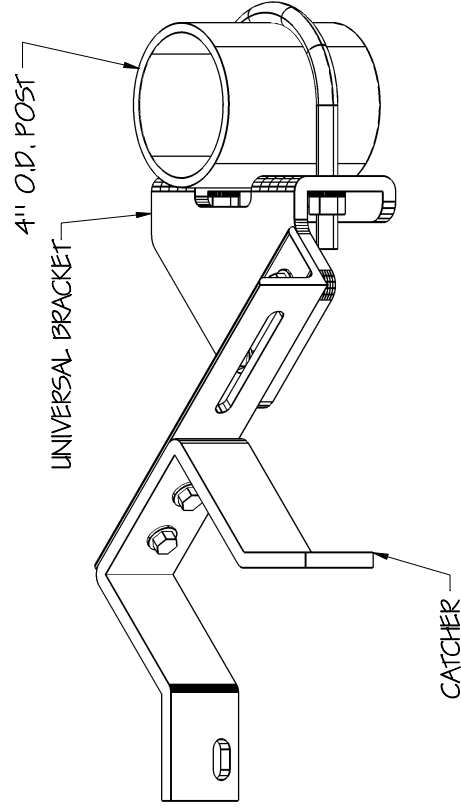
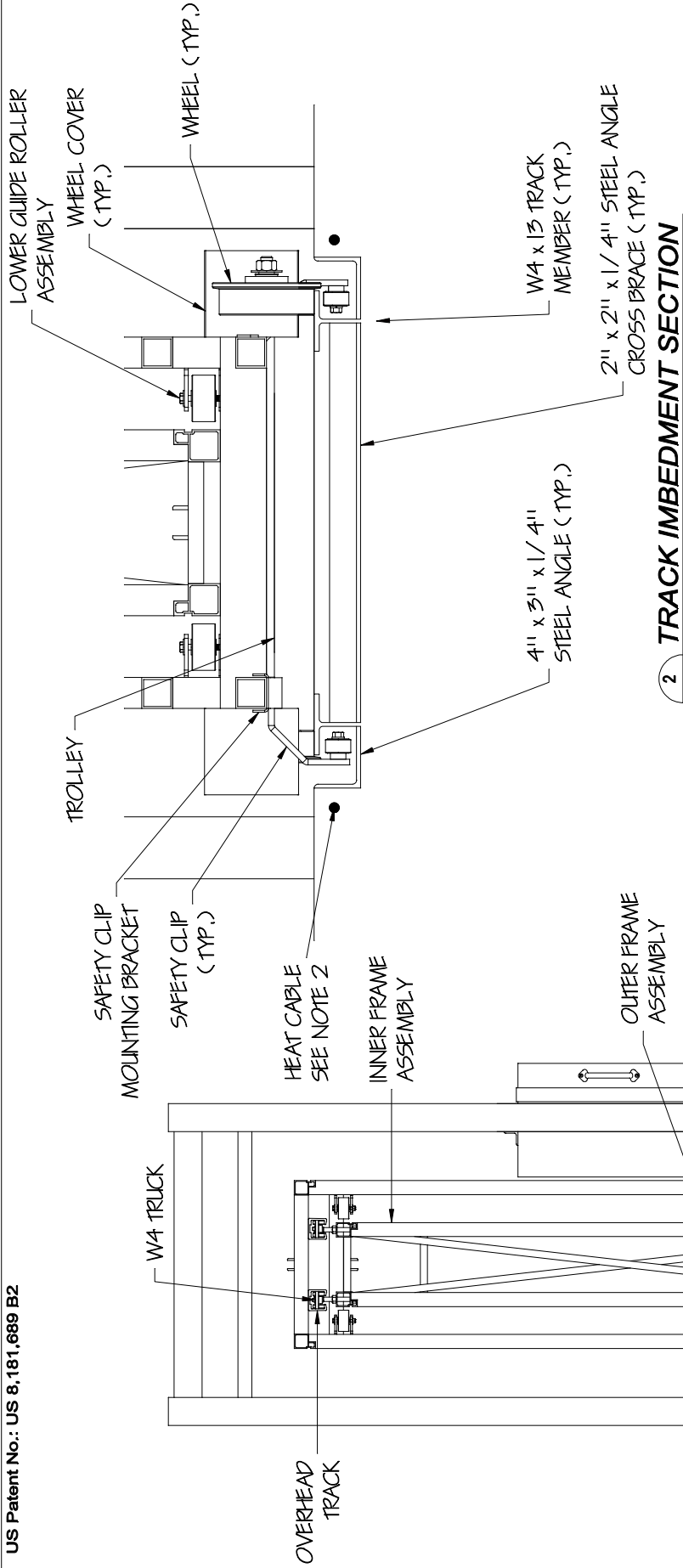


1 PLAN VIEW (GATE OPEN POSITION)
 TBR-100-2R Scale: None



2 ELEVATION (GATE OPEN POSITION)
 TBR-100-2R Scale: None

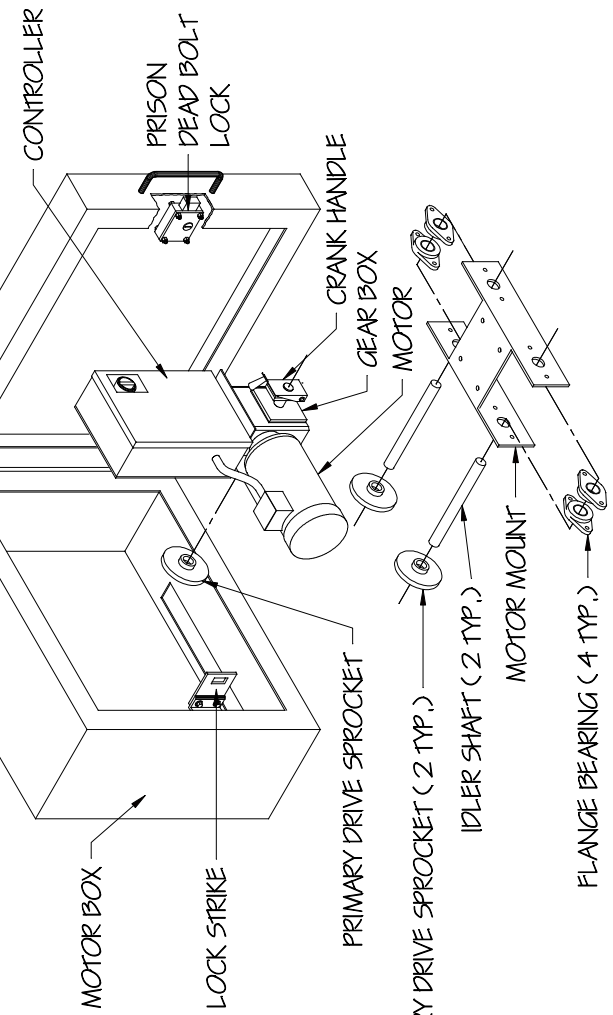
- NOTES:
- CONCRETE FOOTING SHALL BE SIZED AS REQUIRED BY A LOCAL ENGINEER IN ACCORDANCE WITH ALL JOB SPECIFICATIONS.
 - HEAT CABLE SUGGESTED FOR INSTALLATIONS IN AREAS WHERE ICING MAY OCCUR.



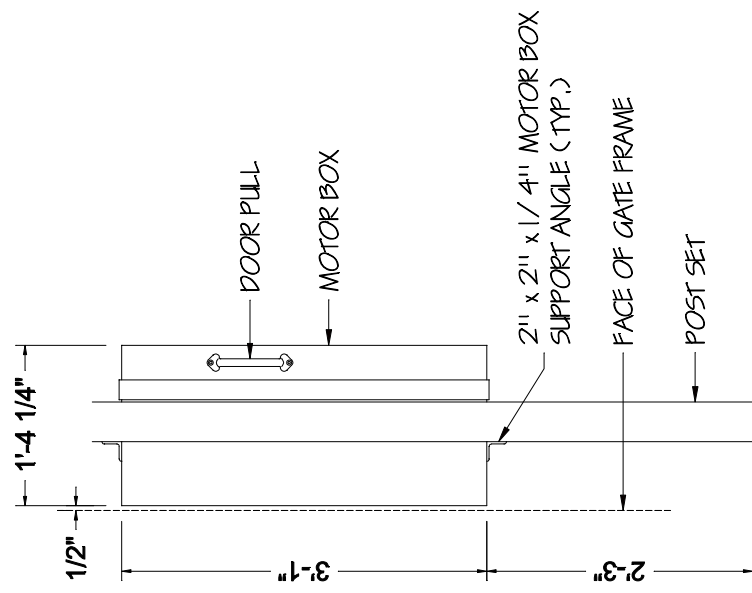
3 CATCHER ASSEMBLY DETAIL
 TBR-100-3 Scale: None

- NOTES:
1. CONCRETE FOOTING SHALL BE SIZED AS REQUIRED BY A LOCAL ENGINEER IN ACCORDANCE WITH ALL JOB SPECIFICATIONS.
 2. HEAT CABLE SUGGESTED FOR INSTALLATIONS IN AREAS WHERE ICING MAY OCCUR.

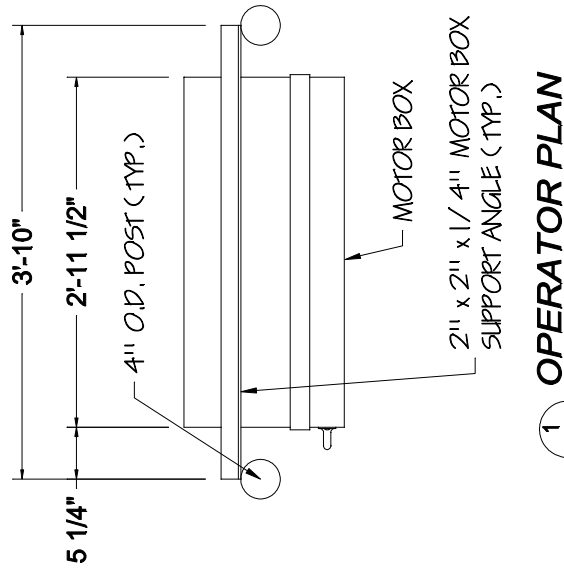
1 ASSEMBLY SECTION
 TBR-100-3 Scale: None



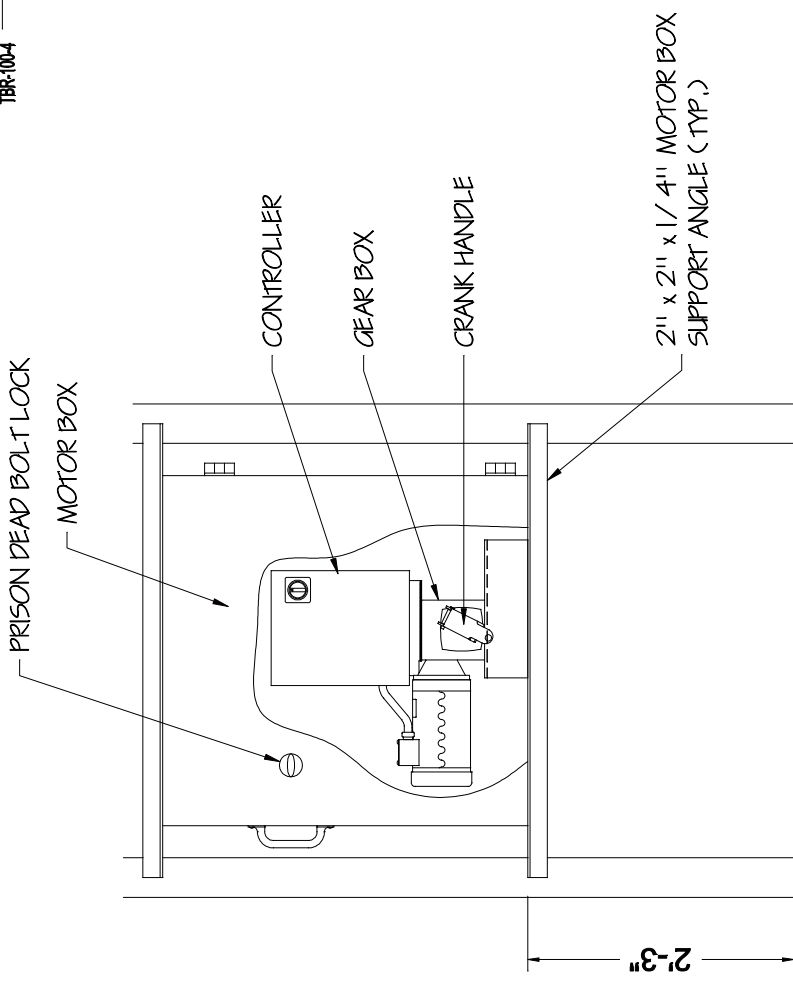
2 OPERATOR DRIVE ASSEMBLY
 Scale: None



4 OPERATOR SIDE ELEVATION
 Scale: None



1 OPERATOR PLAN
 Scale: None



3 OPERATOR FRONT ELEVATION
 Scale: None

