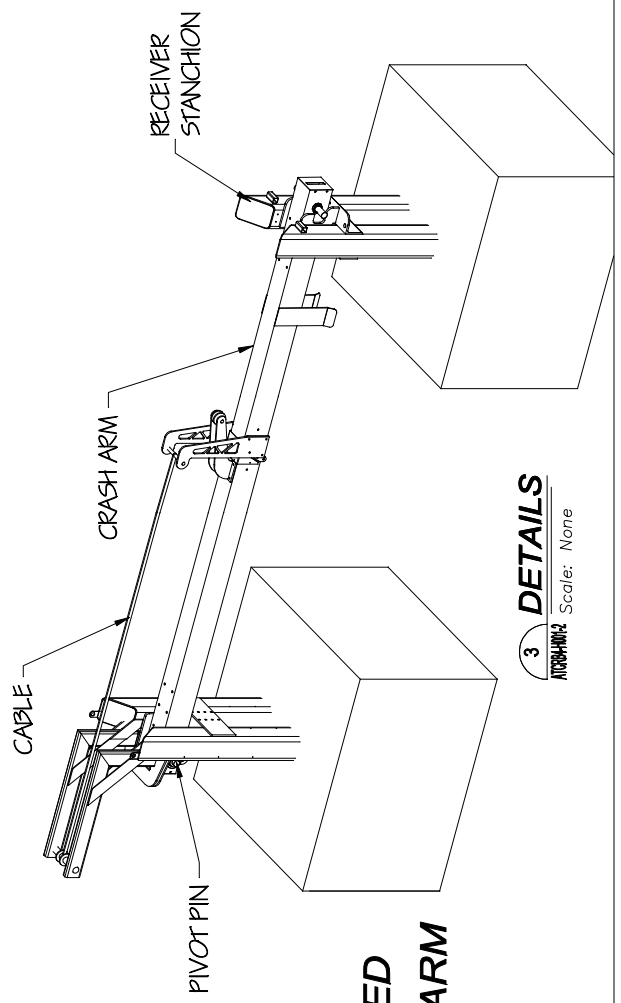


**1 ELEVATION**  
 ATCRB-4 Scale: None

**2 ISOMETRIC**  
 ATCRB-4 Scale: None



**3 DETAILS**  
 ATCRB-4 Scale: None

**K-4 CRASH RATED/ENGINEERED  
 ATCRB-4 ACTUATING BARRIER ARM**

- CLEAR OPENING WIDTHS TO 40'-0".
- ASTM F2656 M30-P2 CRASH RATING