

CRITICAL DIMENSION CHART

A	B	C	D	E	F
CLEAR OPENING	GATE HEIGHT	POST HEIGHT	PICKET SPACING	PICKET HEIGHT	INDIVIDUAL PANEL LENGTH
*	*	B+6"	D	6"	(A/2) + 1-3/4"

NOTES:
 1. GATE IS MILL FINISH.
 2. BARB WIRE IS OPTIONAL.
 3. OPERATOR ENCLOSURE IS PAINTED BLACK.
 4. GATE GUARDS ARE INCLUDED WITH GATE PANELS UP TO 7 FEET TALL. FOR GATES EXCEEDING 7 FEET IN HEIGHT, THE OPERATOR MUST BE ENCLOSED (BY OTHERS) TO PREVENT ENTRAPMENT BY THE GATE WHEN OPEN.

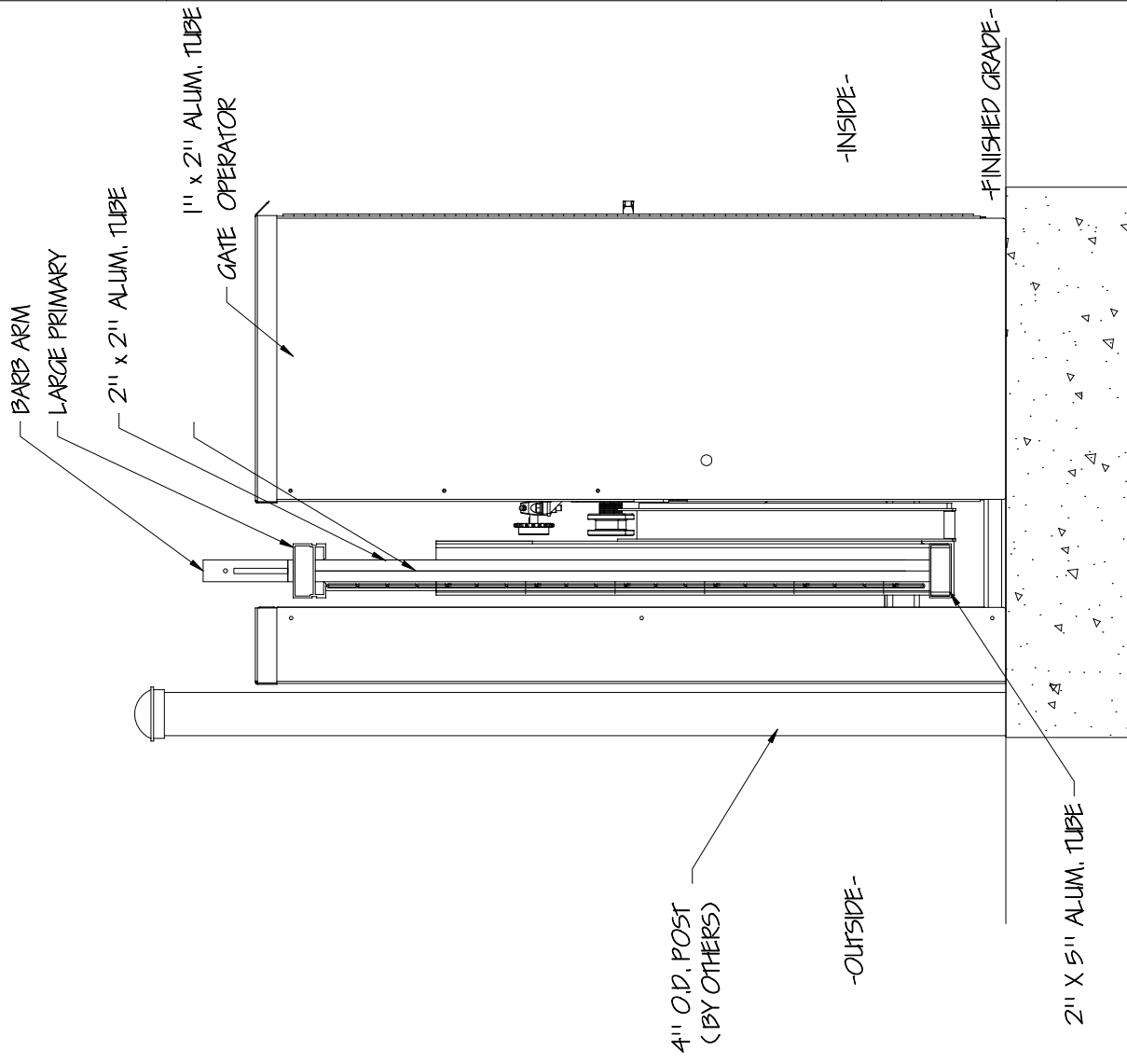
* THE VERTICAL PIVOT GATE IS A COUNTERBALANCED SYSTEM. MAXIMUM CLEAR OPENING WIDTH INCREASES AS HEIGHT DECREASES. CONTACT MANUFACTURER TO VERIFY SIZE.

Tymetal
 SECURITY GATES & PERIMETER SOLUTIONS
 678 WILBUR AVENUE GREENWICH, N.Y. 12834
 PH: (800) 328-4283 - FX: (518) 692-9404

REVISION LEVEL:	R2
SCALE:	As Noted
DATE:	4/1/25
CHECKED BY:	TJC
DATE:	4/1/25
DRAWN BY:	NDB

ARCHITECT/ENGINEER:	
CONTRACTOR:	
SUBJECT:	Chain Link Vertical Pivot Gate Details
PROJECT:	

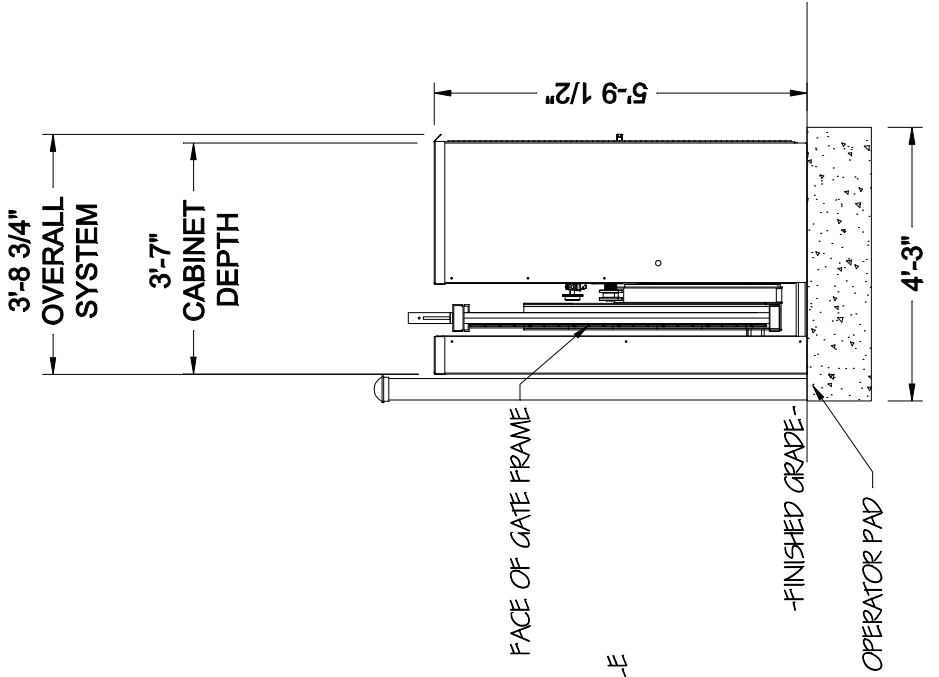
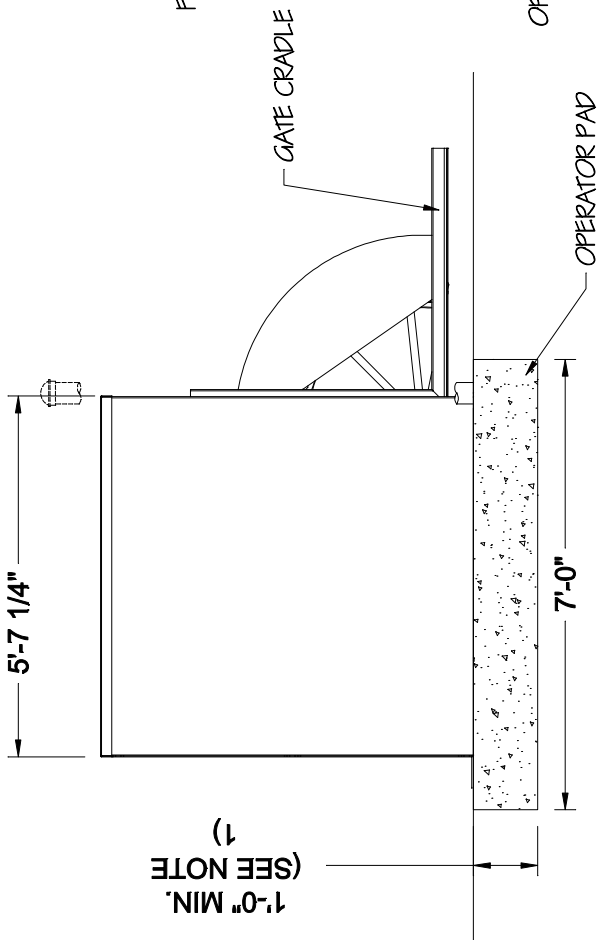
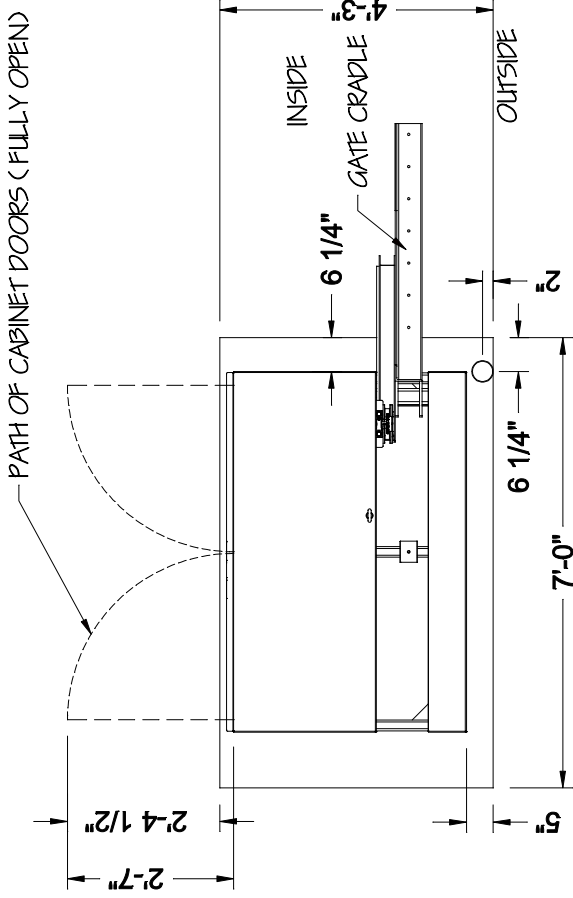
VP-G-005-2
 DRAWING NUMBER:
 SHEET NUMBER:
 2 of 4
 Director\CAD FILE: Gate's Internal Pivot VP-G-005 R2



1 SECTION VIEW
 VP-G-005-2 Scale: None

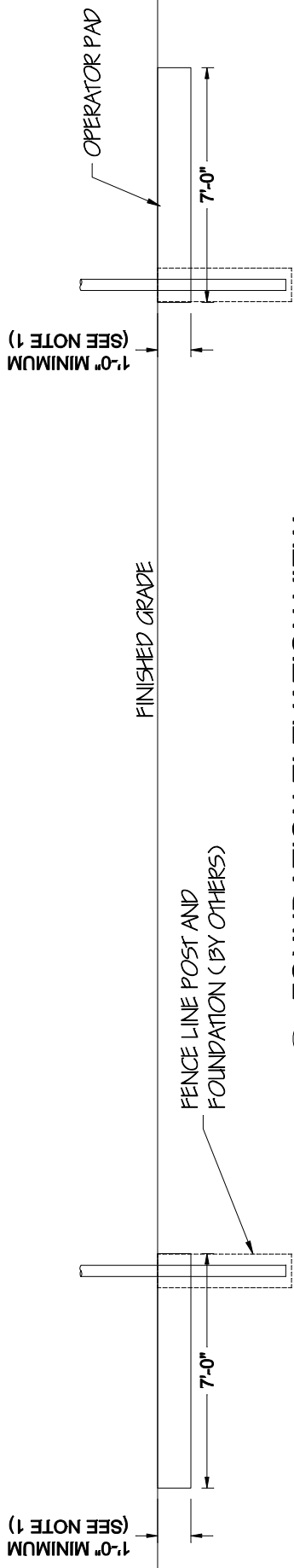
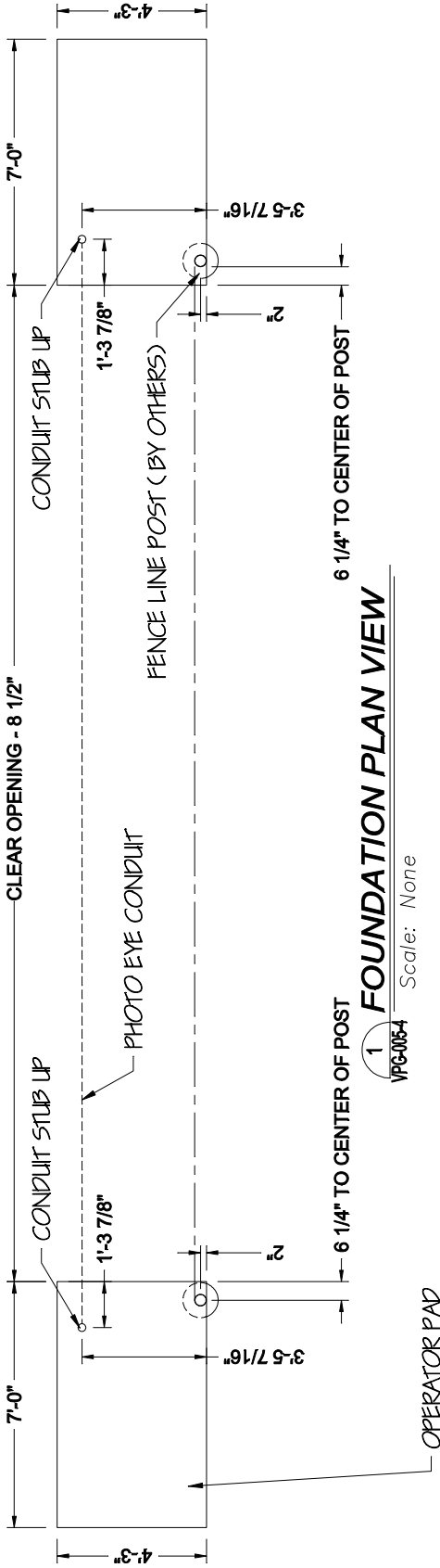
PROJECT:	GENERIC INTERNAL PAD
DRAWN BY:	NDB
DATE:	4/1/25
CHECKED BY:	TJC
SCALE:	AS NOTED
REVISION LEVEL:	R2

Tymetal
 SECURITY GATES & PERIMETER SOLUTIONS
 678 WILBUR AVENUE
 GREENWICH, N.Y. 12834
 PH: (800) 328-4283 - FX: (518) 692-9404



- NOTES:
- OPERATOR PAD DEPTH TO BE IN ACCORDANCE WITH ALL LOCAL CODES AND SOIL CONDITIONS.
 - GATE GUARDS ARE INCLUDED WITH GATE PANELS UP TO 7 FEET TALL. FOR GATES EXCEEDING 7 FEET IN HEIGHT, THE OPERATOR MUST BE ENCLOSED (BY OTHERS) TO PREVENT ENTRAPMENT BY THE GATE WHEN OPEN.

1'-0" MIN.
 (SEE NOTE 1)



- NOTES:**
- FOUNDATIONS SHOWN ARE BASED ON AVERAGE SOIL AND SITE CONDITIONS. FOUNDATIONS MUST BE IN ACCORDANCE WITH ALL LOCAL CODES, AND SHOULD BE REVIEWED BY A LOCAL ENGINEER.
 - OPERATOR INPUT POWER CAN BE 115VAC 8AMP OR 230VAC 4.5AMP.